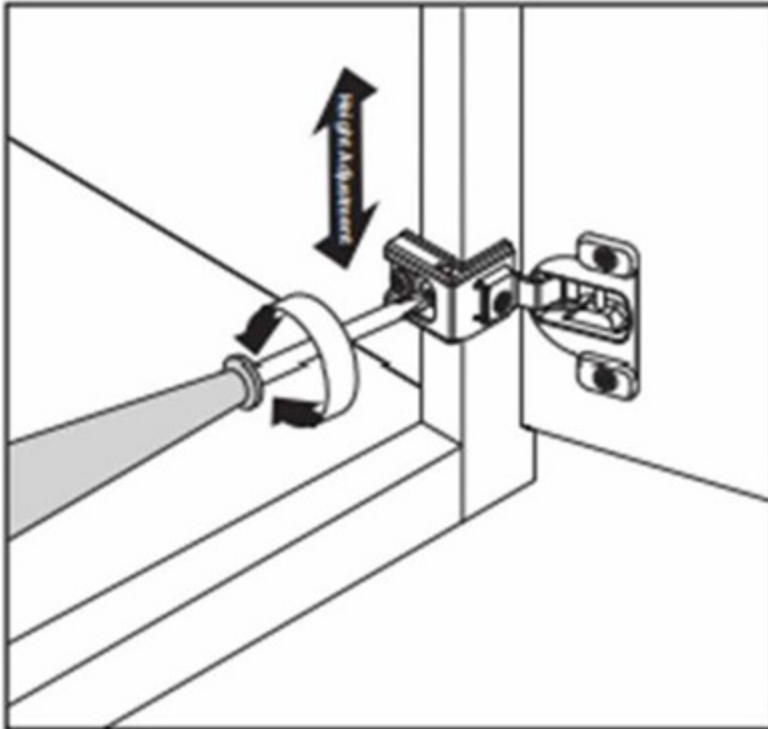


# HINGE ADJUSTMENT GUIDE

Proper adjustment of cabinet door hinges is crucial for ensuring the doors align perfectly with the frame and operate smoothly. Here's a detailed breakdown of hinge adjustments:



## 1

### Height Adjustment (Up/Down)

► **Purpose:**

Aligns the tops and bottoms of the doors with the frame or drawer fronts.

► **Adjustment:**

- Locate the **\*\*height adjustment screw\*\*** on the hinge plate (typically the screw farthest from the hinge arm).
- Loosen the screw slightly to slide the hinge plate up or down along the mounting slot.
- Tighten the screw once the desired alignment is achieved.

## 2

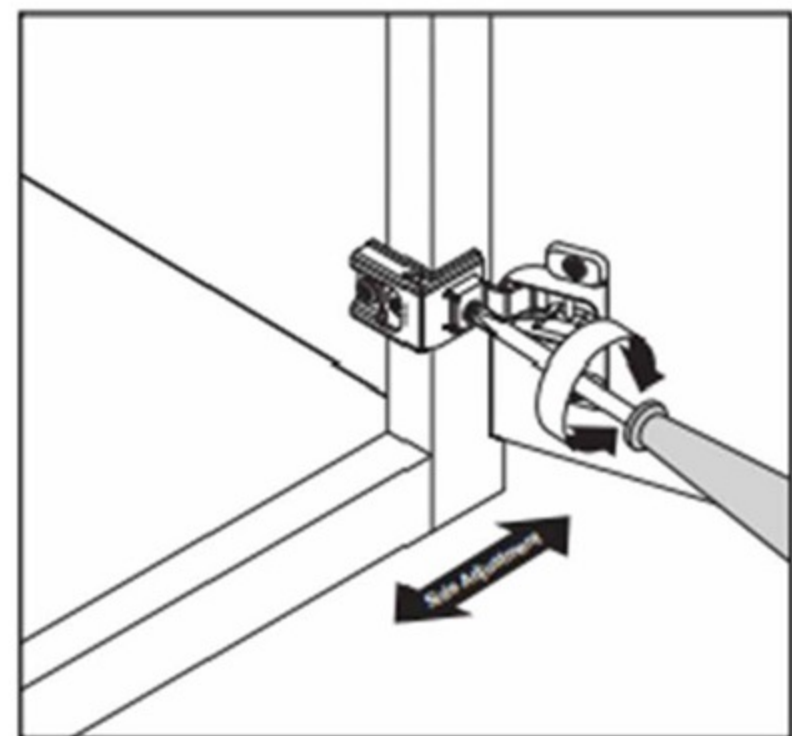
### Side-to-Side Adjustment (Gap Alignment)

► **Purpose:**

Adjusts the door's position side-to-side to control the gap between doors or between the door and the frame. This helps accommodate humidity changes or correct misaligned gaps.

► **Adjustment:**

- Use the **\*\*side adjustment screw\*\*** (often the screw in the middle of the hinge arm).
- Turn the screw clockwise to move the door closer to the hinge side, or counterclockwise to move the door farther from the hinge side.



# 3

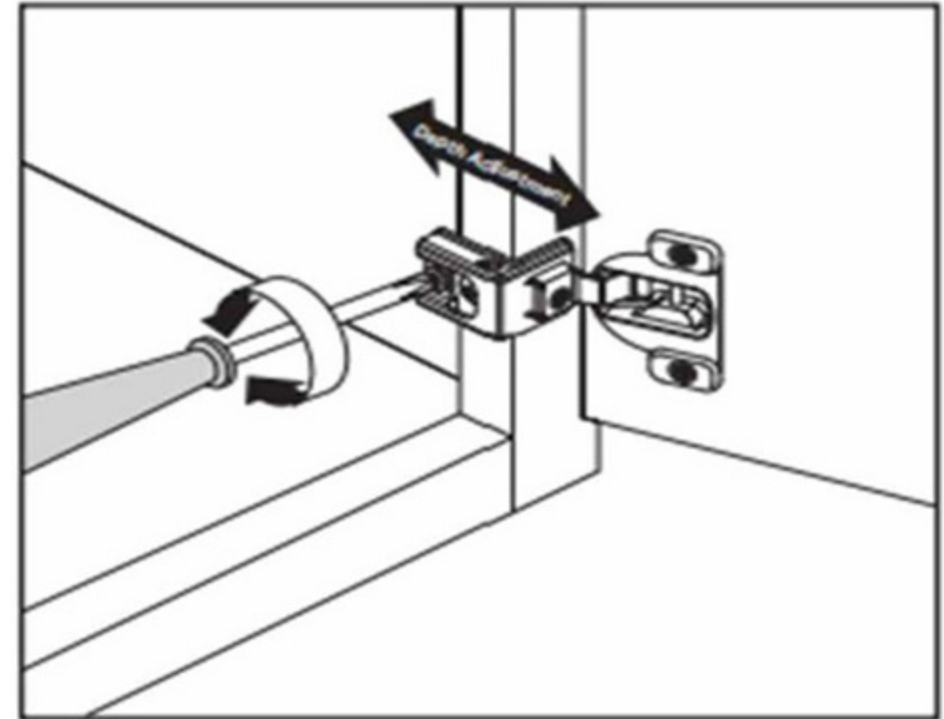
## Depth Adjustment (In/Out)

### ► Purpose:

Positions the door closer to or farther from the cabinet face frame. Useful for compensating for "racking" or slight warping in the cabinet box.

### ► Adjustment:

- Locate the **height adjustment screw** on the hinge plate (typically the screw farthest from the hinge arm).
- Turn the screw clockwise to bring the door closer to the face frame, or counterclockwise to move the door away from the face frame.



## ● Tips for Optimal Adjustment

- 1 Adjust hinges gradually, one at a time, to avoid overcorrection.
- 2 After all adjustments, open and close the doors to ensure smooth operation and check alignment again.
- 3 If multiple doors are installed, begin with corner or end doors and work inward for consistent alignment.
- 4 Use a level or straightedge to verify the doors are evenly aligned across the cabinet.

By fine-tuning these three adjustments, you can ensure your cabinet doors fit perfectly, operate smoothly, and maintain a polished appearance!