



SPECIFICATIONS






B

CONTENTS

01	Bridge Wall
11	Refrigerator Wall
15	Wall Cabinets
21	Wall Corner Cabinets
25	Glass Doors
26	Specialty Wall Cabinets
37	Custom Hoods
43	Base Cabinets
51	Drawer Base Cabinets
57	Sink Bases
60	Base Corner Cabinets
64	Specialty Base Cabinets
69	Tall Pantry Cabinets
72	Oven Cabinets
82	Fillers
84	Moldings
99	Panels
104	Valances/Corbles/Posts
109	ADA Cabinets
115	Vanity Cabinets
128	Mirrors
129	Insert Accessories

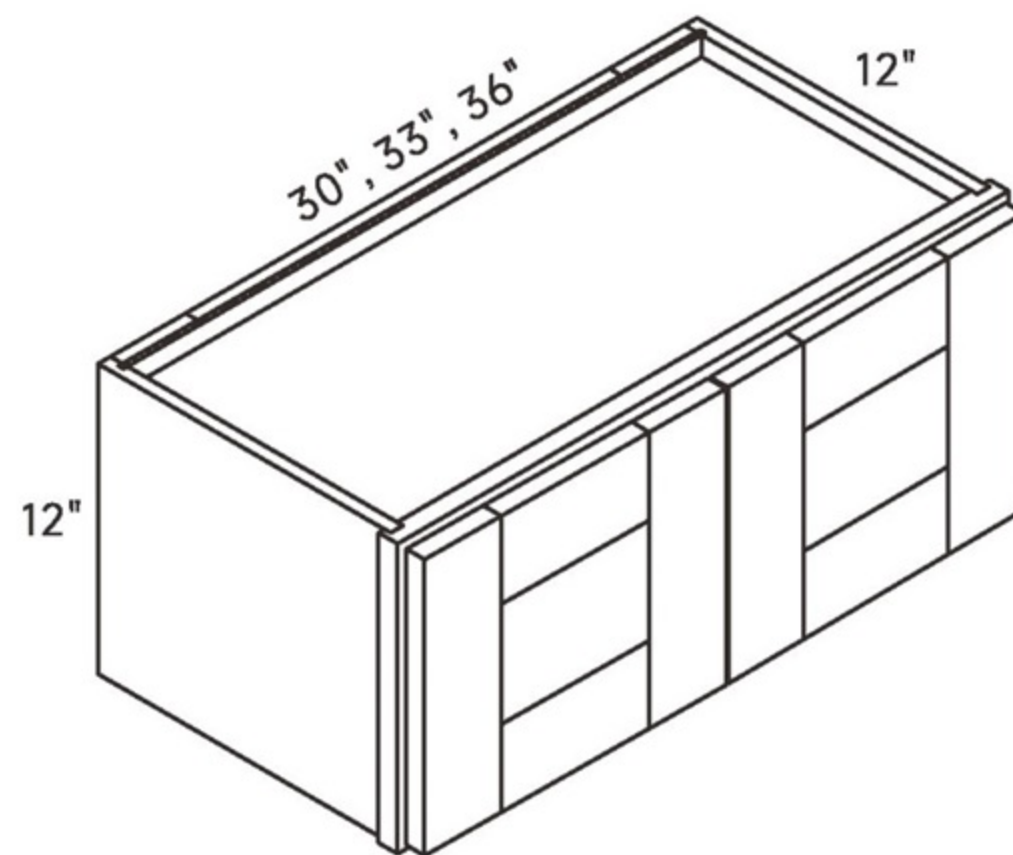


802
CABINETRY

WALLI CABINET

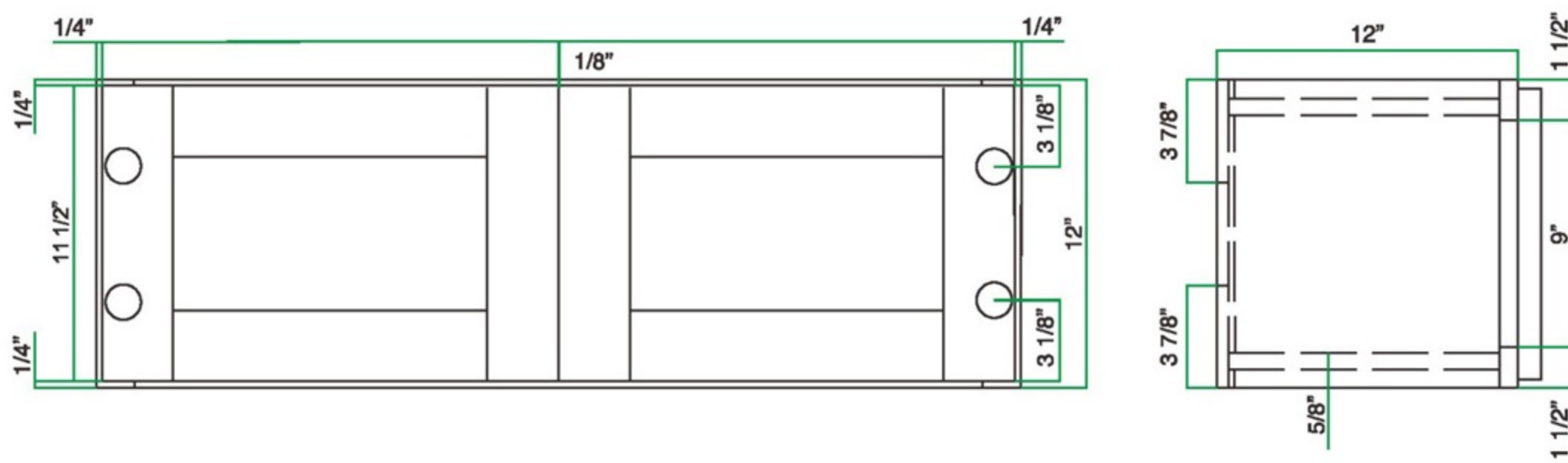


Wall Cabinets 12" Height



BRIDGE WALL

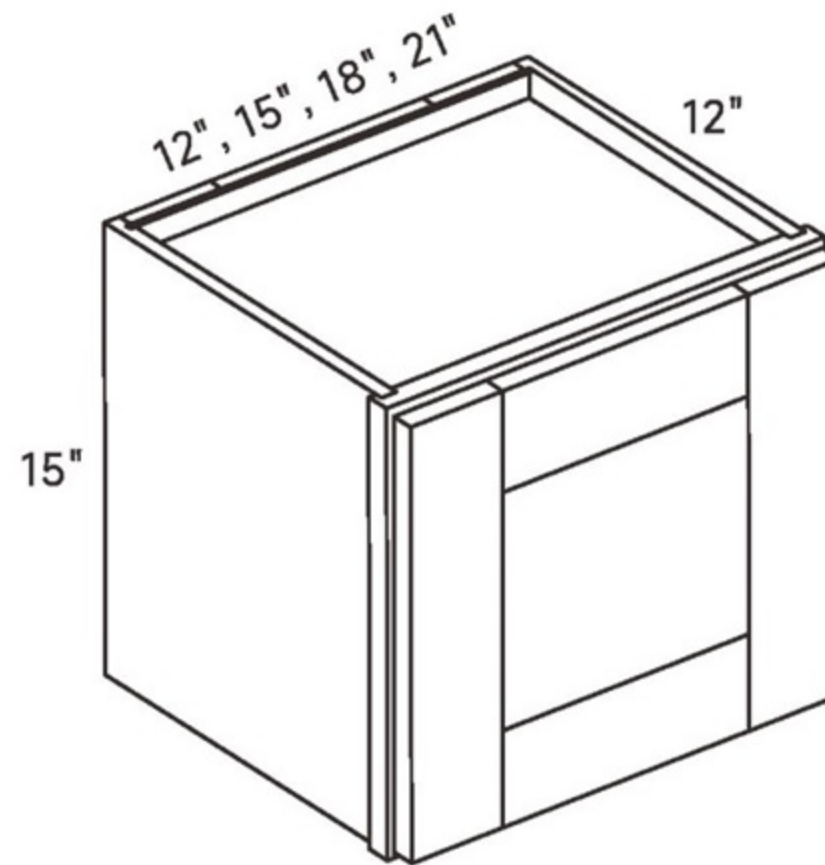
Cabinet Dimensions



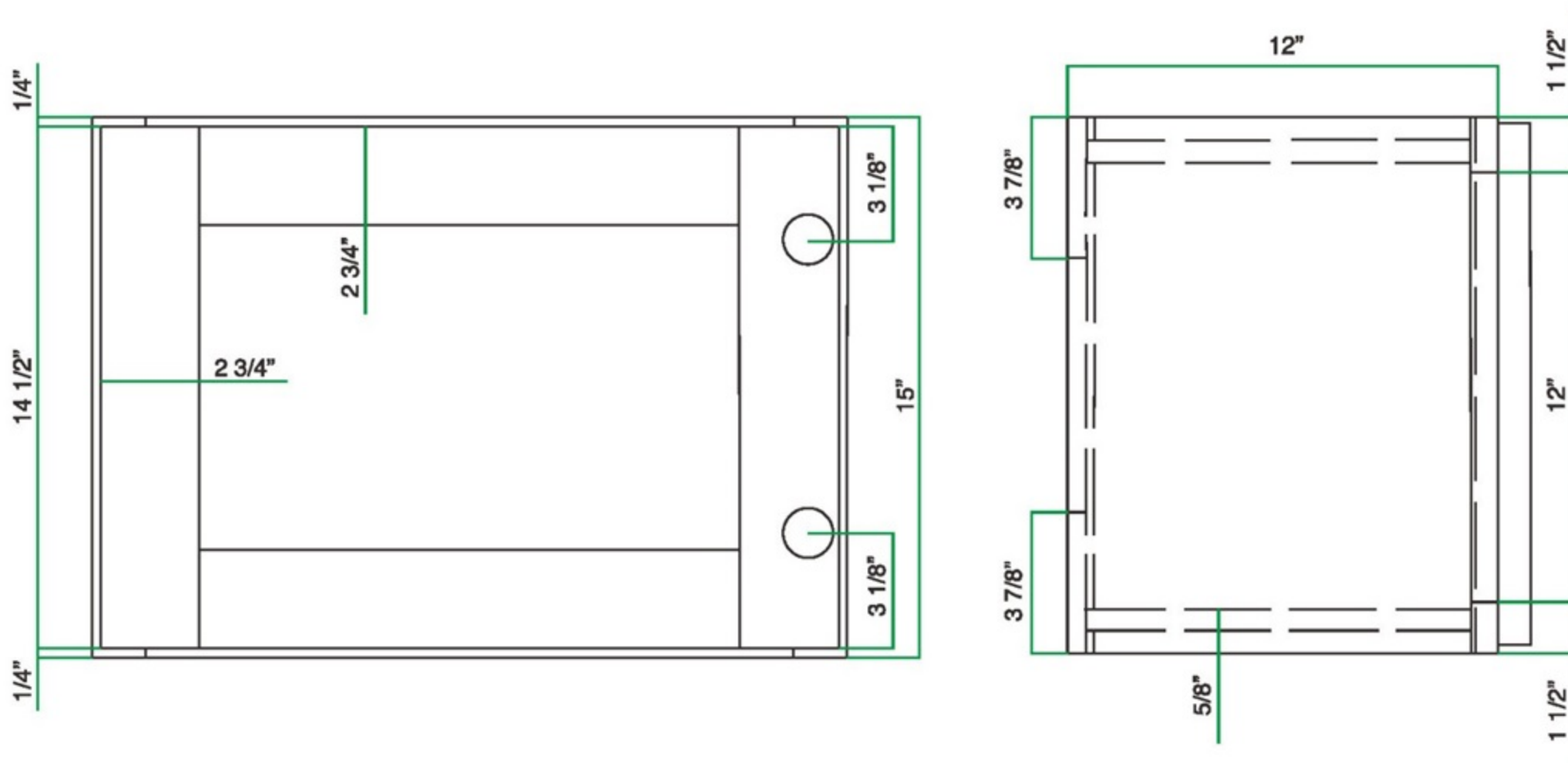
SKU	W		H		D		#OF DOOR	Opening		Door	
								Width	Height	Width	Height
W3012	30		12		12		2	27	9	14 3/4	11 1/2
W3312	33		12		12		2	30	9	16 1/4	11 1/2
W3612	36		12		12		2	33	9	17 3/4	11 1/2



Wall Cabinets 15" Height



Cabinet Dimensions



SKU	W	H	D	#OF DOOR	Opening		Door	
					Width	Height	Width	Height
W1215*	12	15	12	1	9	12	11 1/2	14 1/2
W1515*	15	15	12	1	12	12	14 1/2	14 1/2
W1815*	18	15	12	1	15	12	17 1/2	14 1/2
W2115*	21	15	12	1	18	12	20 1/2	14 1/2
PGDW1215**	12	15	12	1	9	12	11 1/2	14 1/2
PGDW1515**	15	15	12	1	12	12	14 1/2	14 1/2
PGDW1815**	18	15	12	1	15	12	17 1/2	14 1/2
PGDW2115**	21	15	12	1	18	12	20 1/2	14 1/2

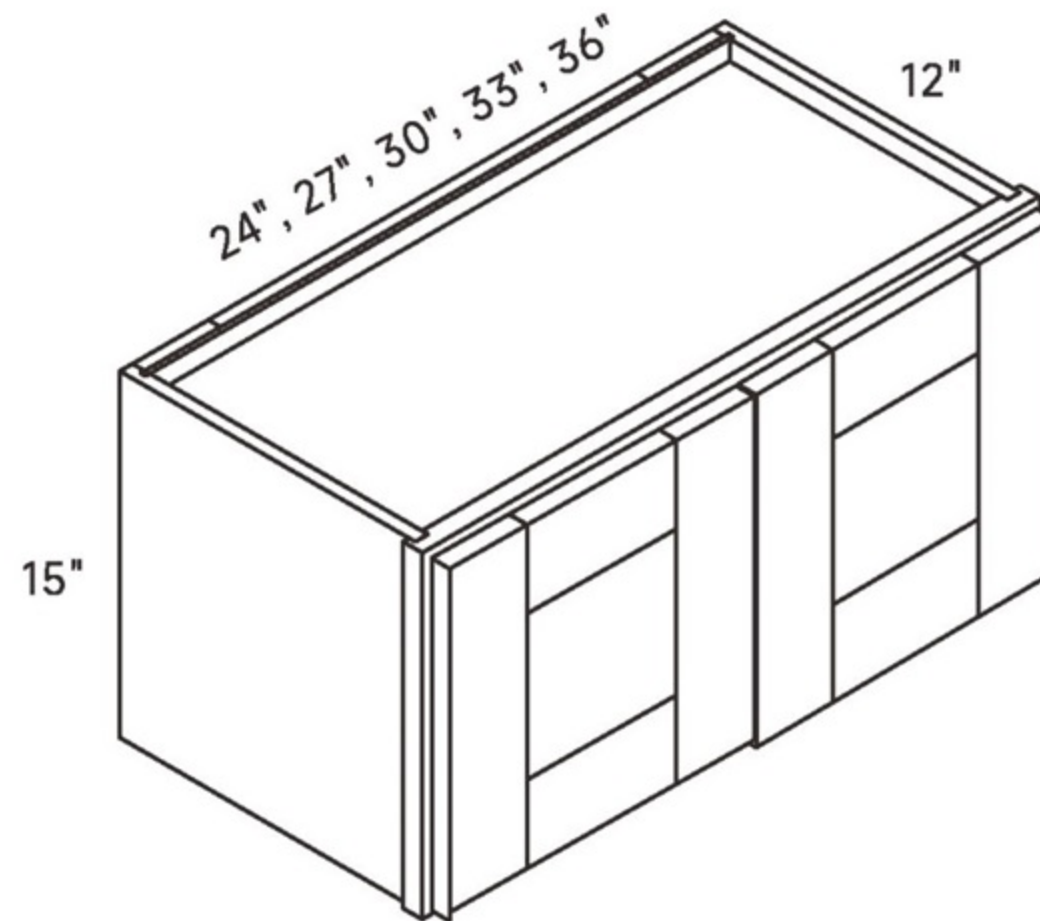
*Limited Stock. Call for Availability.

Glass doors are available and sold separately.

**Custom- come with interior match and glass doors. Additional lead time required.

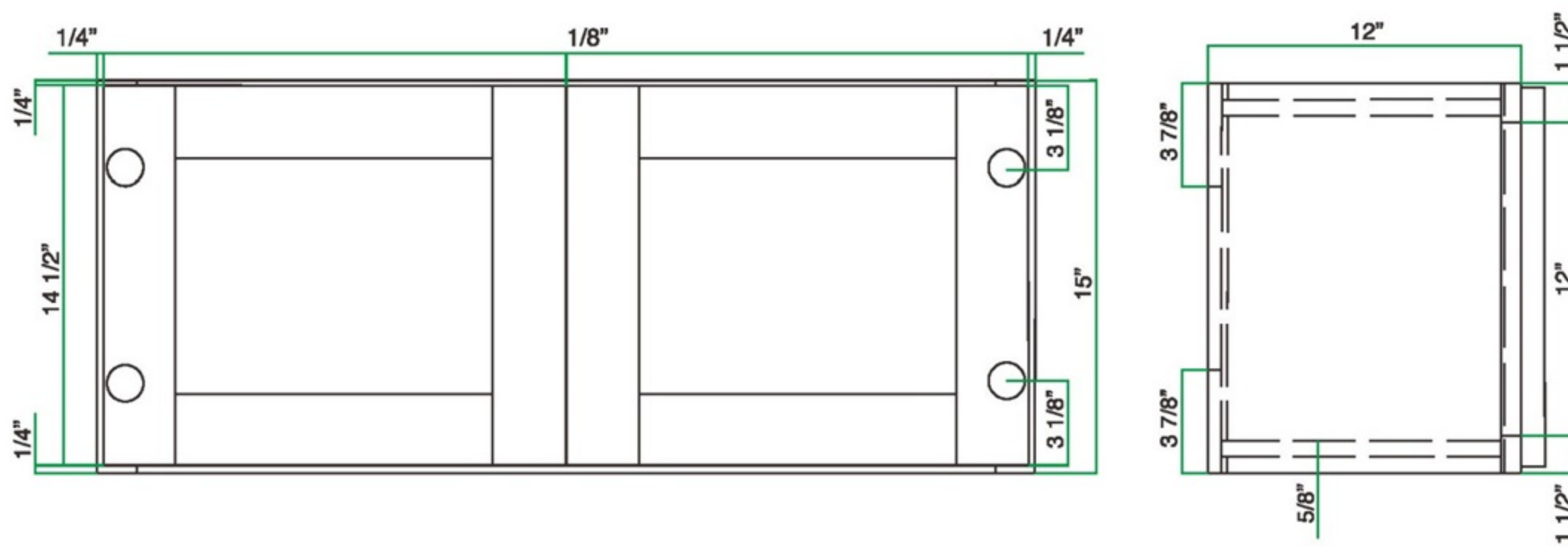


Wall Cabinets 15" Height



BRIDGE WALL

Cabinet Dimensions



SKU	W	I	H	I	D	#OF DOOR	Opening		Door	
							Width	Height	Width	Height
W2415*	24		15		12	2	21	12	11 3/4	14 1/2
W2715*	27		15		12	2	24	12	13 1/4	14 1/2
W3015	30		15		12	2	27	12	14 3/4	14 1/2
W3315	33		15		12	2	30	12	16 1/4	14 1/2
W3615	36		15		12	2	33	12	17 3/4	14 1/2
PGDW2415**	24		15		12	2	21	12	11 3/4	14 1/2
PGDW2715**	27		15		12	2	24	12	13 1/4	14 1/2
PGDW3015**	30		15		12	2	27	12	14 3/4	14 1/2
PGDW3315**	33		15		12	2	30	12	16 1/4	14 1/2
PGDW3615**	36		15		12	2	33	12	17 3/4	14 1/2

*Limited Stock. Call for Availability.

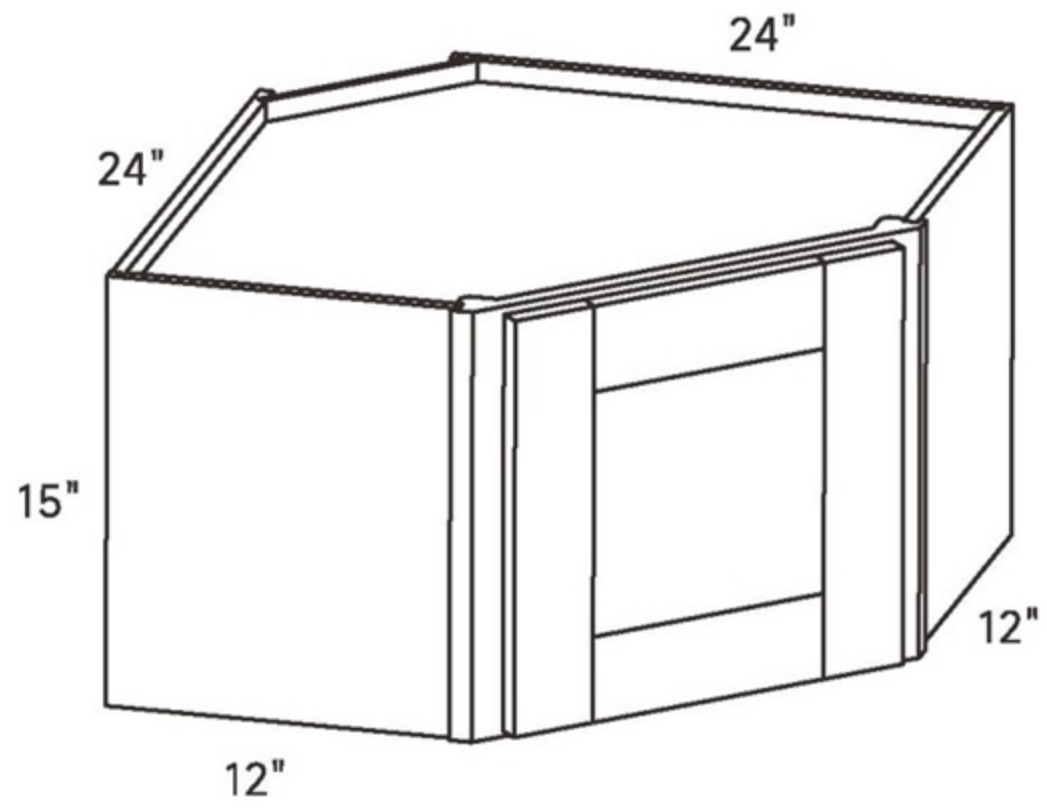
Glass doors are available and sold separately.

**Custom- come with interior match and glass doors. Additional lead time required.

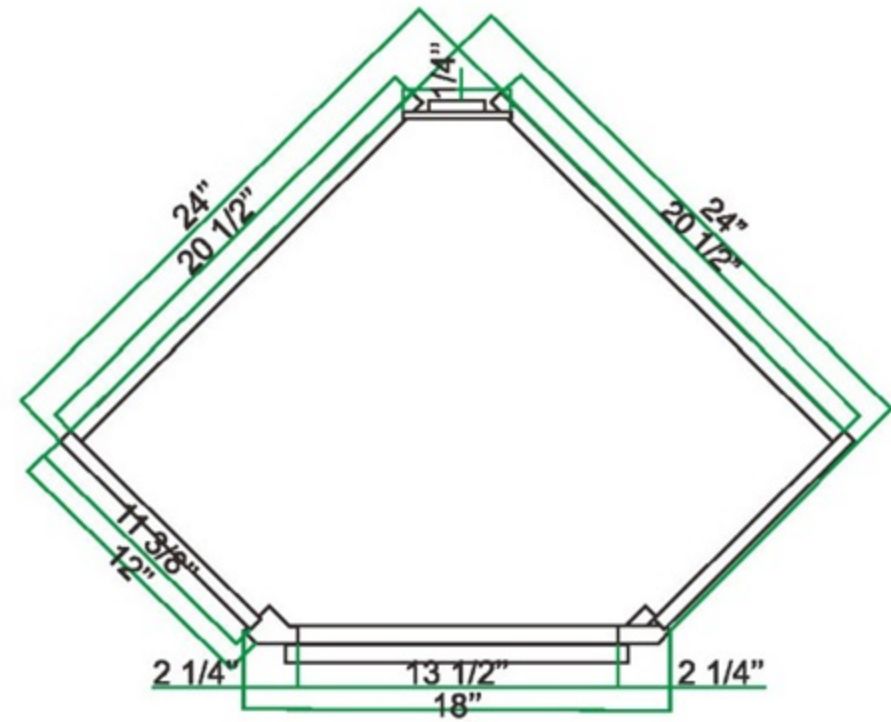
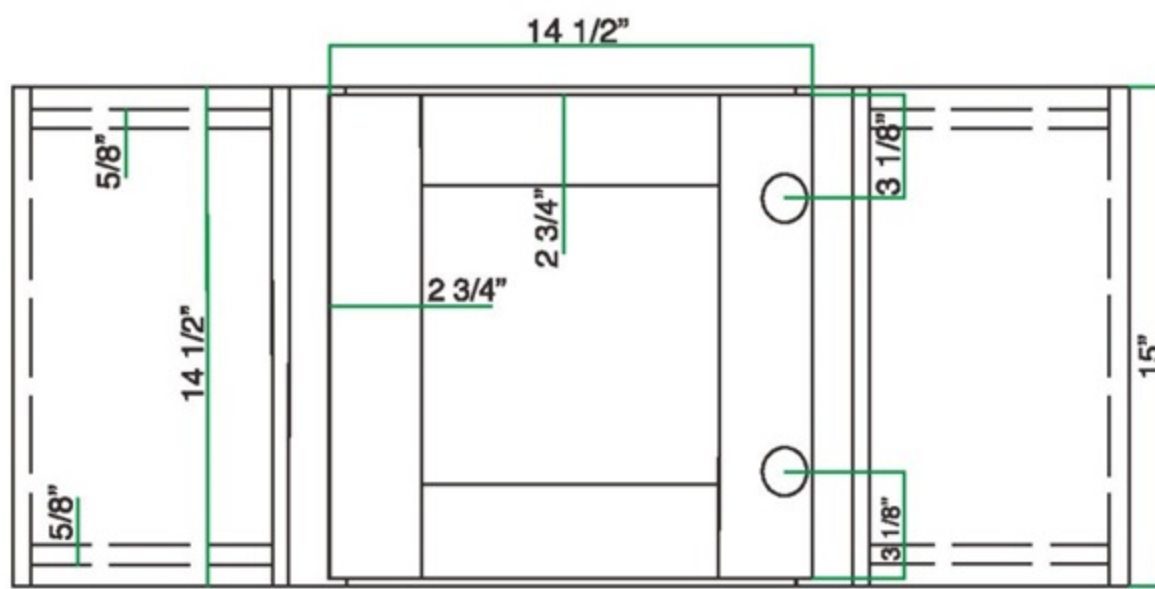


Wall Corner Cabinets 15" Height

WALL CORNER



Cabinet Dimensions



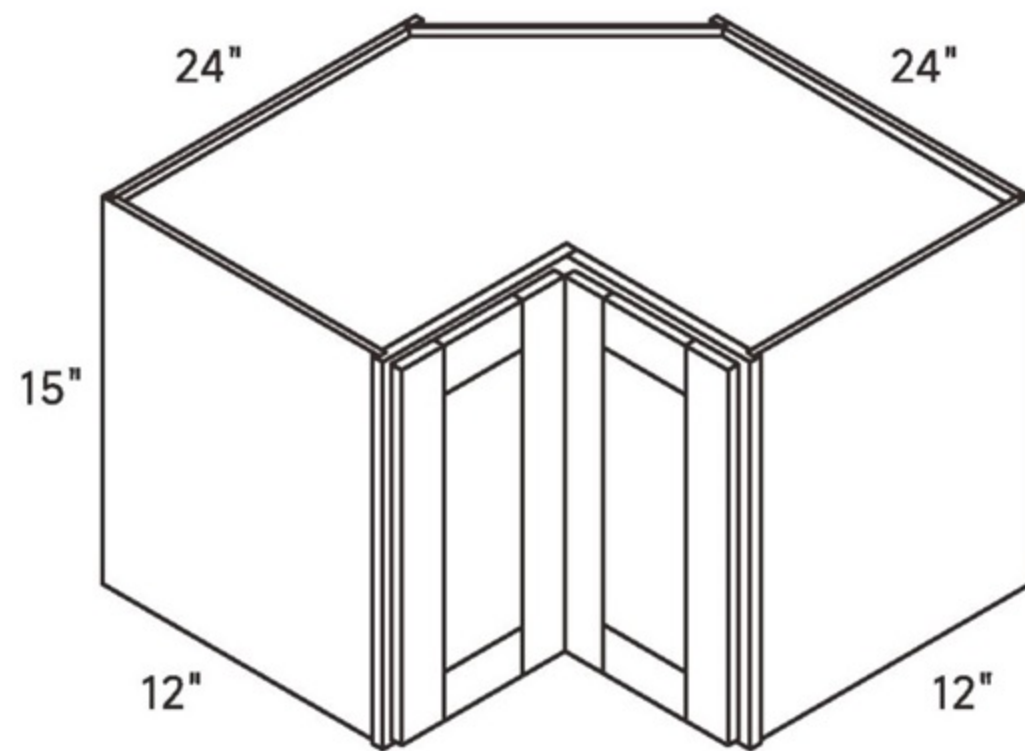
SKU	W	H	D	#OF DOOR	Opening		Door	
					Width	Height	Width	Height
WDC2415*	24	15	24	1	13 1/2	12	14 1/2	14 1/2
PGDWDC2415**	24	15	24	1	13 1/2	12	14 1/2	14 1/2

*Limited Stock. Call for Availability.

Glass doors are available and sold separately.

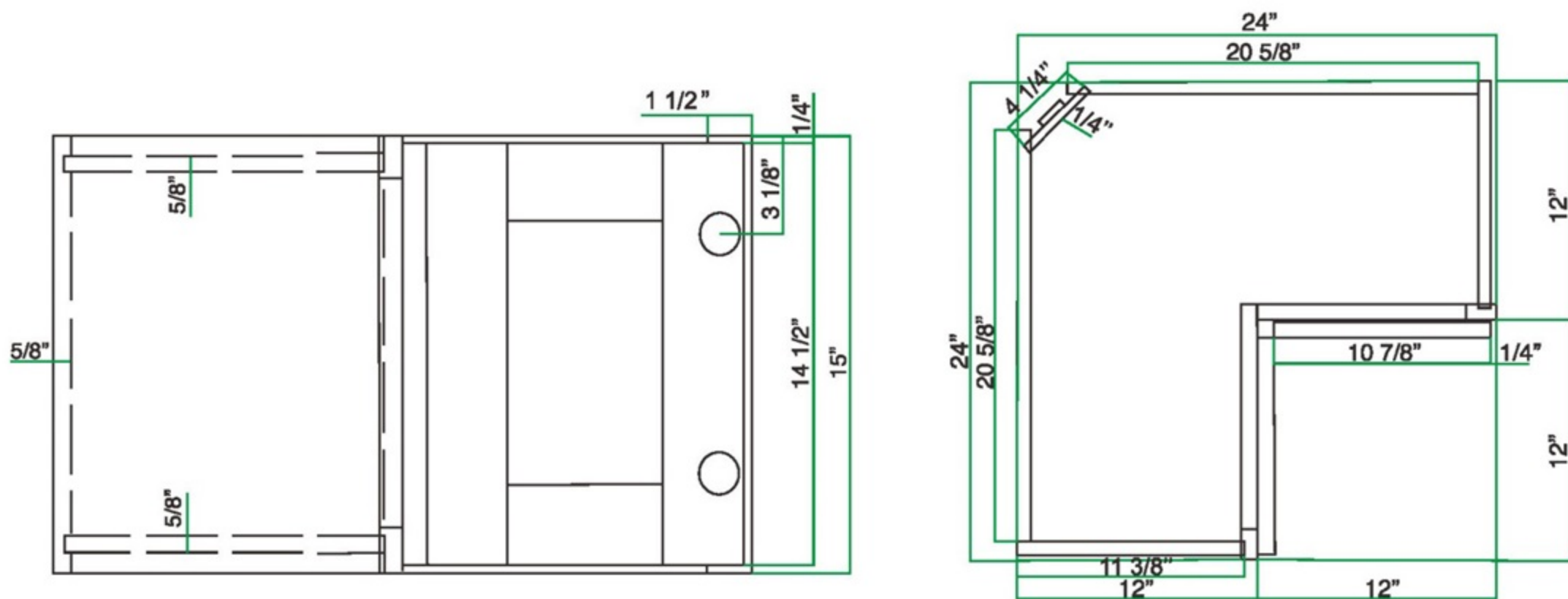
**Custom- come with interior match and glass doors. Additional lead time required.

Wall Corner Cabinets 15" Height



WALL CORNER

Cabinet Dimensions



SKU	W	I	H	I	D	#OF DOOR	Opening		Door	
							Width	Height	Width	Height
W2415*	24		15		24	1		12		14 1/2
PGDWPC2415**	24		15		24	1		12		14 1/2

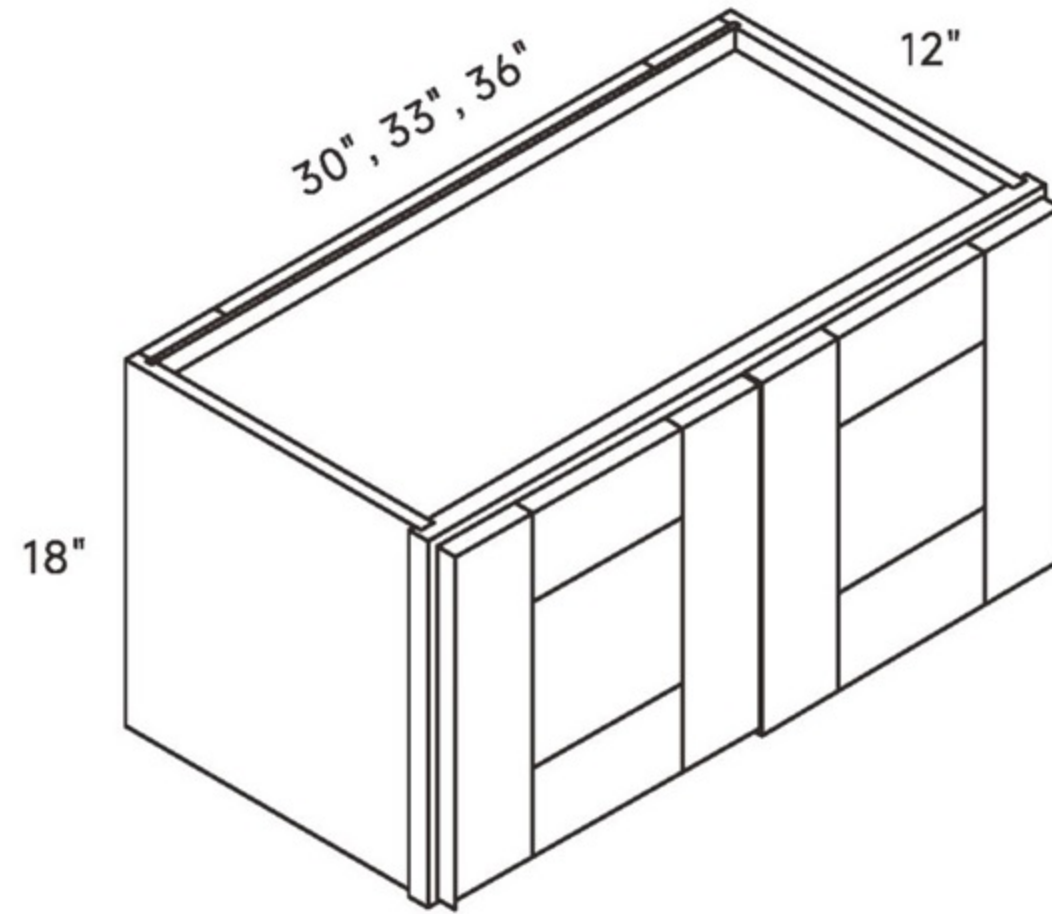
*Limited Stock. Call for Availability.

Glass doors are available and sold separately.

**Custom- come with interior match and glass doors. Additional lead time required.

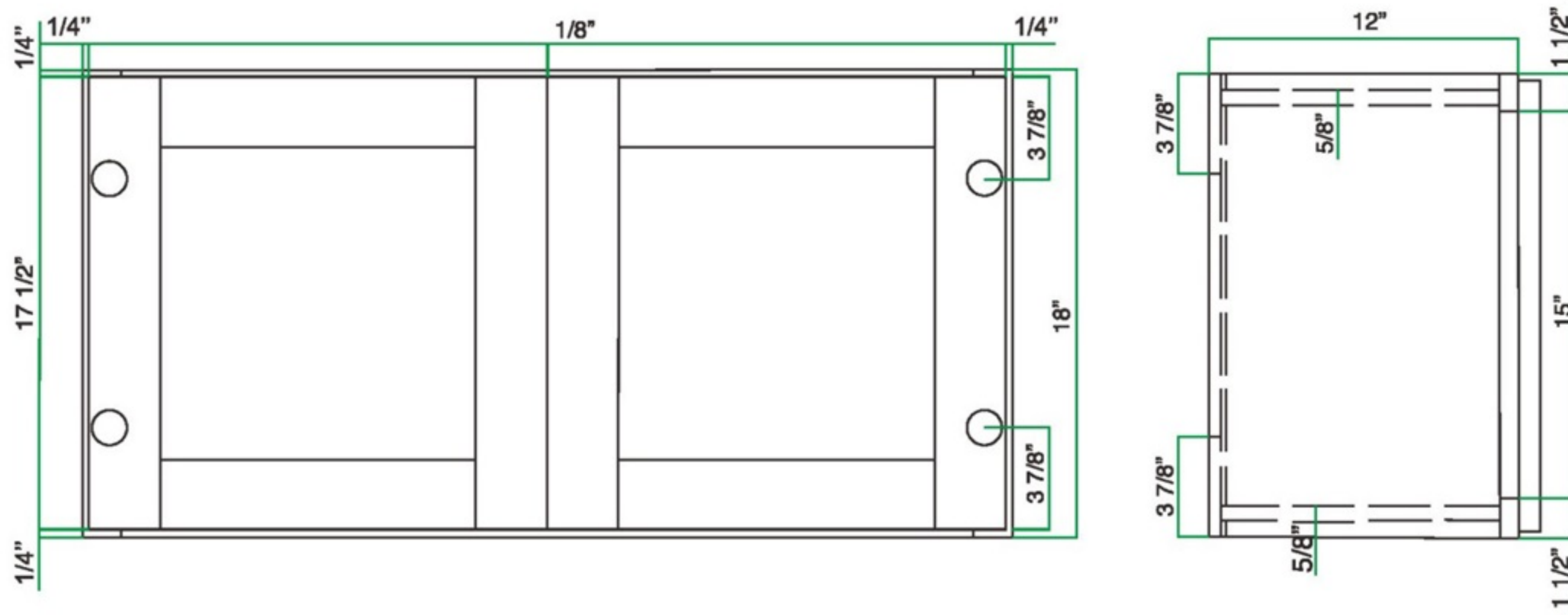


Wall Cabinets 18" Height



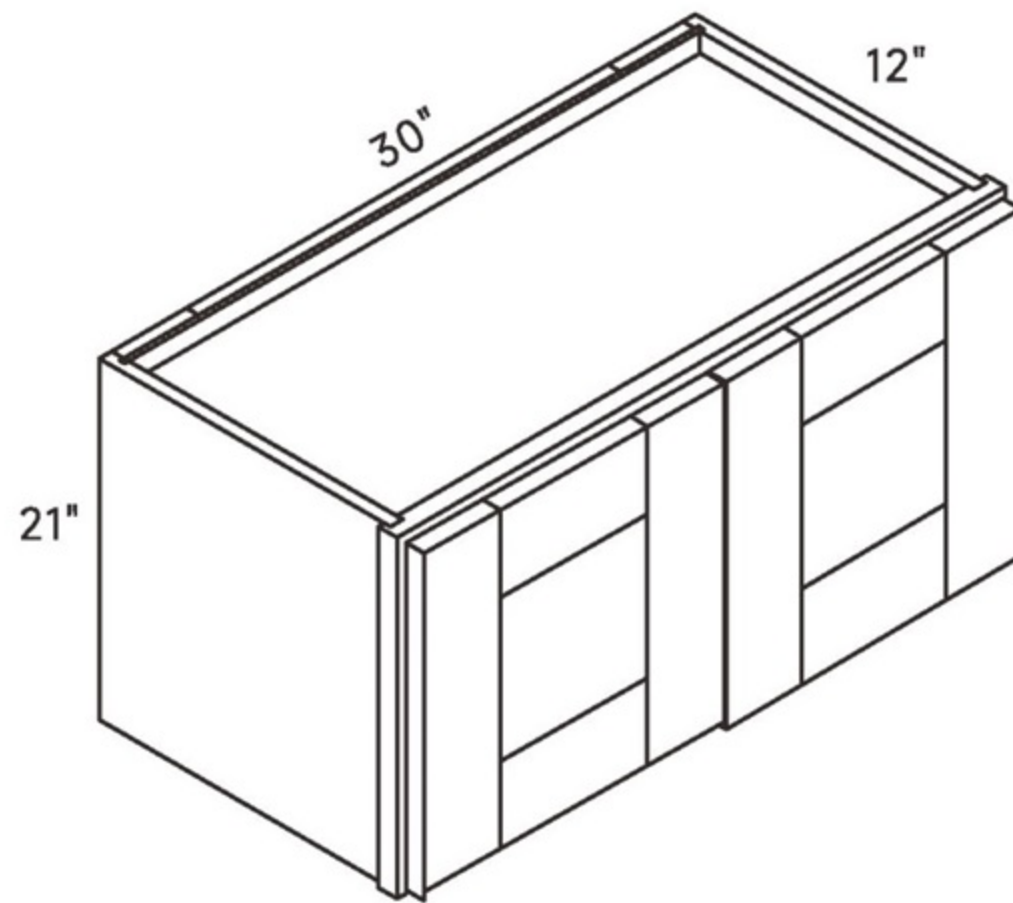
BRIDGE WALL

Cabinet Dimensions



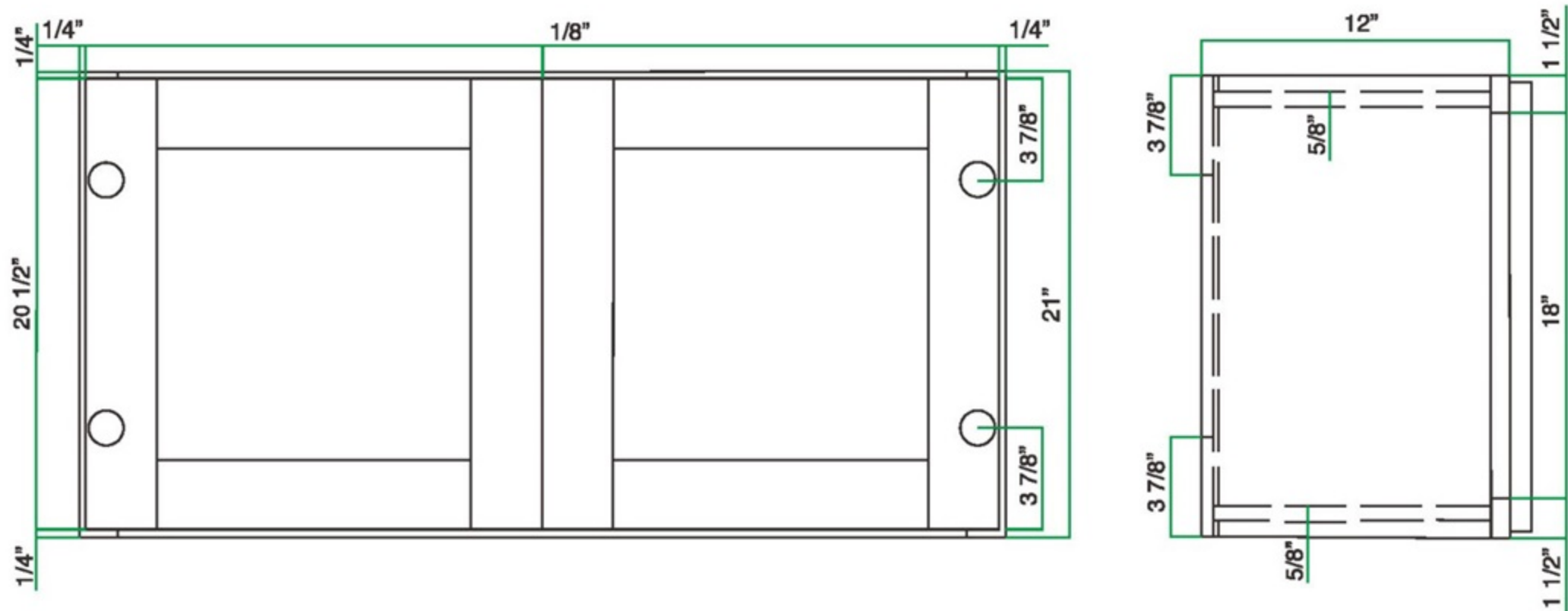
SKU	W	I	H	I	D	I	Door	Door Opening		Door	
								Width	Height	Width	Height
W3018	30		18		12		2	27	15	14 3/4	17 1/2
W3318	33		18		12		2	30	15	16 1/4	17 1/2
W3618	36		18		12		2	33	15	17 3/4	17 1/2

Wall Cabinets 21" Height



BRIDGE WALL

Cabinet Dimensions

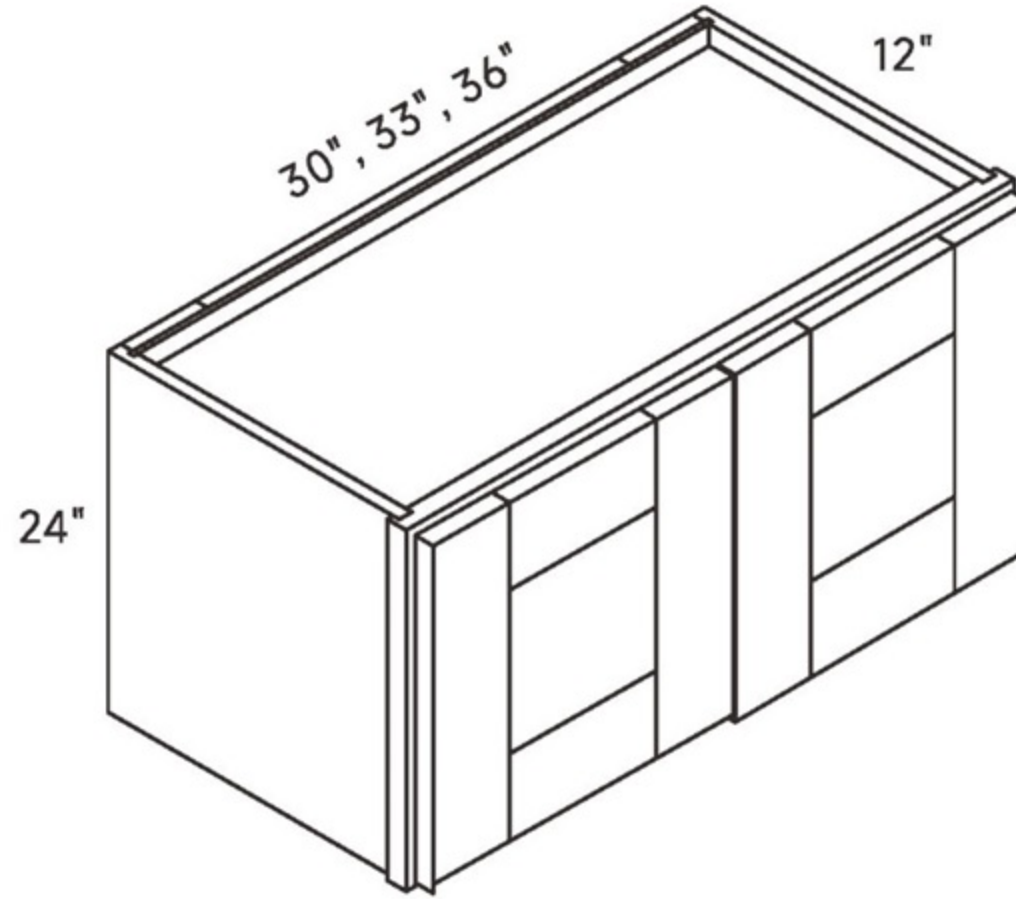


SKU	W	D	H	D	Door	Shelves	Door Opening		Door	
							Width	Height	Width	Height
W3021	30	12	21	12	2	0	27	18	14 3/4	20 1/2

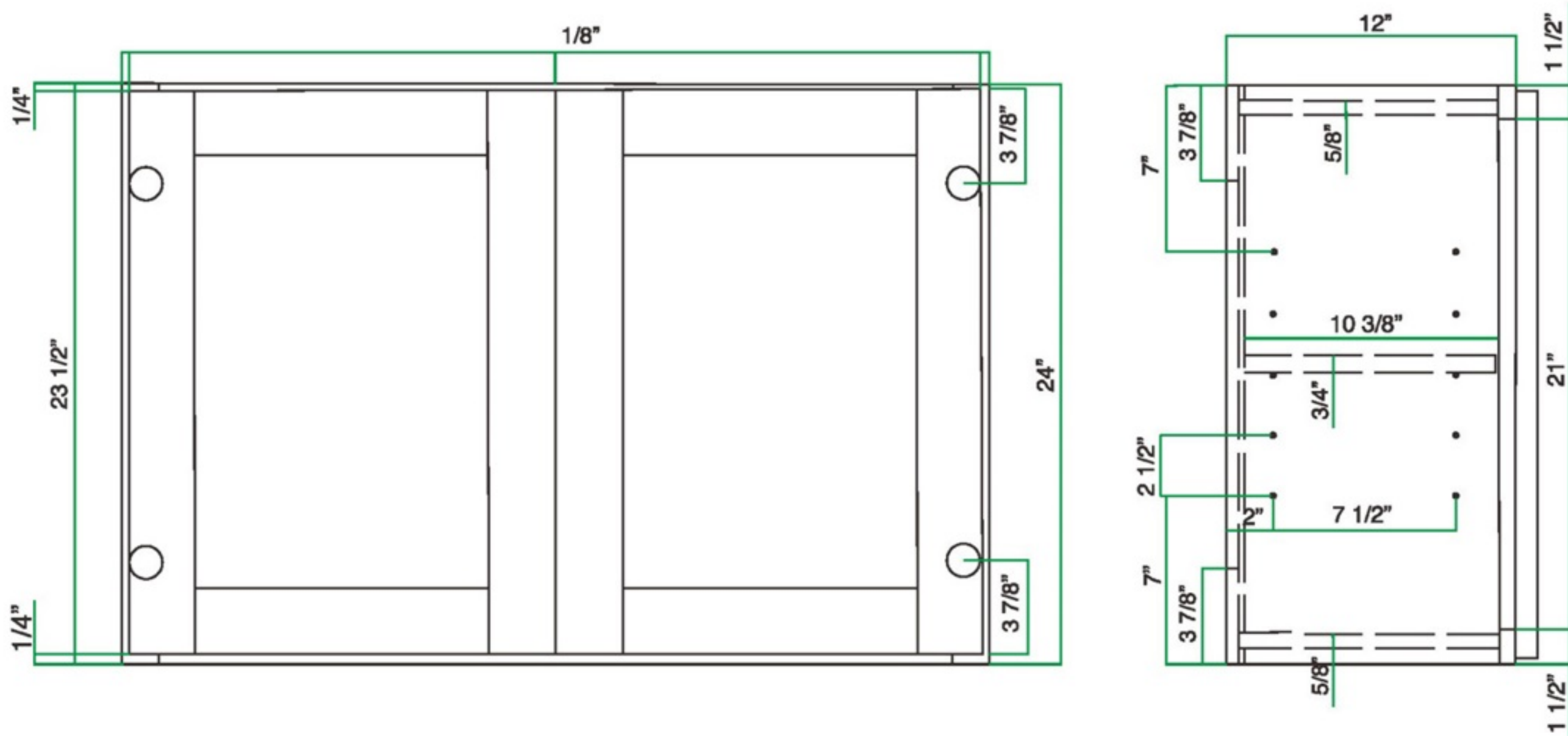


Wall Cabinets 24" Height

BRIDGE WALL

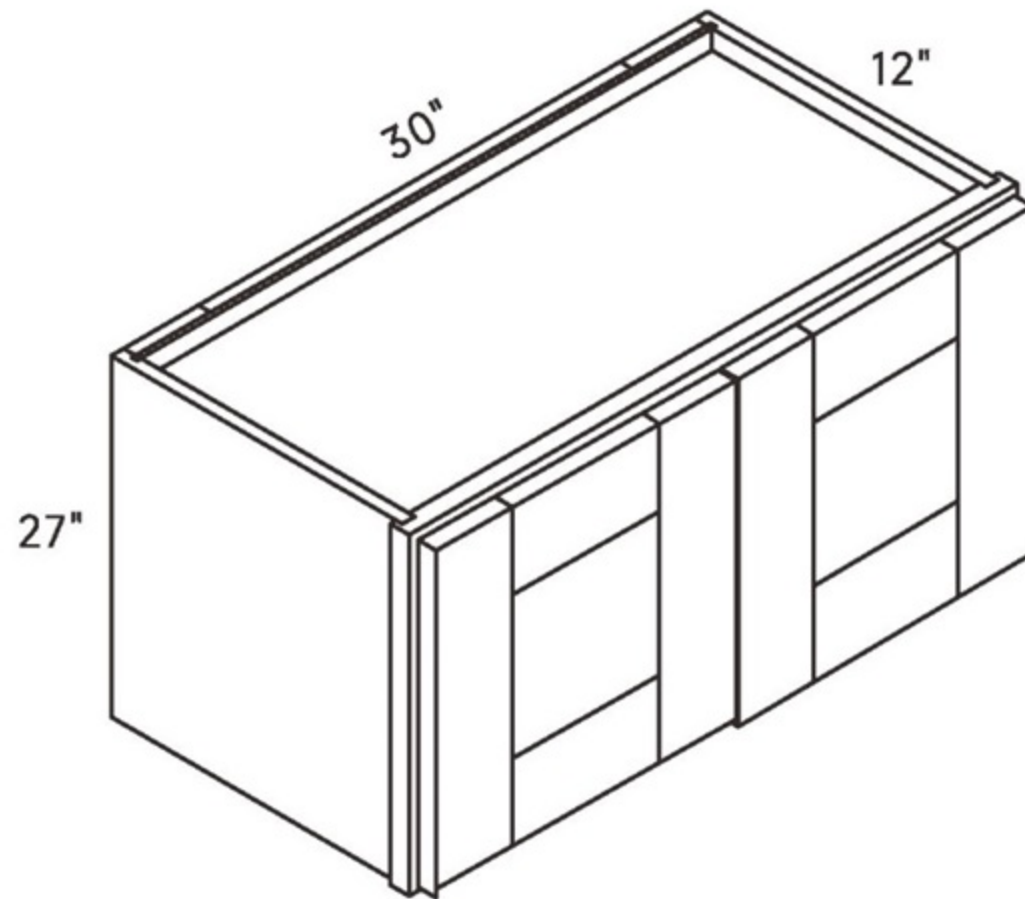


Cabinet Dimensions



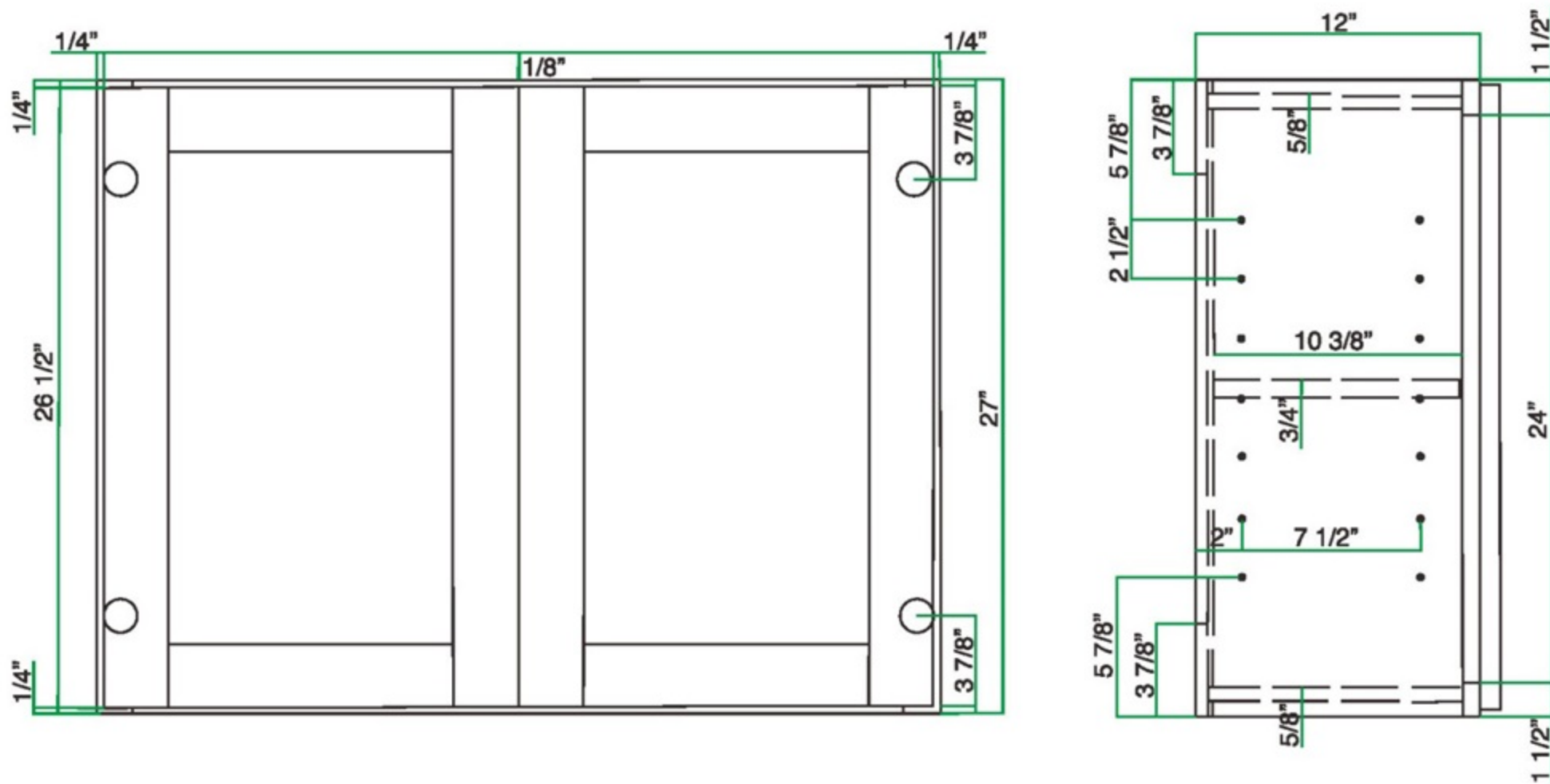
SKU	W	H	D	Door	Shelves	Door Opening		Door	
						Width	Height	Width	Height
W3024	30	24	12	2	1	27	21	14 3/4	23 1/2
W3324	33	24	12	2	1	30	21	16 1/4	23 1/2
W3624	36	24	12	2	1	33	21	17 3/4	23 1/2

Wall Cabinets 27" Height



BRIDGE WALL

Cabinet Dimensions



SKU	W	D	H	D	Door	Shelves	Door Opening		Door	
							Width	Height	Width	Height
W3027	30	12	27	12	2	1	27	24	14 3/4	26 1/2

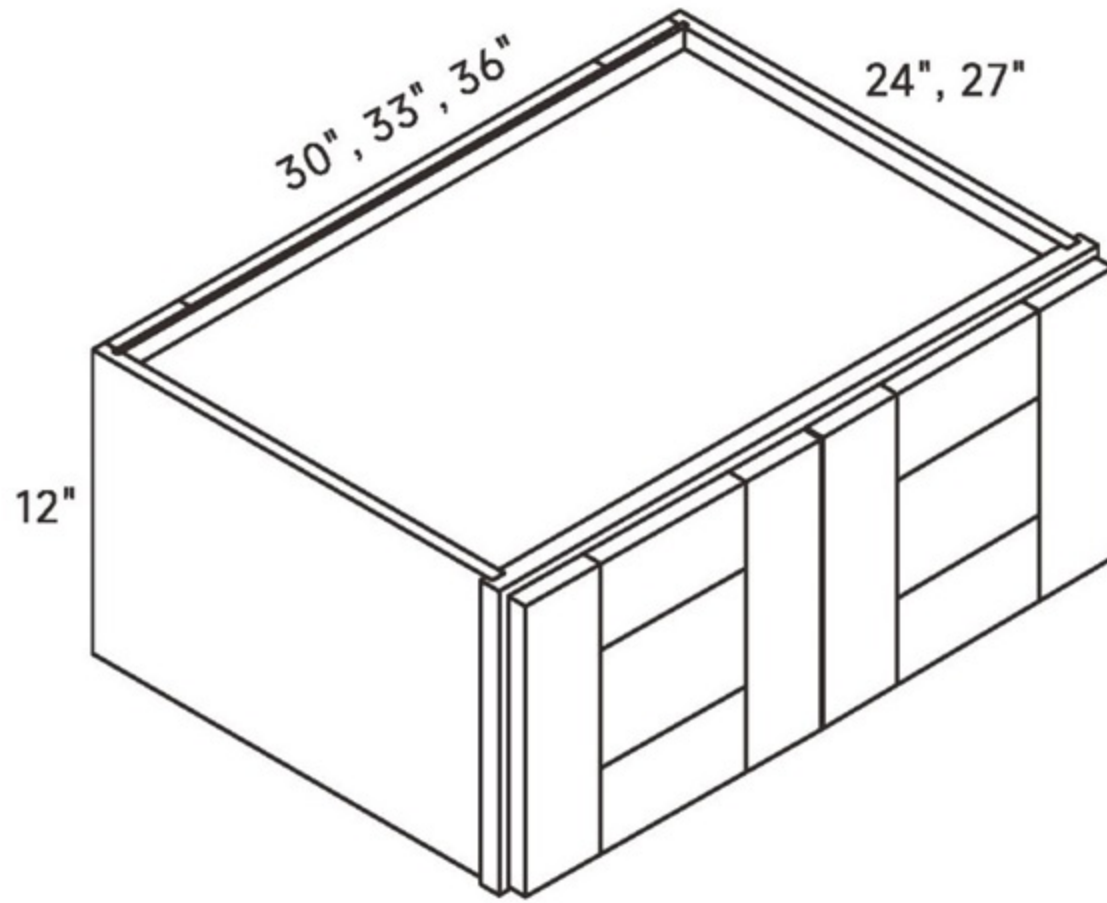


Wall Cabinets

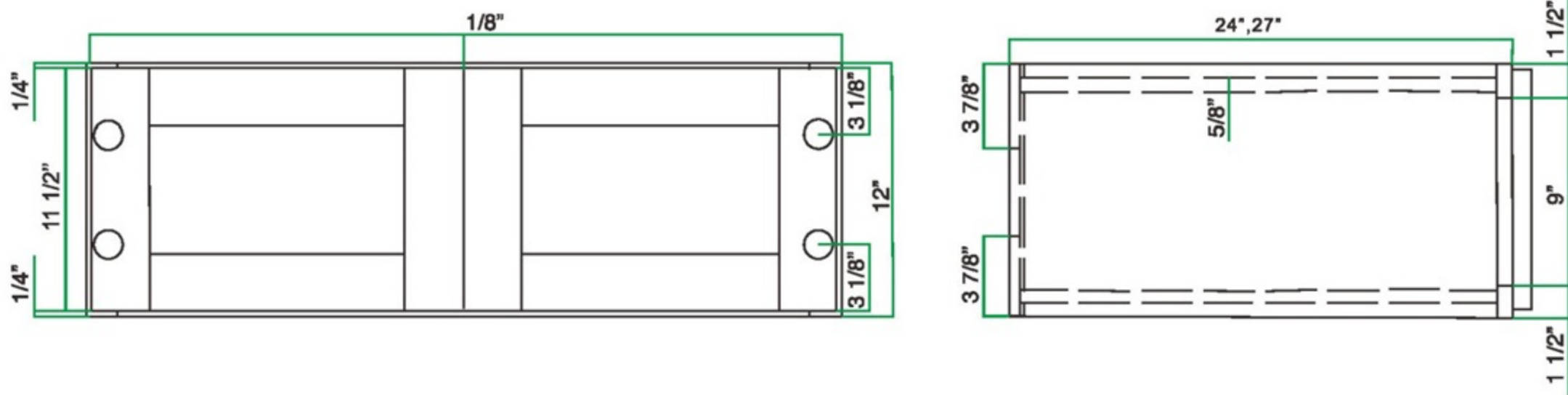
12" Height

24" Deep & 27" Deep

REFRIGERATOR WALL CABINET



Cabinet Dimensions



SKU	W	I	H	I	D	I	Door	Door Opening		Door	
								Width	Height	Width	Height
W301224	30		12		24		2	27	9	14 3/4	11 1/2
W331224	33		12		24		2	30	9	16 1/4	11 1/2
W361224	36		12		24		2	33	9	17 3/4	11 1/2
W331227	33		12		27		2	30	9	16 1/4	11 1/2
W361227	36		12		27		2	33	9	17 3/4	11 1/2

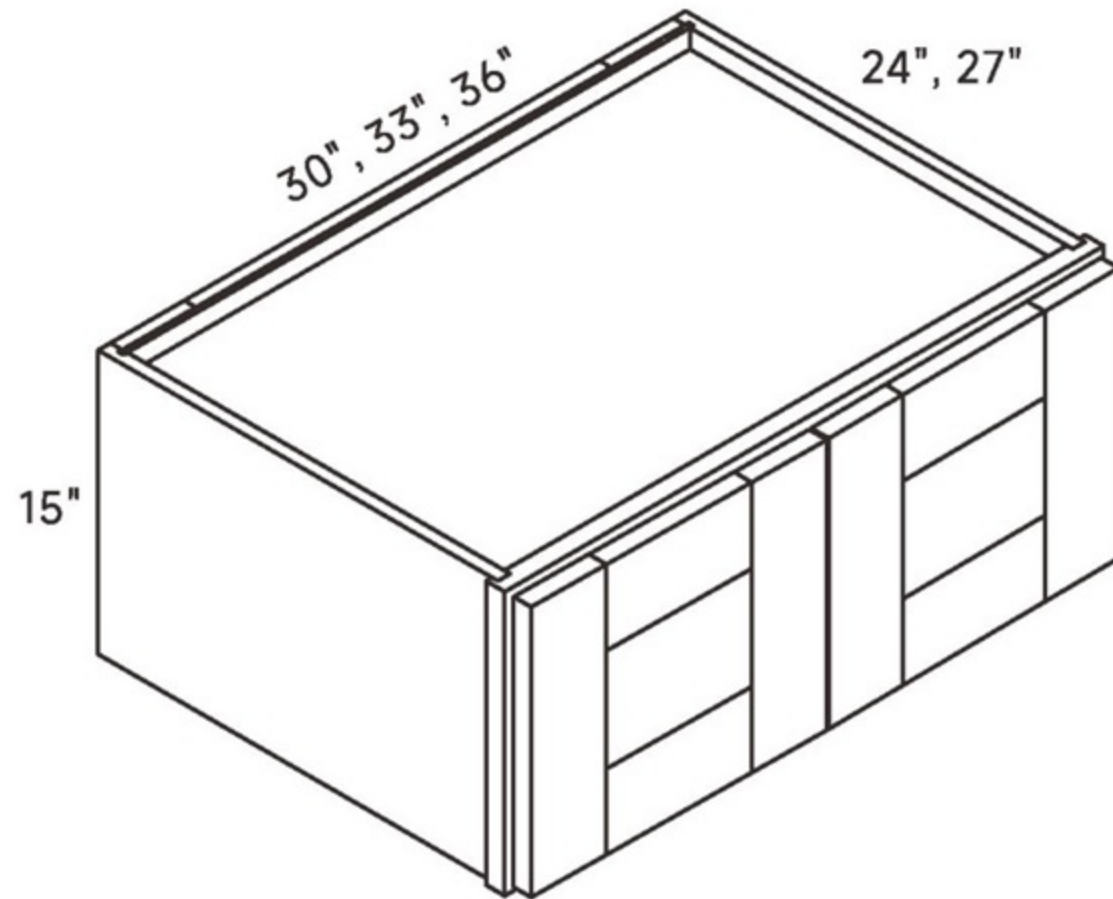
Customization is available to increase 3" or decrease 3" for a modification fee (\$150).



Wall Cabinets

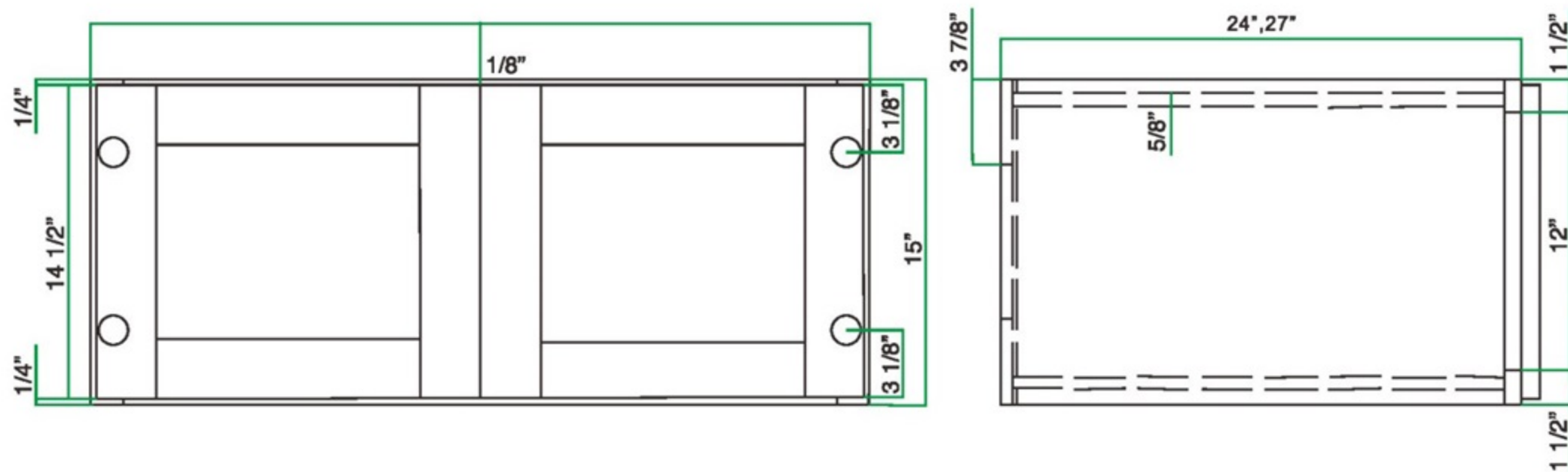
15" Height

24" Deep & 27" Deep



REFRIGERATOR WALL CABINET

Cabinet Dimensions



SKU	W	I	H	I	D	I	Door	Door Opening		Door	
								Width	Height	Width	Height
W301524	30		15		24		2	27	12	14 3/4	14 1/2
W331524	33		15		24		2	30	12	16 1/4	14 1/2
W361524	36		15		24		2	33	12	17 3/4	14 1/2
W301527	30		15		24		2	27	12	14 3/4	14 1/2
W331527	33		15		24		2	30	12	16 1/4	14 1/2
W361527	36		15		24		2	33	12	17 3/4	14 1/2

Customization is available to increase 3" or decrease 3" for a modification fee (\$150).

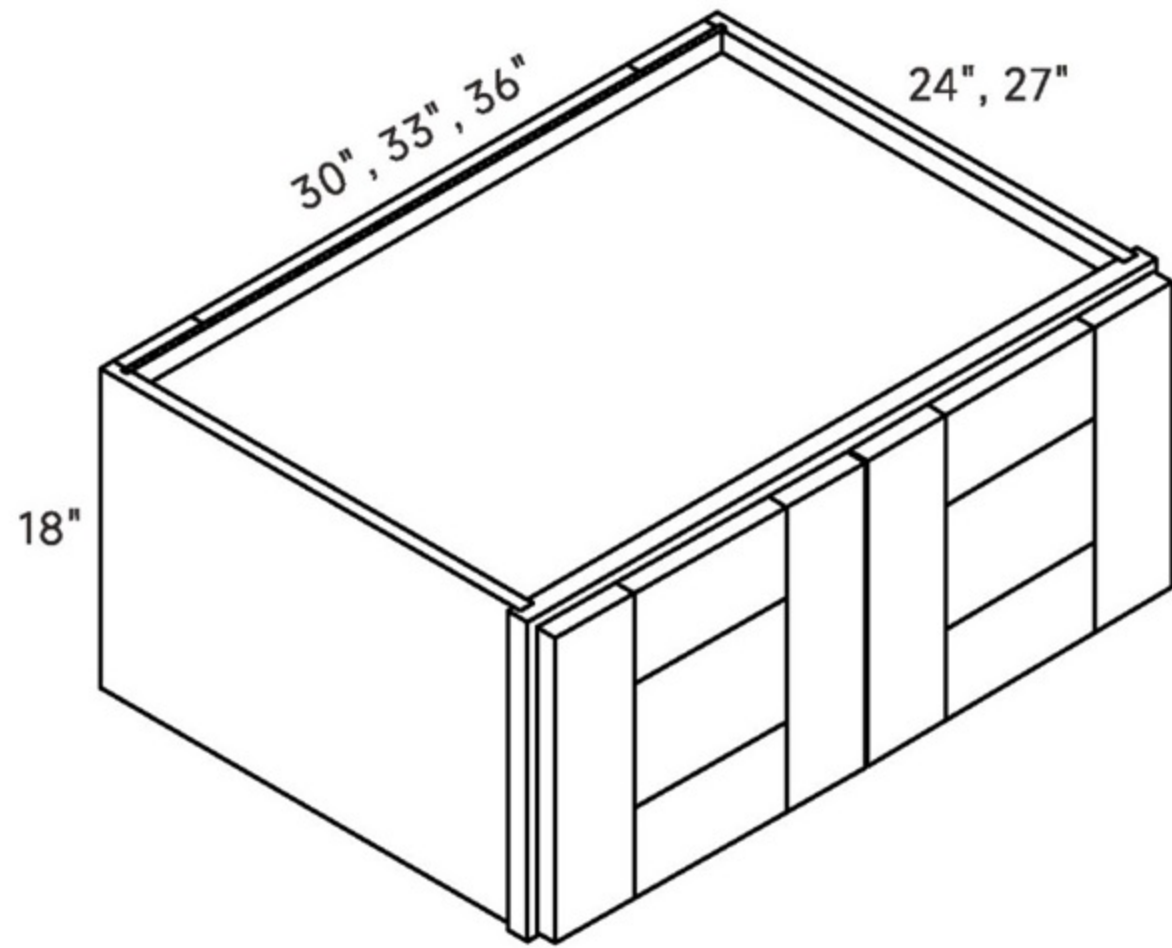


Wall Cabinets

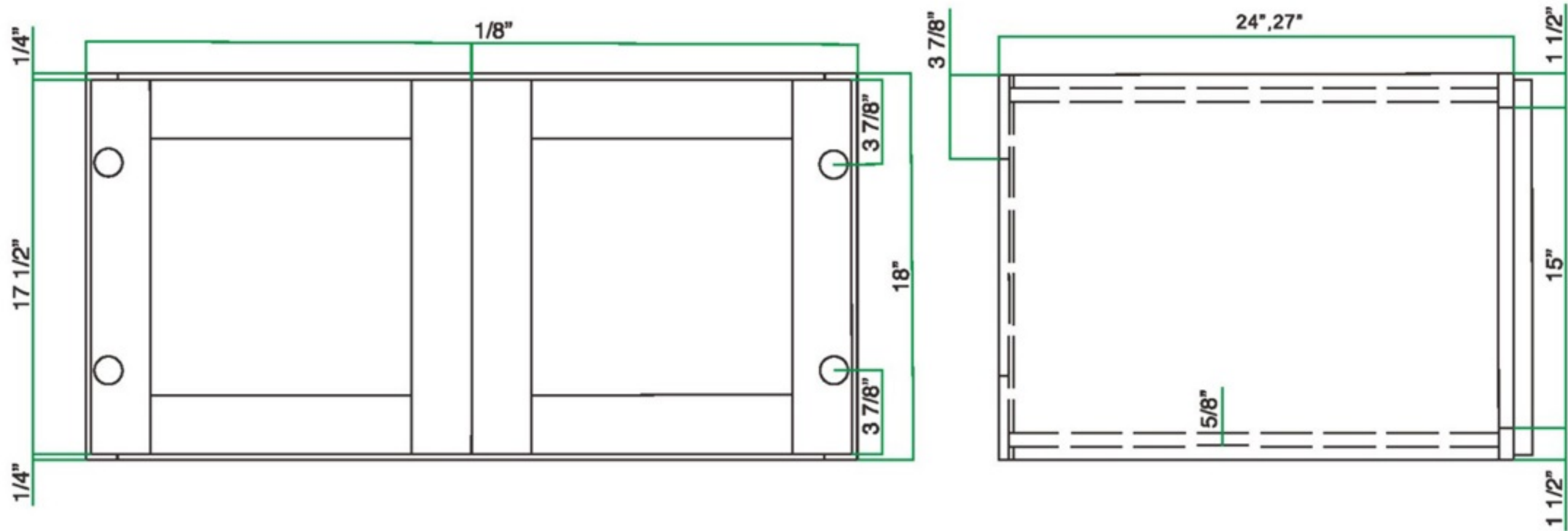
18" Height

24" Deep & 27" Deep

REFRIGERATOR WALL CABINET



Cabinet Dimensions



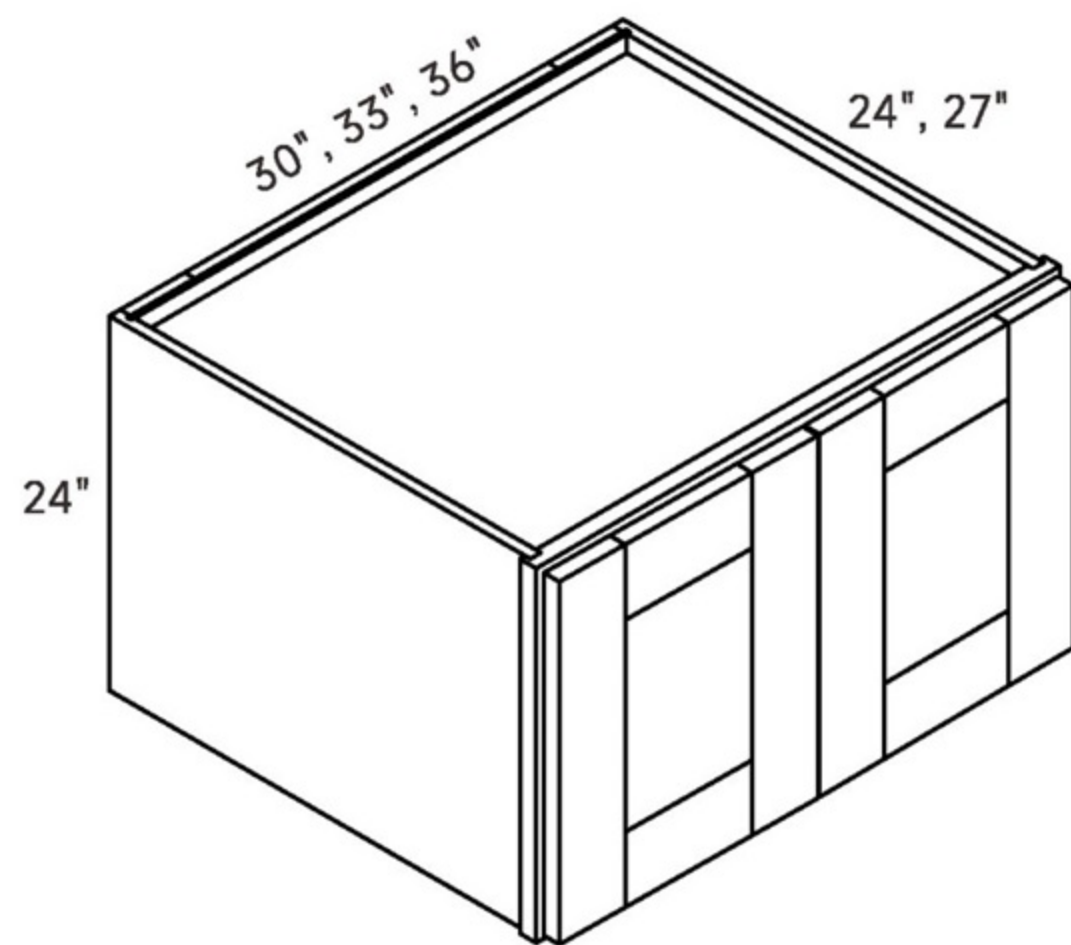
SKU	W	I	H	I	D	I	Door	Door Opening		Door	
								Width	Height	Width	Height
W301824	30		18		24		2	27	15	14 3/4	17 1/2
W331824	33		18		24		2	30	15	16 1/4	17 1/2
W361824	36		18		24		2	33	15	17 3/4	17 1/2
W301827	30		18		27		2	27	15	14 3/4	17 1/2
W331827	33		18		27		2	30	15	16 1/4	17 1/2
W361827	36		18		27		2	33	15	17 3/4	17 1/2

Customization is available to increase 3" or decrease 3" for a modification fee (\$150).

Wall Cabinets

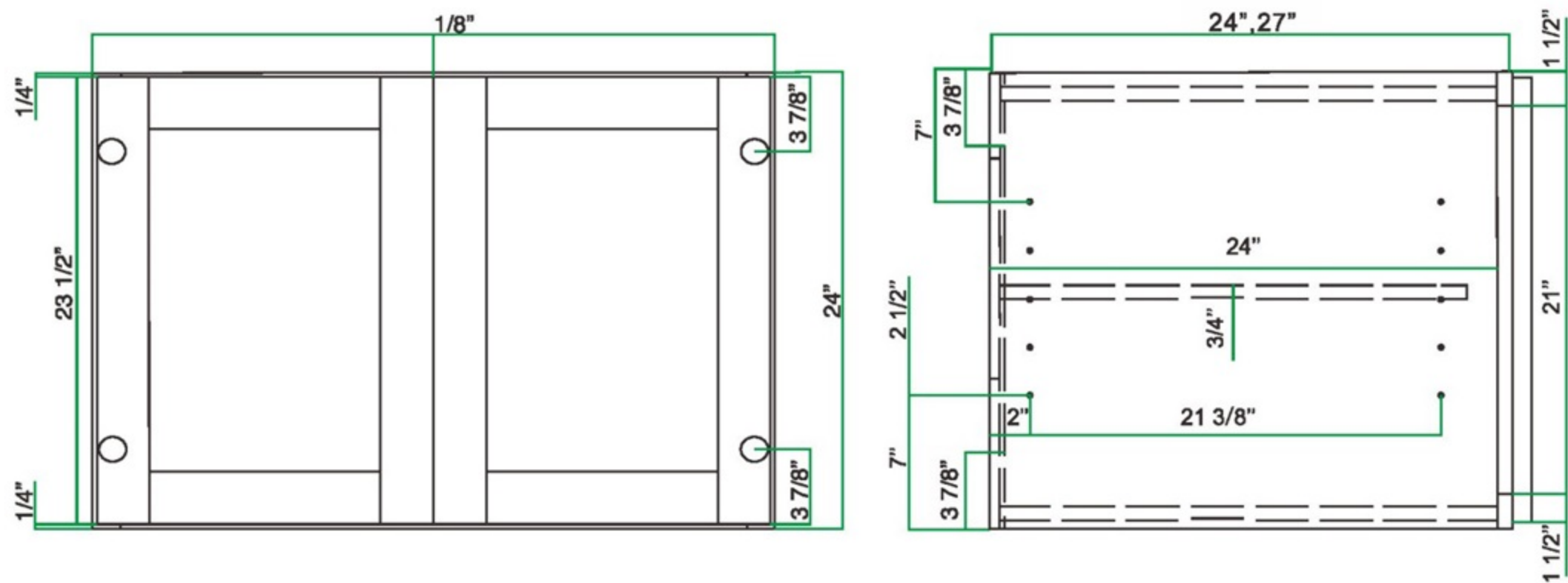
24" Height

24" Deep & 27" Deep



REFRIGERATOR WALL CABINET

Cabinet Dimensions

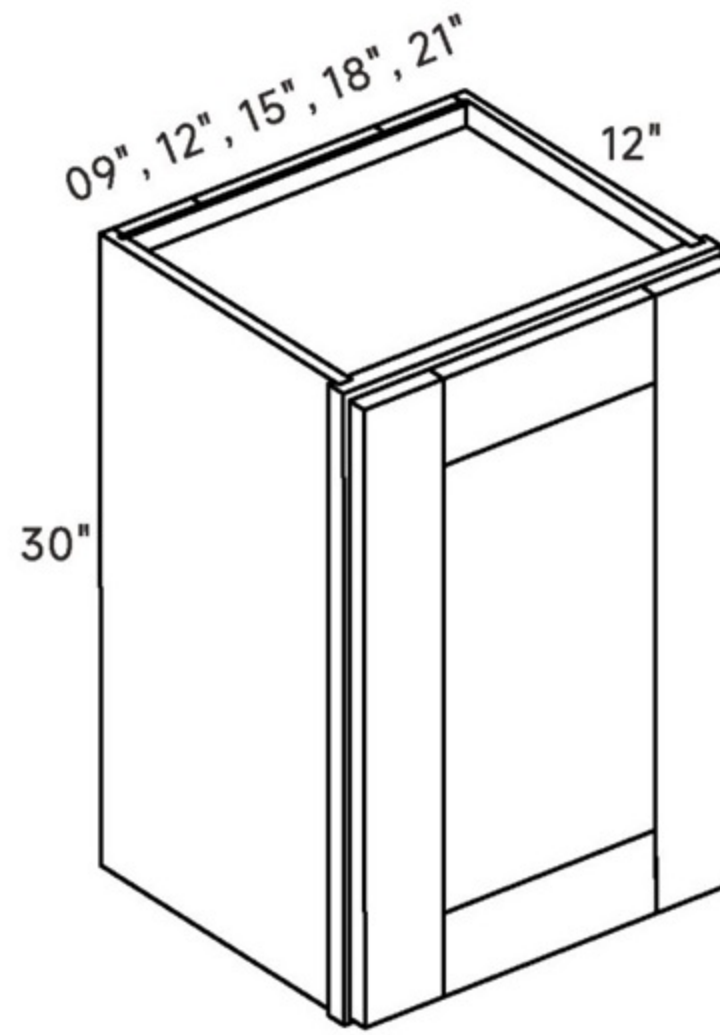


SKU	W	I	H	D	Door	Shelves	Opening		Door	
							Width	Height	Width	Height
W302424	30		24	24	2	1	27	21	14 3/4	23 1/2
W332424	33		24	24	2	1	30	21	16 1/4	23 1/2
W362424	36		24	24	2	1	33	21	17 3/4	23 1/2
W302427	30		24	27	2	1	27	21	14 3/4	23 1/2
W332427	33		24	27	2	1	30	21	16 1/4	23 1/2
W362427	36		24	27	2	1	33	21	17 3/4	23 1/2

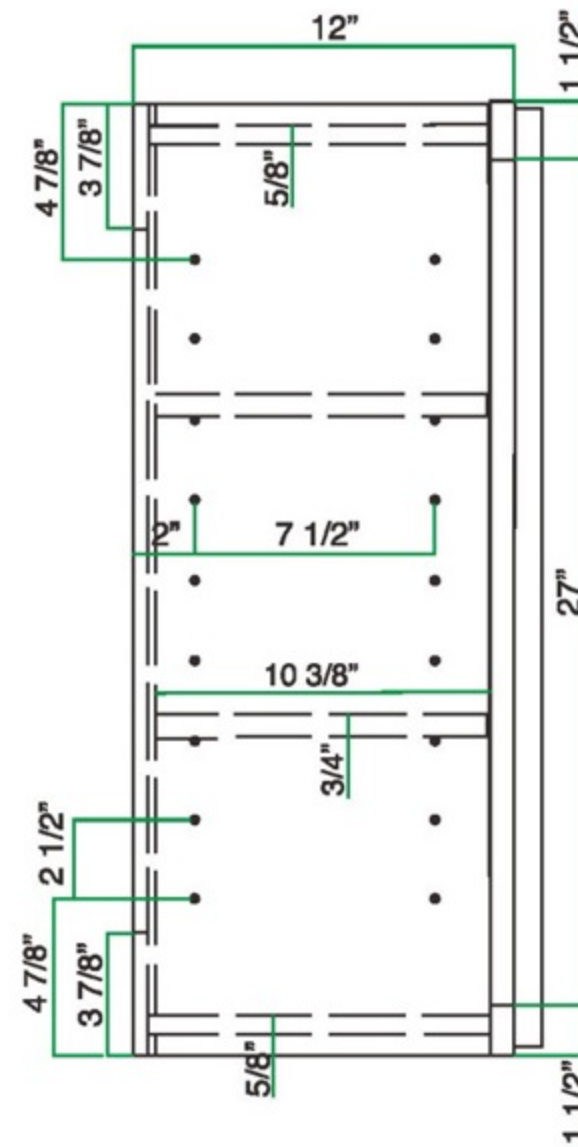
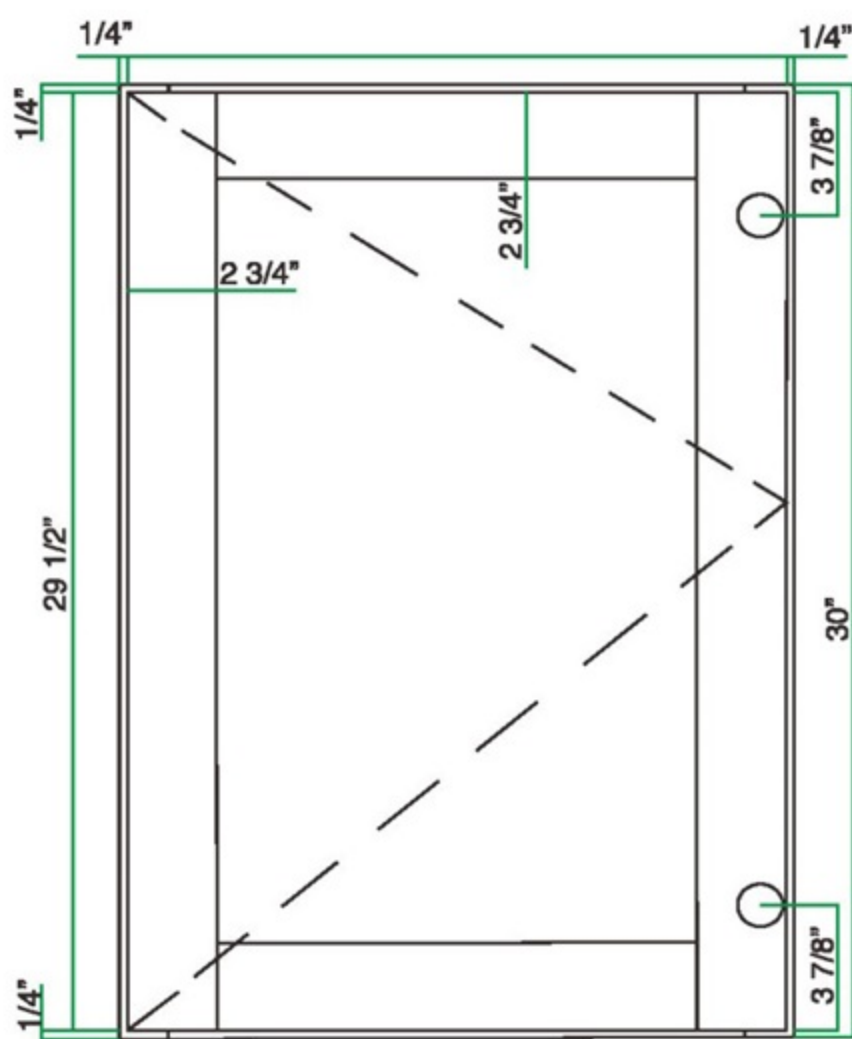
Customization is available to increase 3" or decrease 3" for a modification fee (\$150).



Wall Cabinets 30" Height



Cabinet Dimensions



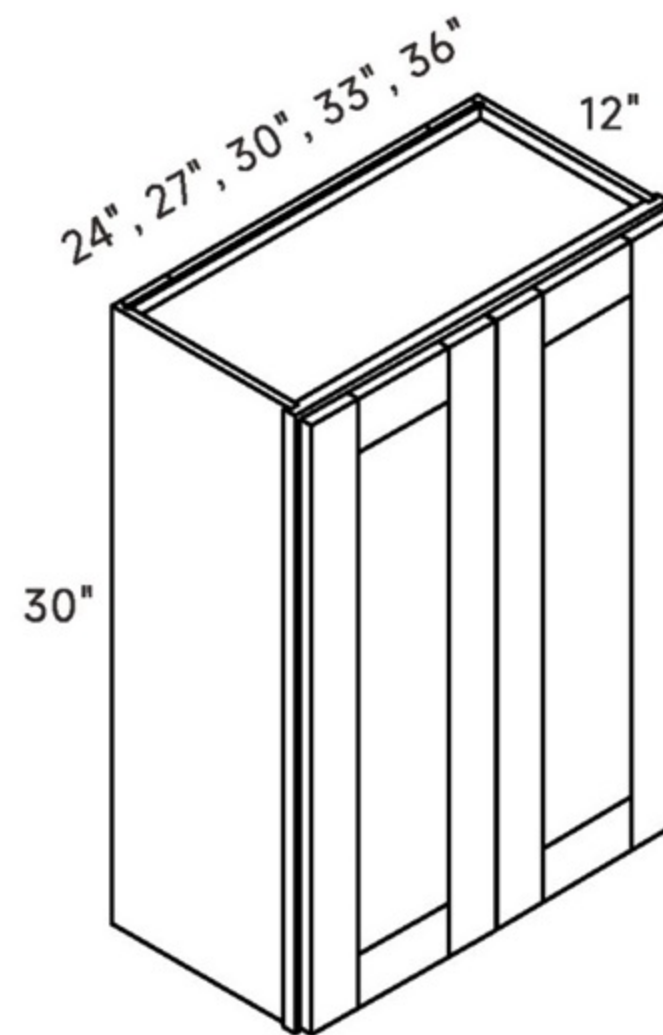
SKU	W	H	D	Door	Shelves	Opening		Door	
						Width	Height	Width	Height
W0930	9	30	12	1	2	6	27	8 1/2	29 1/2
W1230	12	30	12	1	2	9	27	11 1/2	29 1/2
W1530	15	30	12	1	2	12	27	14 1/2	29 1/2
W1830	18	30	12	1	2	15	27	17 1/2	29 1/2
W2130	21	30	12	1	2	18	27	20 1/2	29 1/2
PGDW1530*	15	30	12	1	2	12	27	14 1/2	29 1/2
PGDW1830*	18	30	12	1	2	15	27	17 1/2	29 1/2
PGDW2130*	21	30	12	1	2	18	27	20 1/2	29 1/2

Glass doors are available and sold separately, see page B-25.

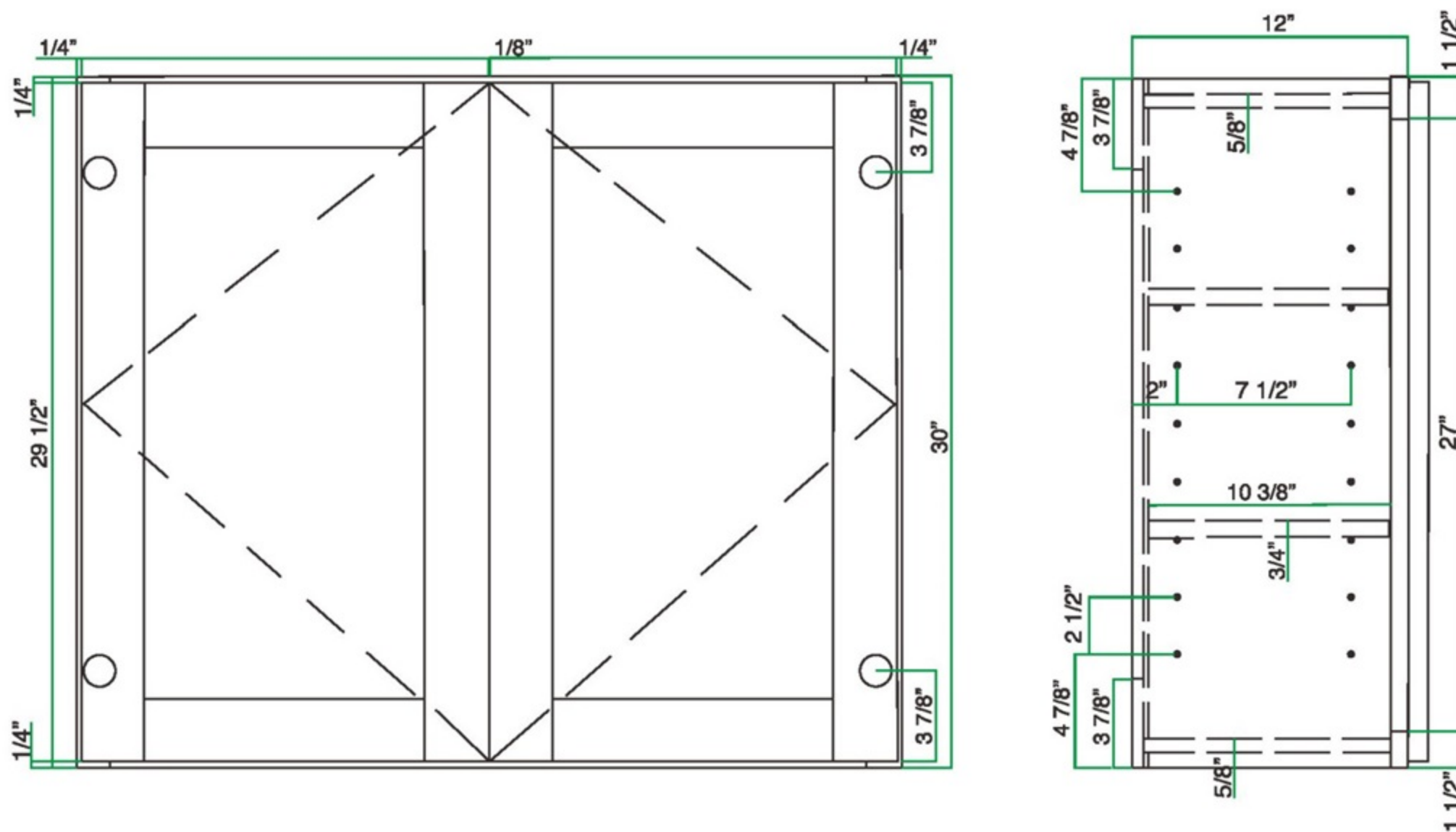
*Custom - come with interior match and glass doors. Additional lead time required.



Wall Cabinets 30" Height



Cabinet Dimensions



SKU	W	H	D	Door	Shelves	Opening		Door	
						Width	Height	Width	Height
W2430	24	30	12	2	2	21	27	11 3/4	29 1/2
W2730	27	30	12	2	2	24	27	13 1/4	29 1/2
W3030	30	30	12	2	2	27	27	14 3/4	29 1/2
W3330	33	30	12	2	2	30	27	16 1/4	29 1/2
W3630	36	30	12	2	2	33	27	17 3/4	29 1/2
PGDW2430*	24	30	12	2	2	21	27	11 3/4	29 1/2
PGDW2730*	27	30	12	2	2	24	27	13 1/4	29 1/2
PGDW3030*	30	30	12	2	2	27	27	14 3/4	29 1/2
PGDW3330*	33	30	12	2	2	30	27	16 1/4	29 1/2
PGDW3630*	36	30	12	2	2	33	27	17 3/4	29 1/2

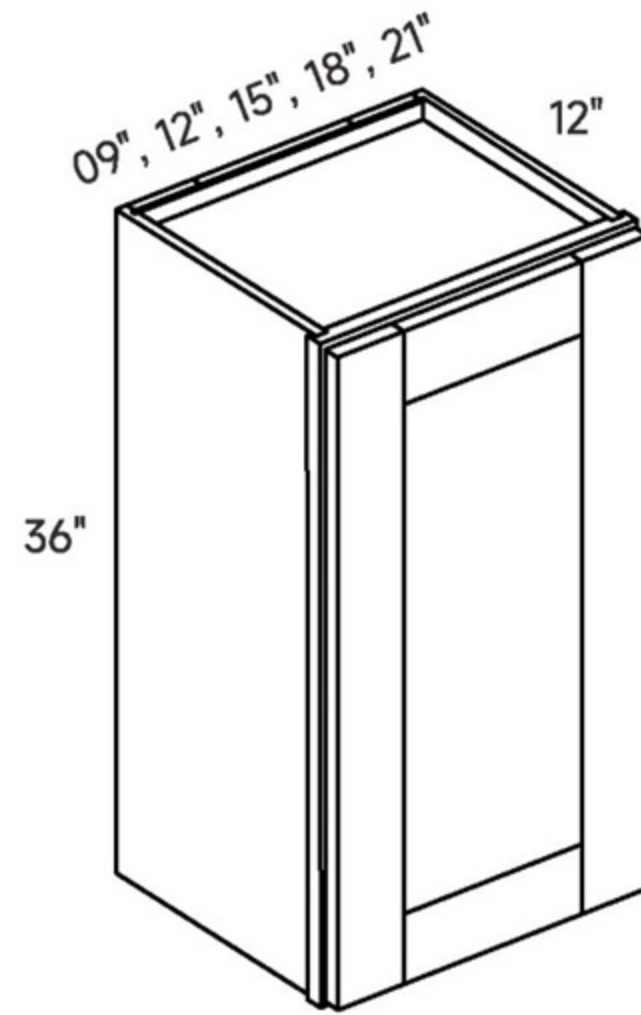
Glass doors are available and sold separately, see page B-25.

*Custom - come with interior match and glass doors. Additional lead time required.

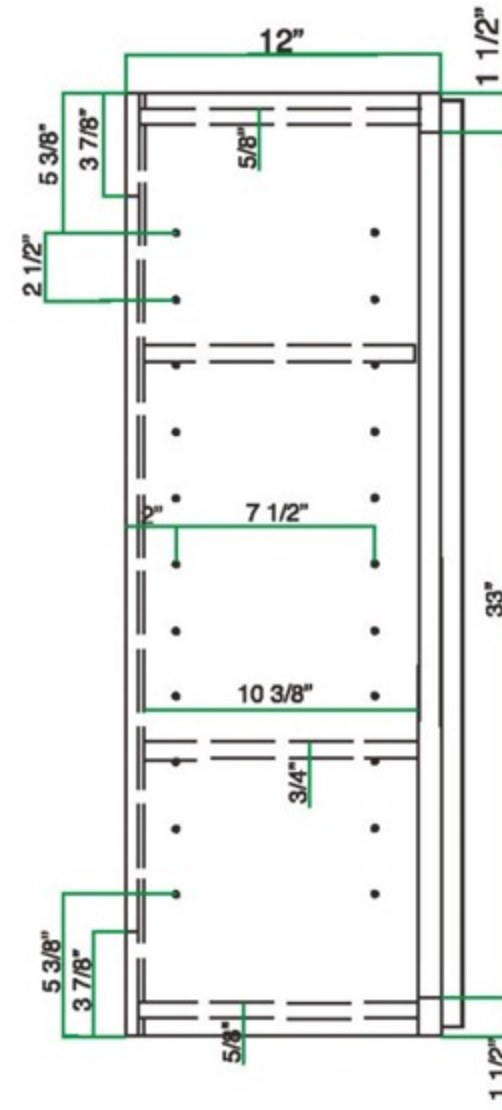
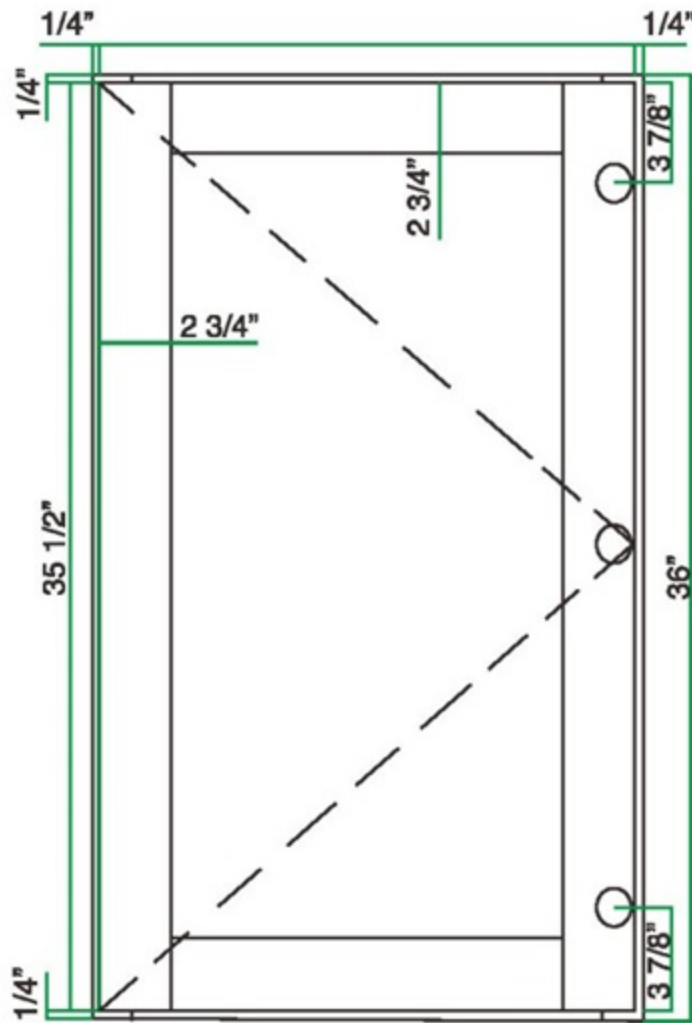


WALL CABINETS

Wall Cabinets 36" Height



Cabinet Dimensions



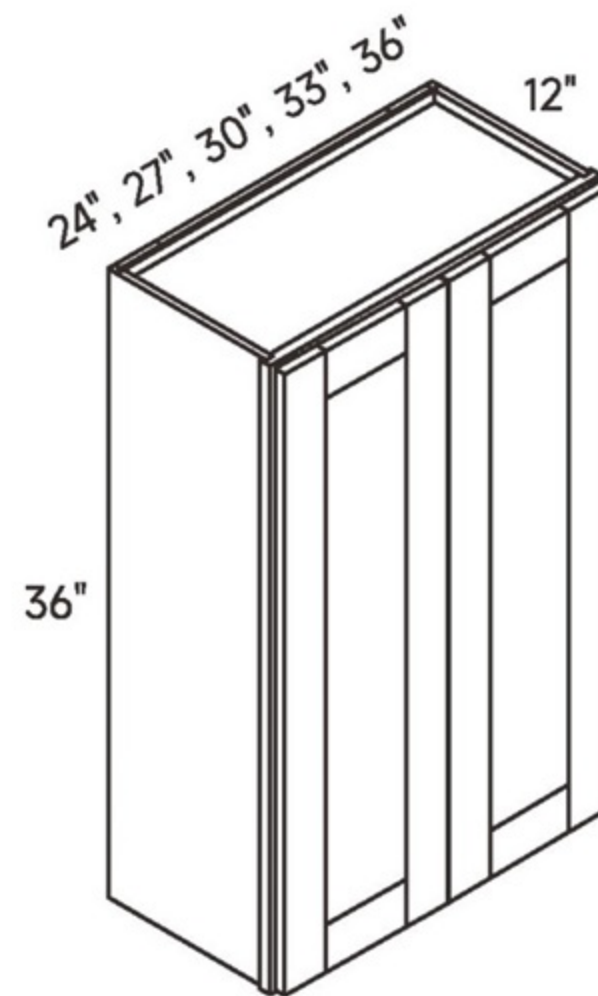
SKU	W	H	D	Door	Shelves	Door Opening		Door	
						Width	Height	Width	Height
W0936	9	36	12	1	2	6	33	8 1/2	35 1/2
W1236	12	36	12	1	2	9	33	11 1/2	35 1/2
W1536	15	36	12	1	2	12	33	14 1/2	35 1/2
W1836	18	36	12	1	2	15	33	17 1/2	35 1/2
W2136	21	36	12	1	2	18	33	20 1/2	35 1/2
PGDW1536*	15	36	12	1	2	12	33	14 1/2	35 1/2
PGDW1836*	18	36	12	1	2	15	33	17 1/2	35 1/2
PGDW2136*	21	36	12	1	2	18	33	20 1/2	35 1/2

Glass doors are available and sold separately, see page B-25.

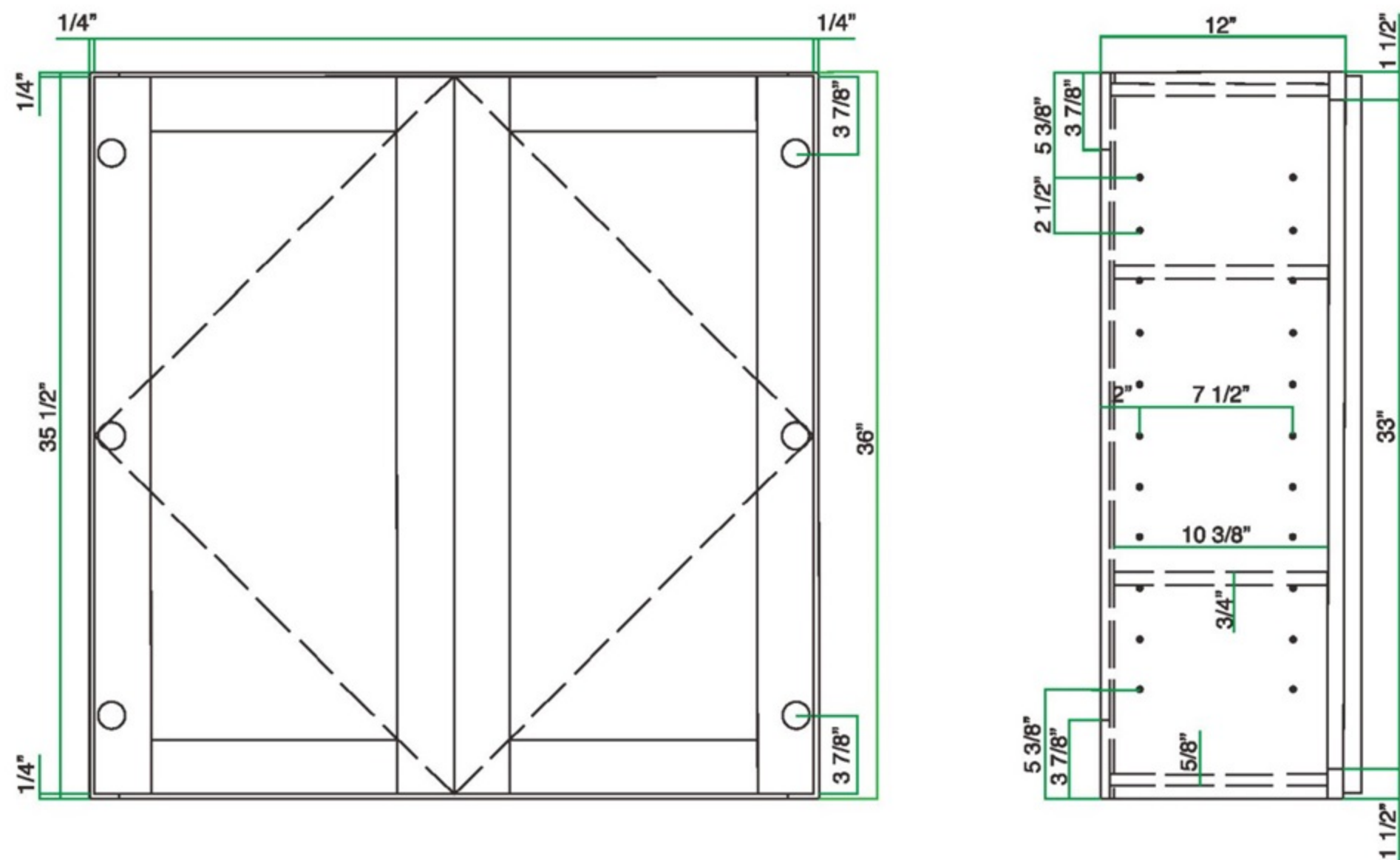
*Custom - come with interior match and glass doors. Additional lead time required.



Wall Cabinets 36" Height



Cabinet Dimensions



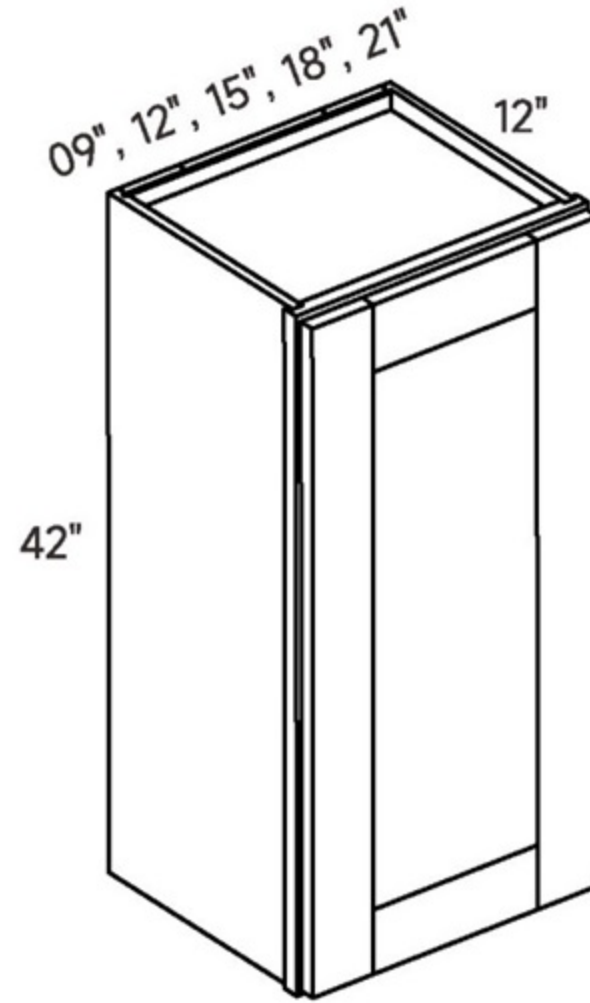
SKU	W	H	D	Door	Shelves	Door Opening		Door	
						Width	Height	Width	Height
W2436	24	36	12	2	2	21	33	11 3/4	35 1/2
W2736	27	36	12	2	2	24	33	13 1/4	35 1/2
W3036	30	36	12	2	2	27	33	14 3/4	35 1/2
W3336	33	36	12	2	2	30	33	16 1/4	35 1/2
W3636	36	36	12	2	2	33	33	17 3/4	35 1/2
PGDW2436*	24	36	12	2	2	21	33	11 3/4	35 1/2
PGDW2736*	27	36	12	2	2	24	33	13 1/4	35 1/2
PGDW3036*	30	36	12	2	2	27	33	14 3/4	35 1/2
PGDW3336*	33	36	12	2	2	30	33	16 1/4	35 1/2
PGDW3636*	36	36	12	2	2	33	33	17 3/4	35 1/2

Glass doors are available and sold separately, see page B-25.

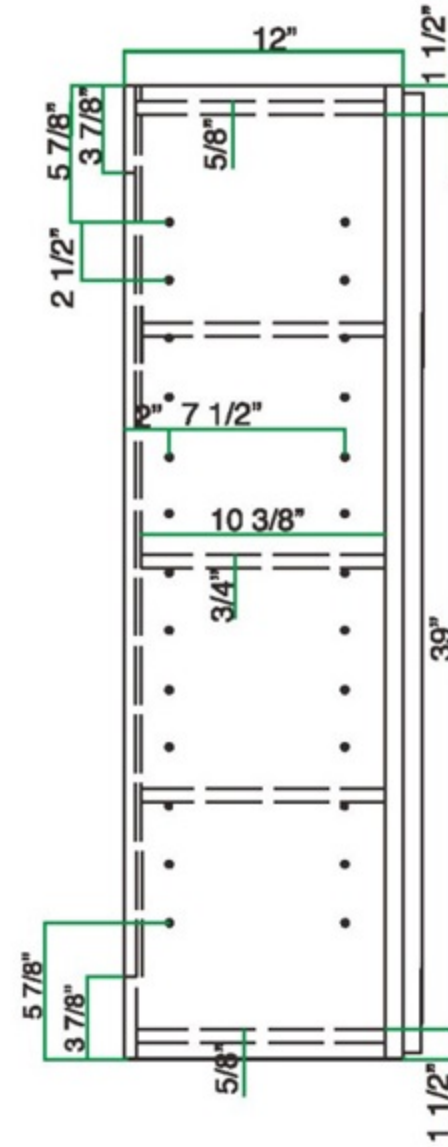
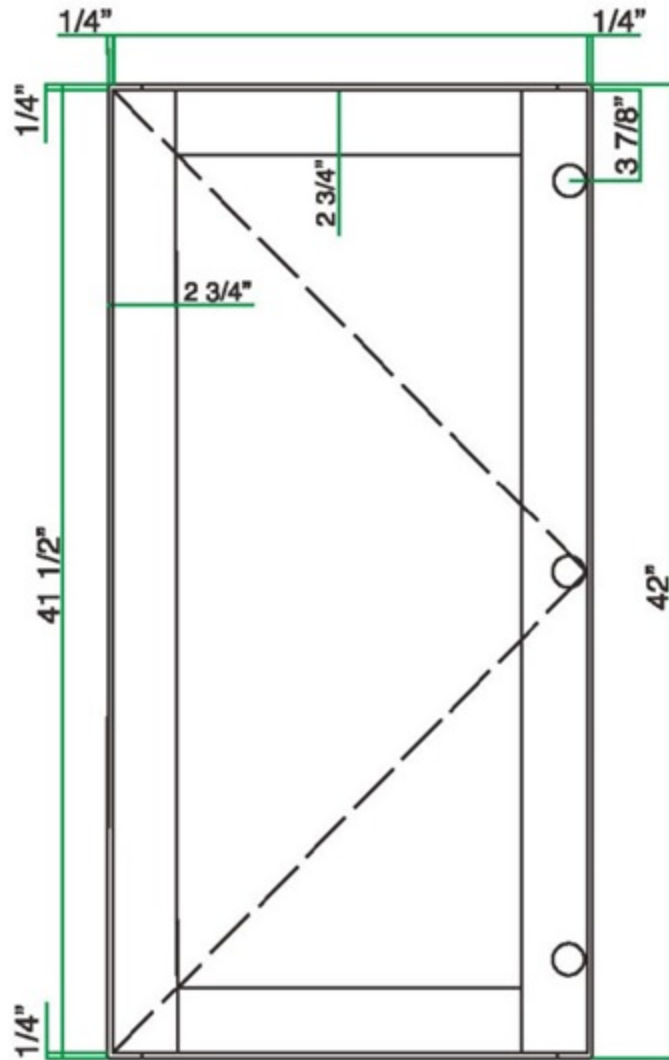
*Custom - come with interior match and glass doors. Additional lead time required.



Wall Cabinets 42" Height



Cabinet Dimensions



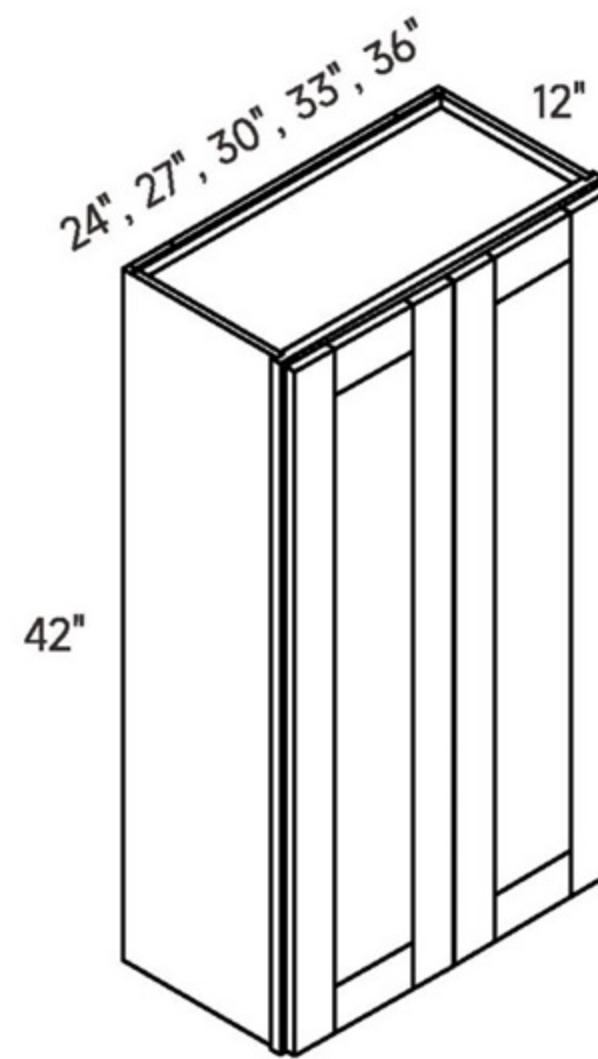
SKU	W	H	D	Door	Shelves	Door Opening		Door	
						Width	Height	Width	Height
W0942	9	42	12	1	3	6	39	8 1/2	41 1/2
W1242	12	42	12	1	3	9	39	11 1/2	41 1/2
W1542	15	42	12	1	3	12	39	14 1/2	41 1/2
W1842	18	42	12	1	3	15	39	17 1/2	41 1/2
W2142	21	42	12	1	3	18	39	20 1/2	41 1/2
PGDW1542*	15	42	12	1	3	12	39	14 1/2	41 1/2
PGDW1842*	18	42	12	1	3	15	39	17 1/2	41 1/2
PGDW2142*	21	42	12	1	3	18	39	20 1/2	41 1/2

Glass doors are available and sold separately, see page B-25.

*Custom - come with interior match and glass doors. Additional lead time required.

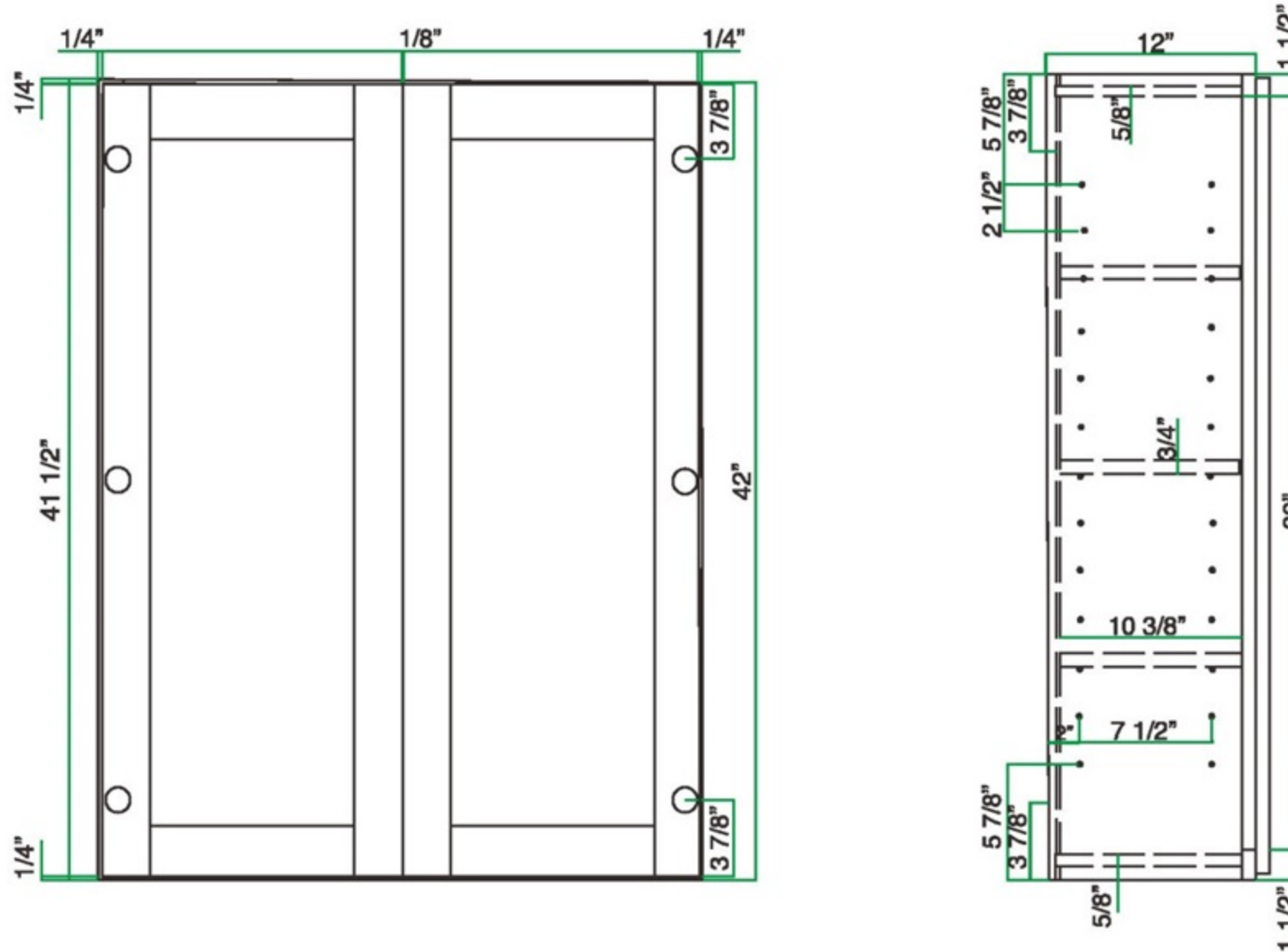


Wall Cabinets 42" Height



WALL CABINETS

Cabinet Dimensions



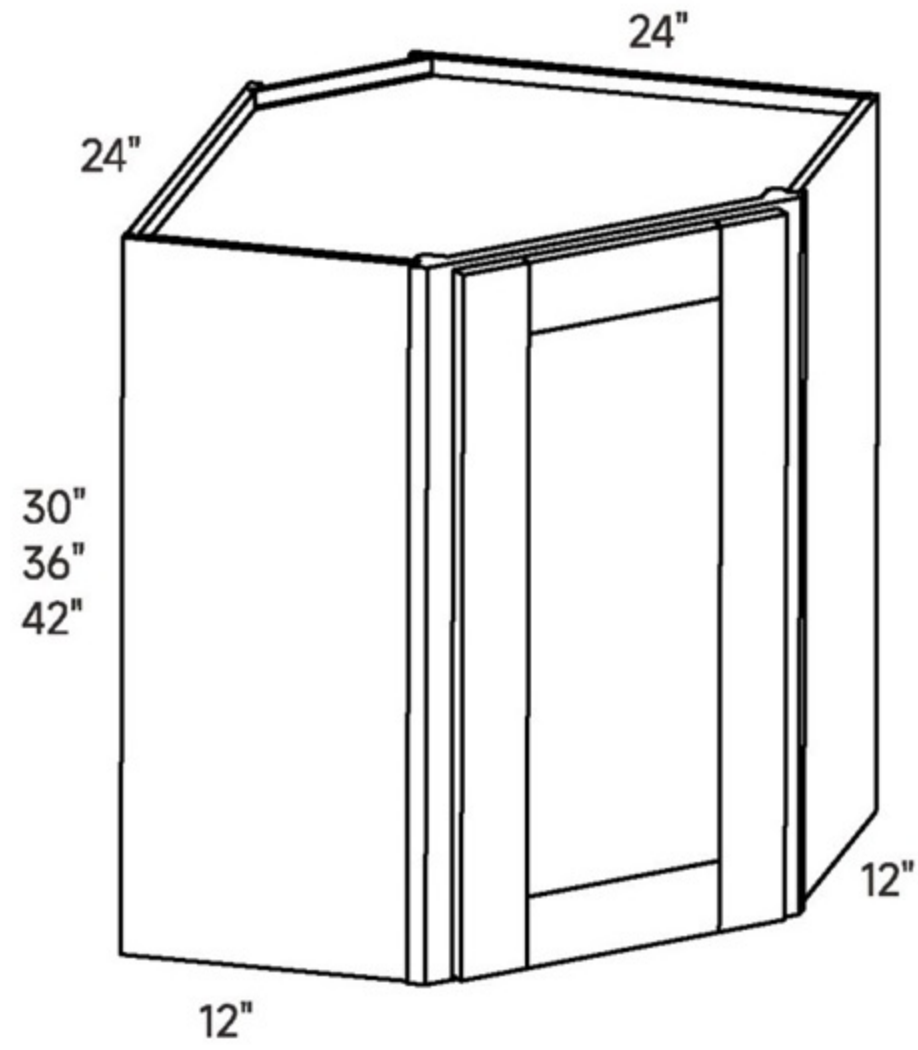
SKU	W	H	D	Door	Shelves	Door Opening		Door	
						Width	Height	Width	Height
W2442	24	42	12	2	3	21	39	11 3/4	41 1/2
W2742	27	42	12	2	3	24	39	13 1/4	41 1/2
W3042	30	42	12	2	3	27	39	14 3/4	41 1/2
W3342	33	42	12	2	3	30	39	16 1/4	41 1/2
W3642	36	42	12	2	3	33	39	17 3/4	41 1/2
PGDW2442*	24	42	12	2	3	21	39	11 3/4	41 1/2
PGDW2742*	27	42	12	2	3	24	39	13 1/4	41 1/2
PGDW3042*	30	42	12	2	3	27	39	14 3/4	41 1/2
PGDW3342*	33	42	12	2	3	30	39	16 1/4	41 1/2
PGDW3642*	36	42	12	2	3	33	39	17 3/4	41 1/2

Glass doors are available and sold separately, see page B-25.

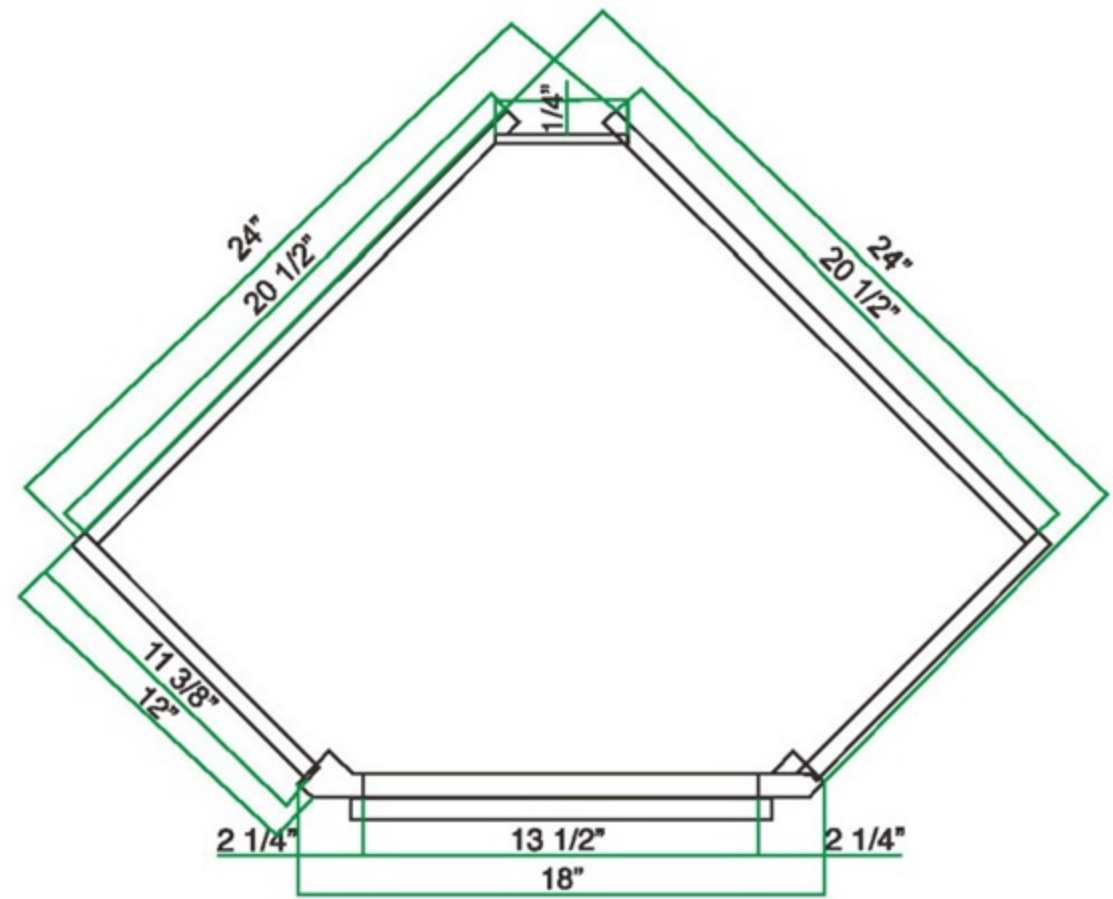
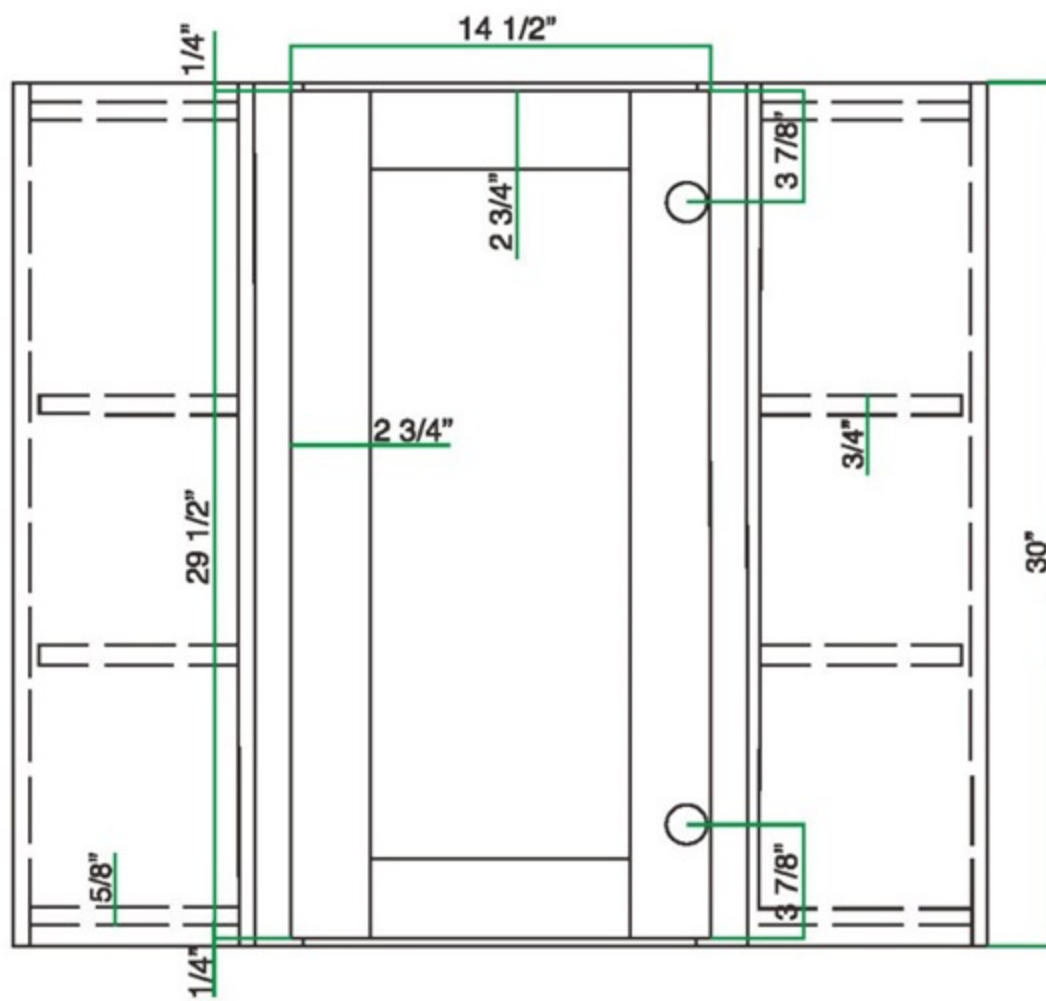
*Custom - come with interior match and glass doors. Additional lead time required.



Wall Diagonal Cabinets



Cabinet Dimensions



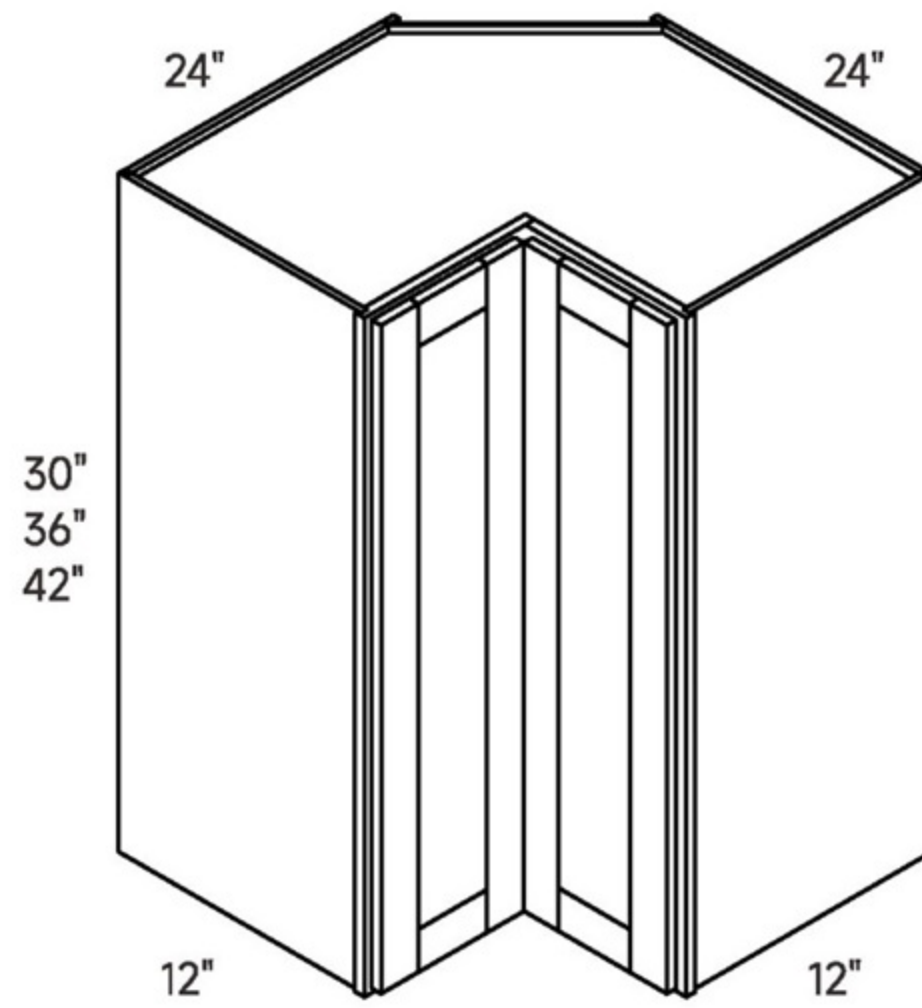
SKU	W	H	D	Door	Shelves	Opening		Door	
						Width	Height	Width	Height
WDC2430	24/18	30	24	1	2	13 1/2	27	14 1/2	29 1/2
WDC2436	24/18	36	24	1	2	13 1/2	30	14 1/2	35 1/2
WDC2442	24/18	42	24	1	3	13 1/2	39	14 1/2	41 1/2
PGDWDC2430*	24/18	30	24	1	2	13 1/2	27	14 1/2	29 1/2
PGDWDC2436*	24/18	36	24	1	2	13 1/2	30	14 1/2	35 1/2
PGDWDC2442*	24/18	42	24	1	3	13 1/2	39	14 1/2	41 1/2

Glass doors are available and sold separately, see page B-25.

*Custom- come with interior match and glass doors. Additional lead time required.

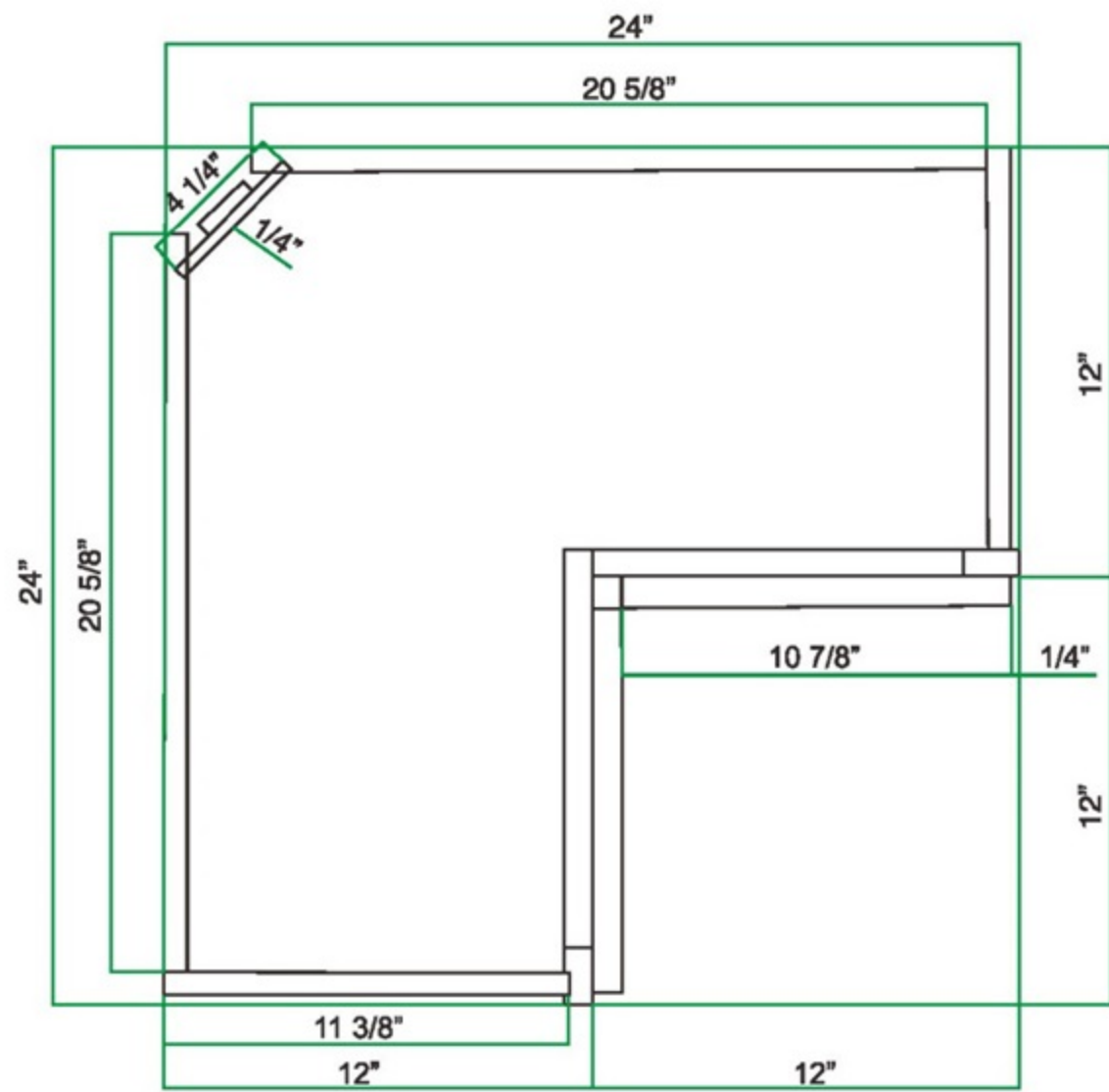
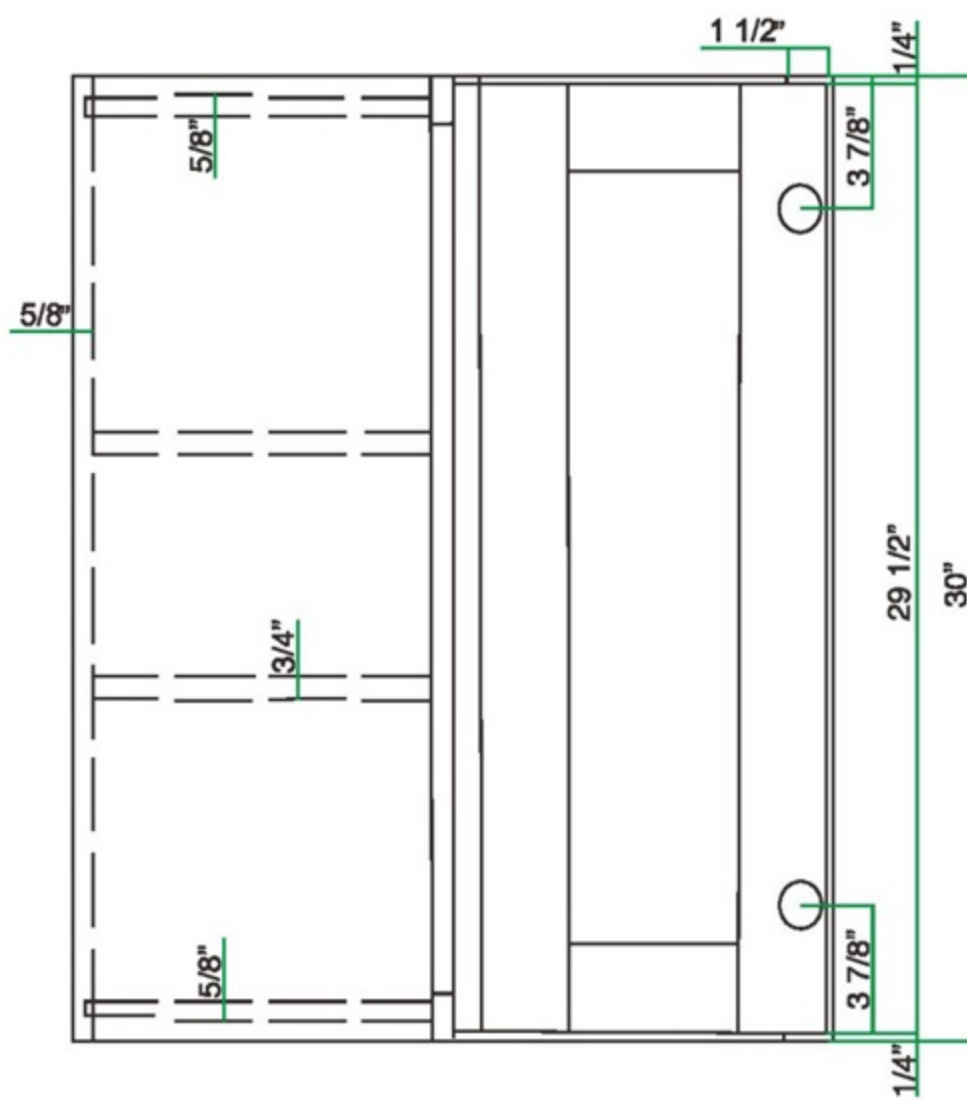


Wall Pie Cut Corner Cabinets



WALL CORNER CABINETS

Cabinet Dimensions

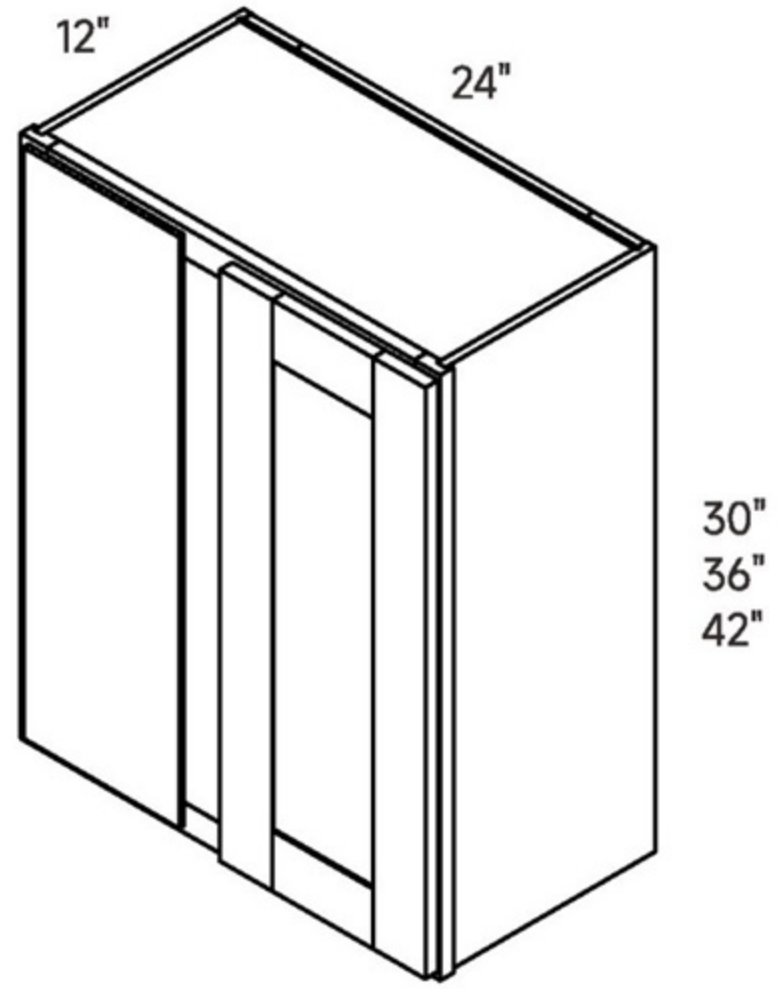


SKU	W	H	D	Door	Shelves	Opening		Door	
						Width	Height	Width	Height
WPC2430	24	30	24	1	2				
WPC2436	24	36	24	1	2				
WPC2442	24	42	24	1	3				

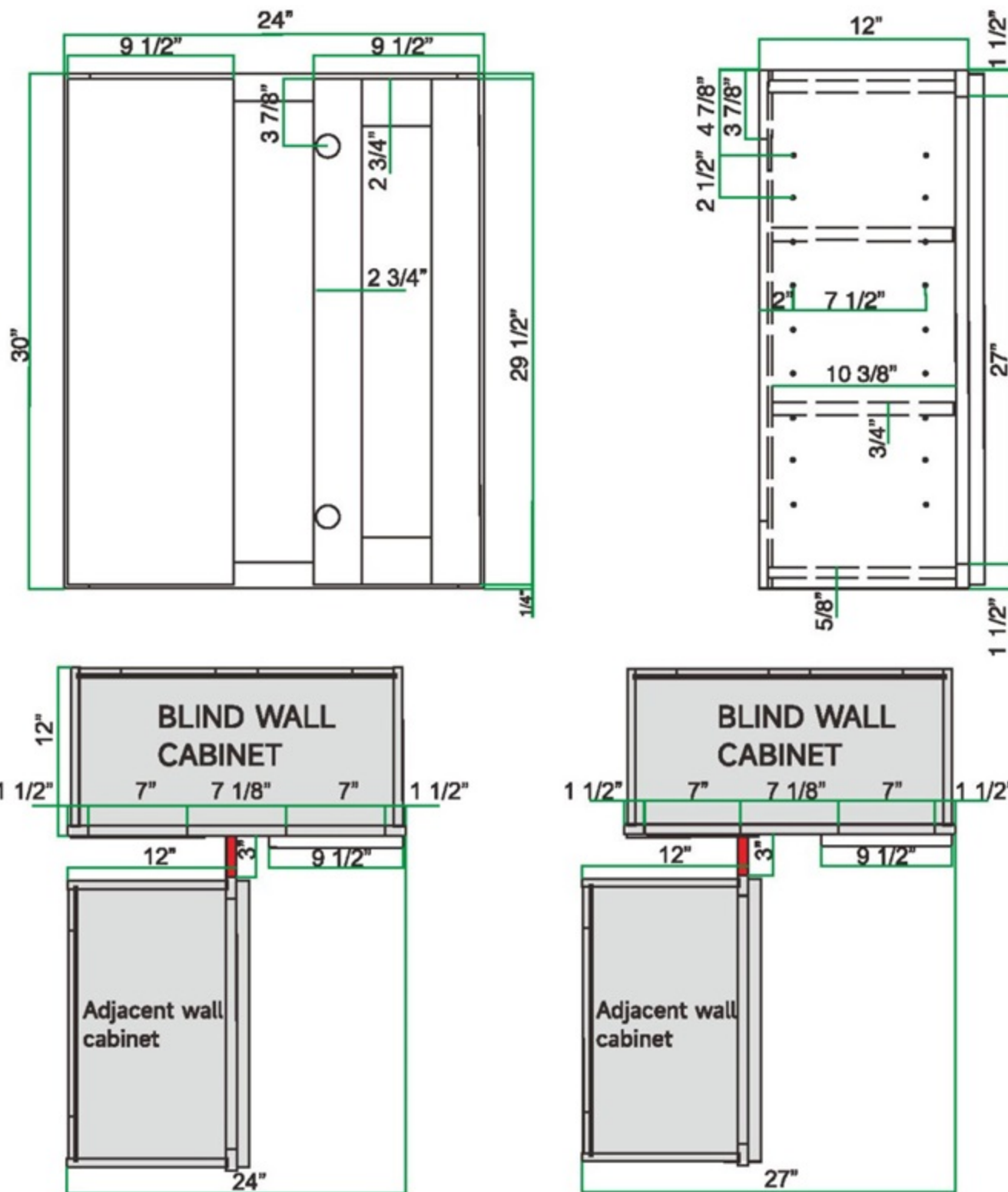
Glass doors are available and sold separately, see page B-25.



Wall Blind Corner Cabinets



Cabinet Dimensions

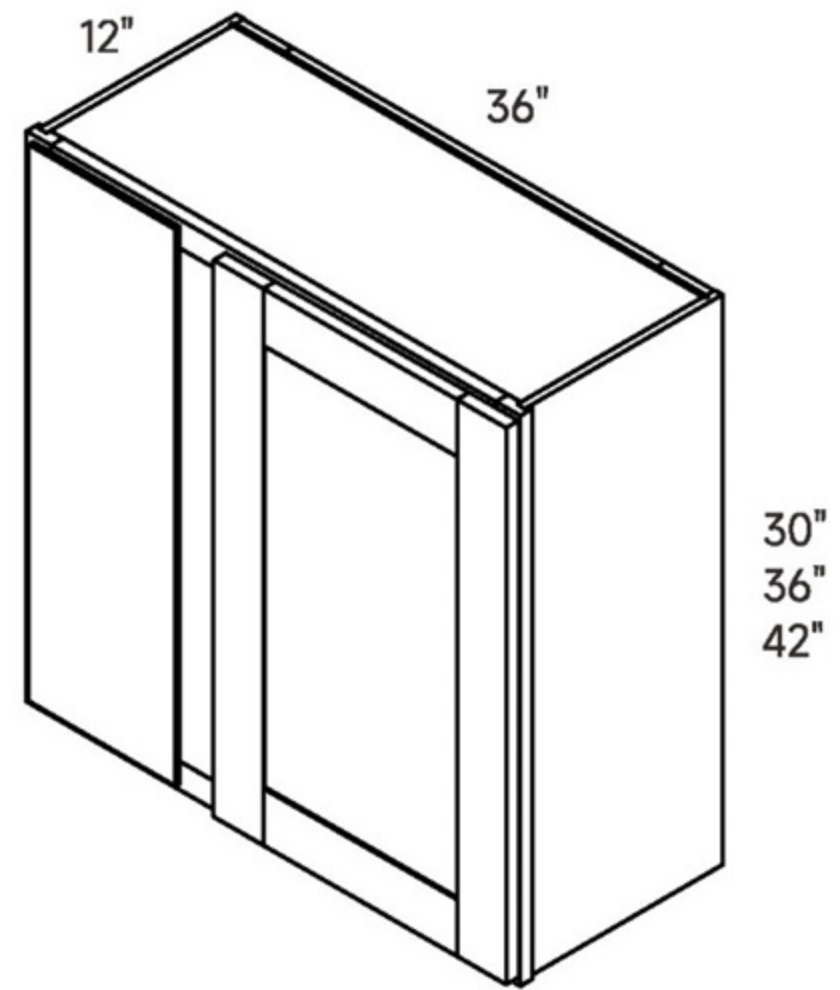


SKU	W	H	D	Door	Shelves	Opening		Door	
						Width	Height	Width	Height
WBC2430	24	30	12	1	2	7	27	9 1/2	29 1/2
WBC2436	24	36	12	1	2	7	33	9 1/2	35 1/2
WBC2442	24	42	12	1	2	7	39	9 1/2	41 1/2

Must use filler on adjacent side (not supplied)

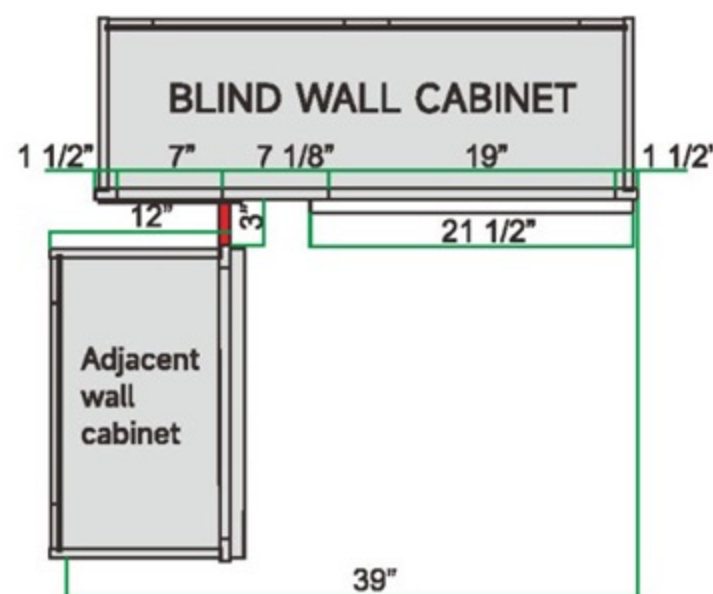
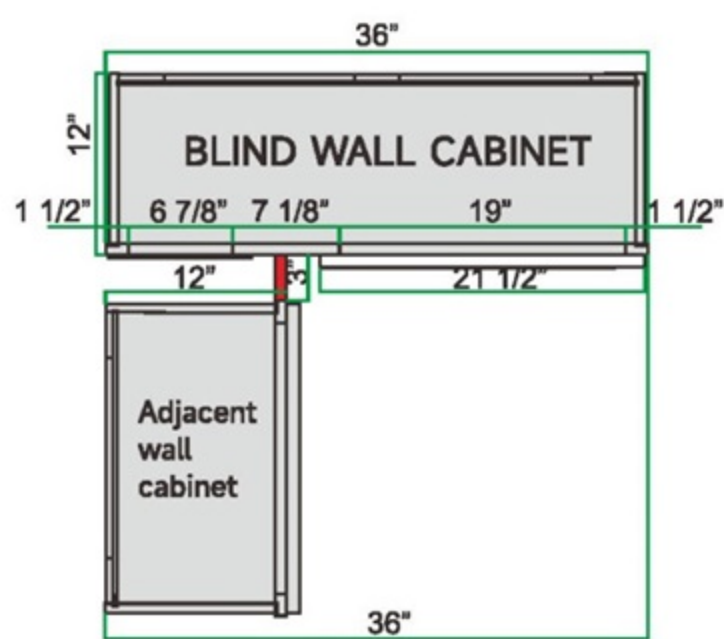
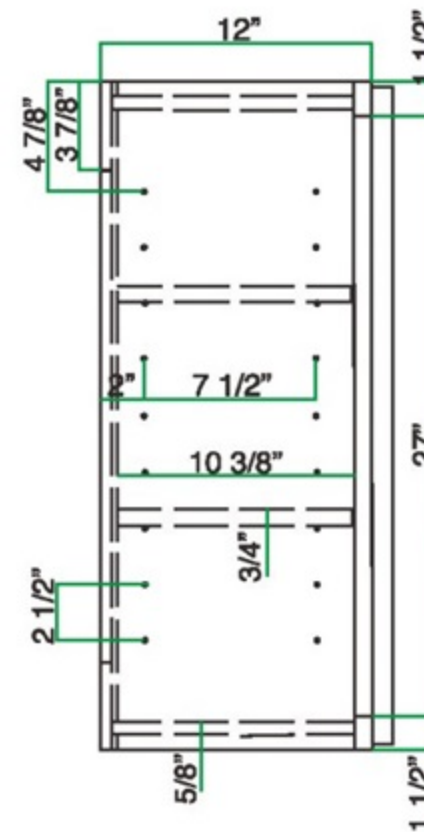
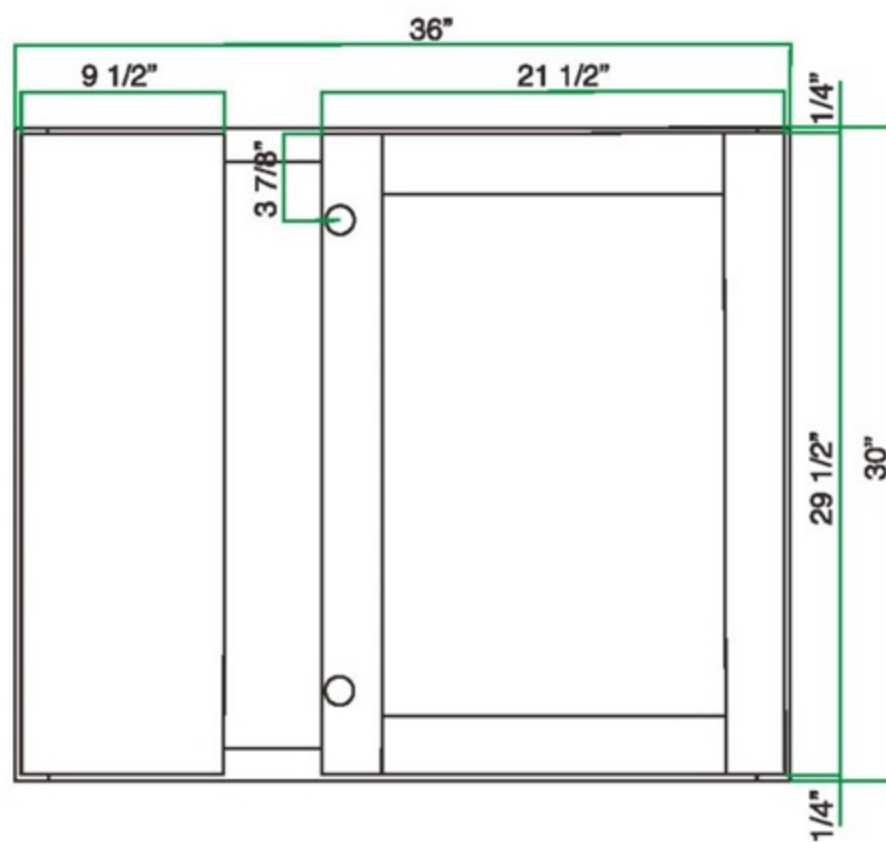


Wall Blind Corner Cabinets



WALL CORNER CABINETS

Cabinet Dimensions



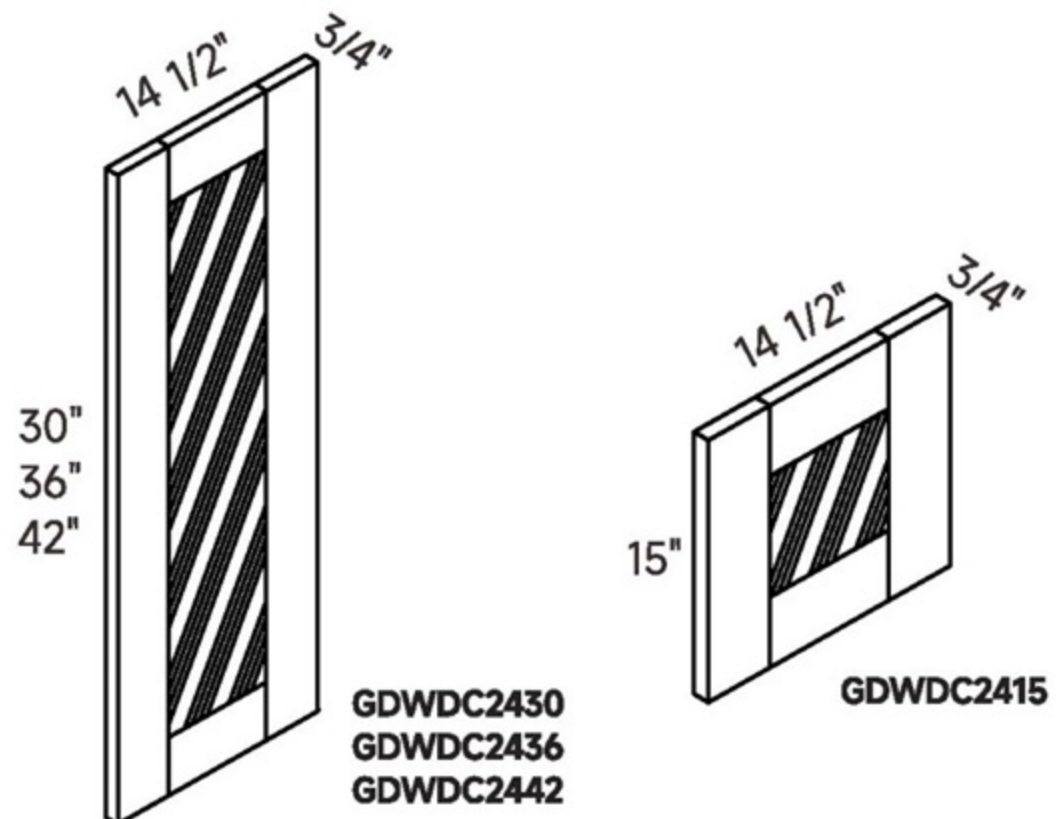
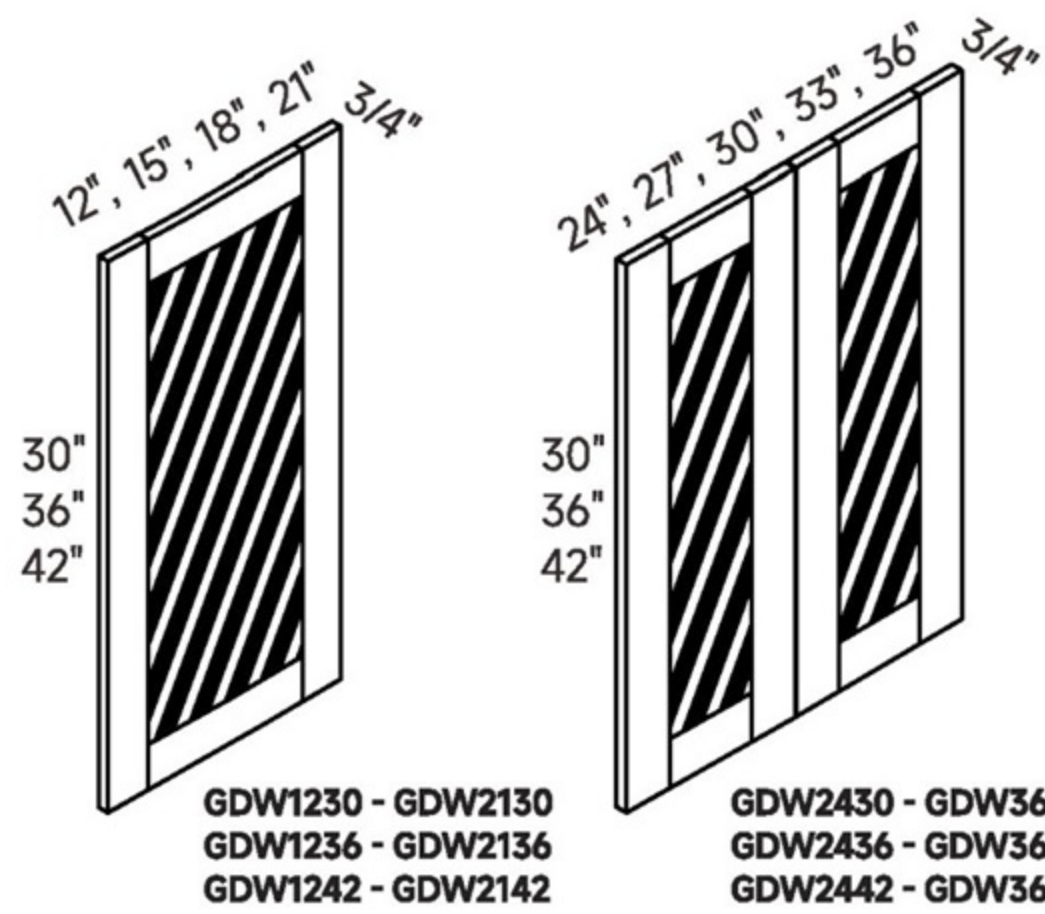
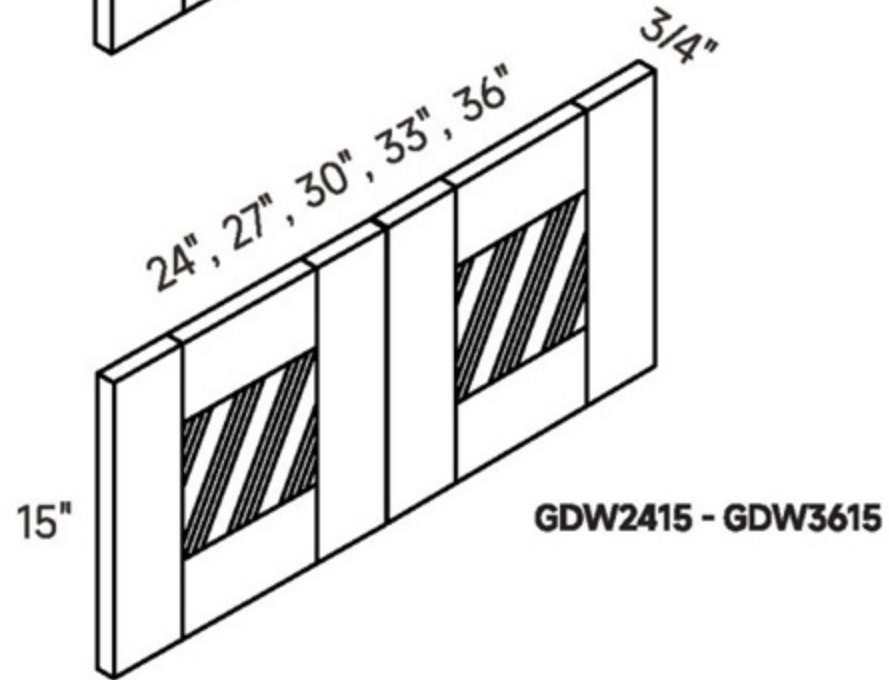
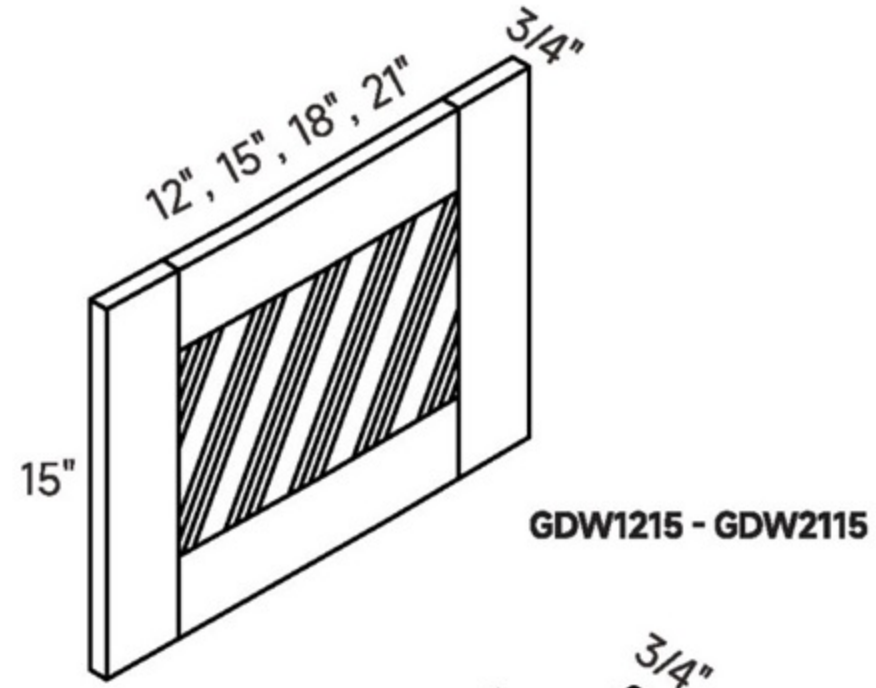
SKU	W	H	D	Door	Shelves	Opening		Door	
						Width	Height	Width	Height
WBC3630	36	30	12	1	2	19	27	21 1/2	29 1/2
WBC3636	36	36	12	1	2	19	33	21 1/2	35 1/2
WBC3642	36	42	12	1	3	19	39	21 1/2	41 1/2

Must use filler on adjacent side (not supplied)

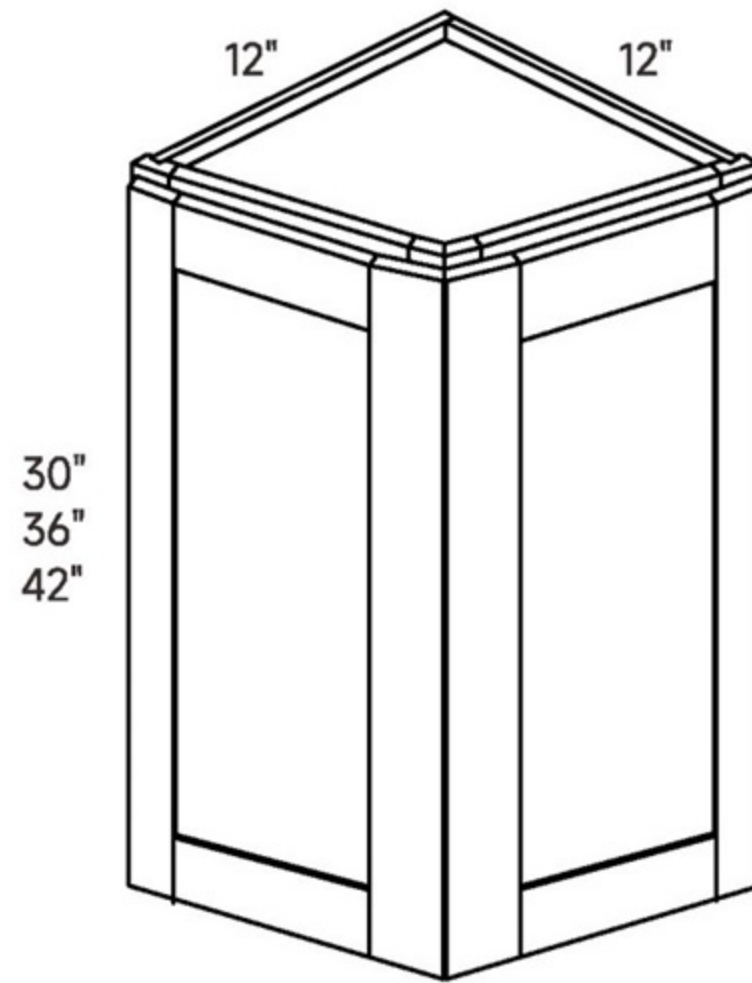


Glass

SKU	W	H	D
GDW1215	11 1/2	14 1/2	3/4
GDW1515	14 1/2	14 1/2	3/4
GDW1815	17 1/2	14 1/2	3/4
GDW2115	20 1/2	14 1/2	3/4
GDW2415	11 3/4	14 1/2	3/4
GDW2715	13 1/4	14 1/2	3/4
GDW3015	14 3/4	14 1/2	3/4
GDW3315	16 1/4	14 1/2	3/4
GDW3615	17 3/4	14 1/2	3/4
GDWDC2415	14 1/2	14 1/2	3/4
GDW1230	11 1/2	29 1/2	3/4
GDW1530	14 1/2	29 1/2	3/4
GDW1830	17 1/2	29 1/2	3/4
GDW2130	20 1/2	29 1/2	3/4
GDW2430	11 3/4	29 1/2	3/4
GDW2730	13 1/4	29 1/2	3/4
GDW3030	14 3/4	29 1/2	3/4
GDW3330	16 1/4	29 1/2	3/4
GDW3630	17 3/4	29 1/2	3/4
GDW1236	11 1/2	35 1/2	3/4
GDW1536	14 1/2	35 1/2	3/4
GDW1836	17 1/2	35 1/2	3/4
GDW2136	20 1/2	35 1/2	3/4
GDW2436	11 3/4	35 1/2	3/4
GDW2736	13 1/4	35 1/2	3/4
GDW3036	14 3/4	35 1/2	3/4
GDW3336	16 1/4	35 1/2	3/4
GDW3636	17 3/4	35 1/2	3/4
GDW1242	11 1/2	41 1/2	3/4
GDW1542	14 1/2	41 1/2	3/4
GDW1842	17 1/2	41 1/2	3/4
GDW2142	20 1/2	41 1/2	3/4
GDW2442	11 3/4	41 1/2	3/4
GDW2742	13 1/4	41 1/2	3/4
GDW3042	14 3/4	41 1/2	3/4
GDW3342	16 1/4	41 1/2	3/4
GDW3642	17 3/4	41 1/2	3/4
GDWDC2430	14 1/2	29 1/2	3/4
GDWDC2436	14 1/2	35 1/2	3/4
GDWDC2442	14 1/2	41 1/2	3/4

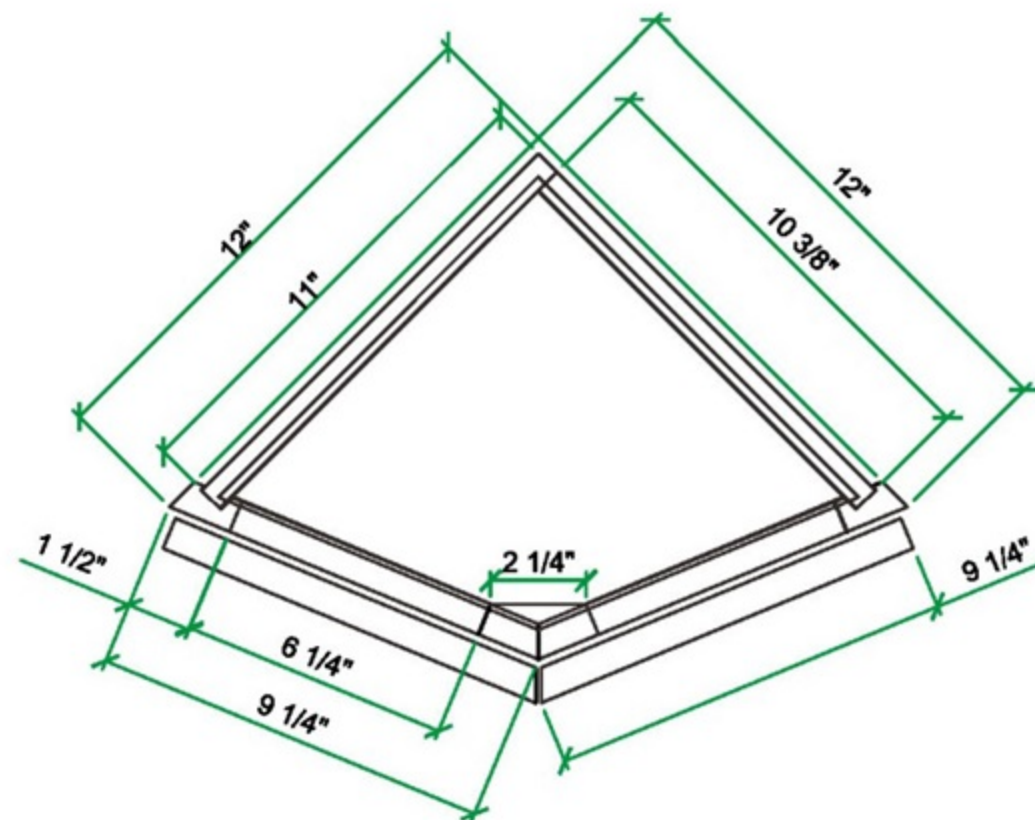
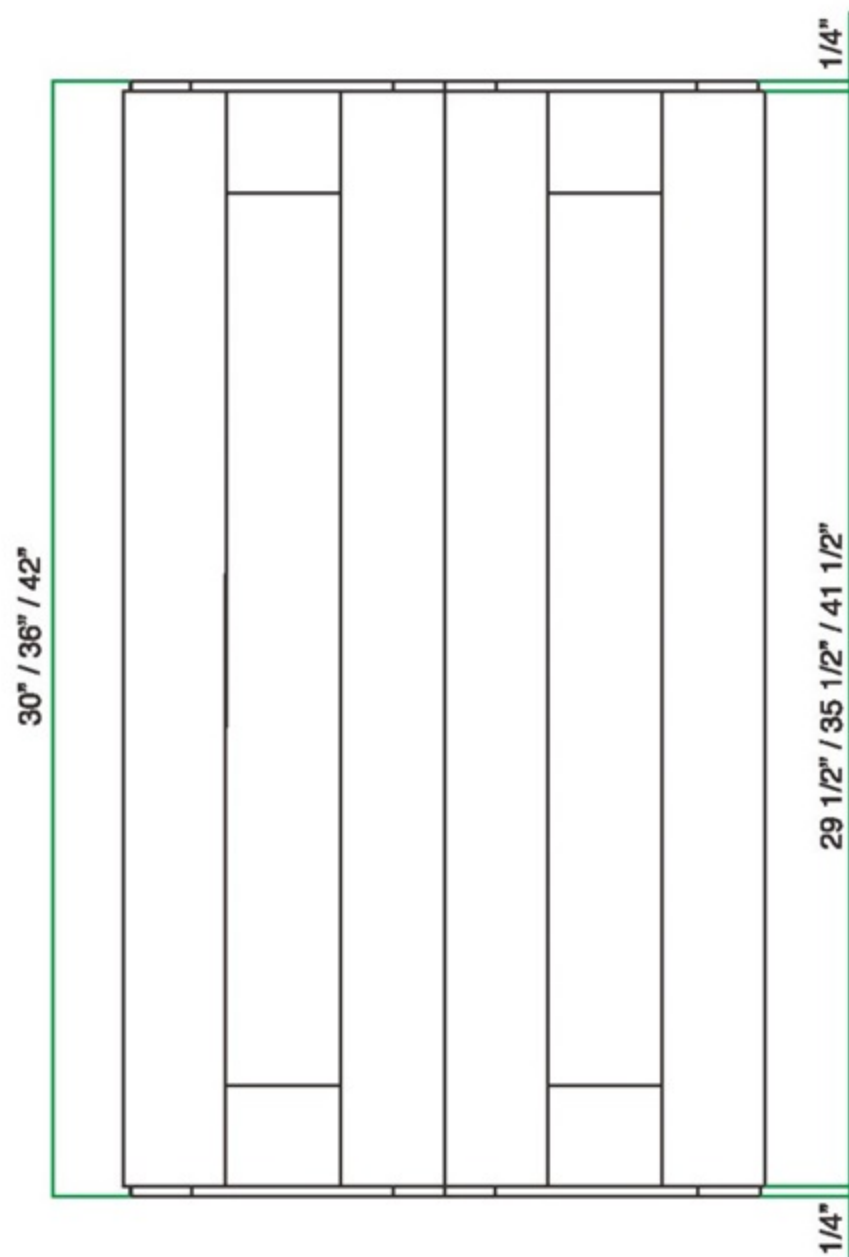


Wall Angle End



SPECIALTY WALL CABINETS

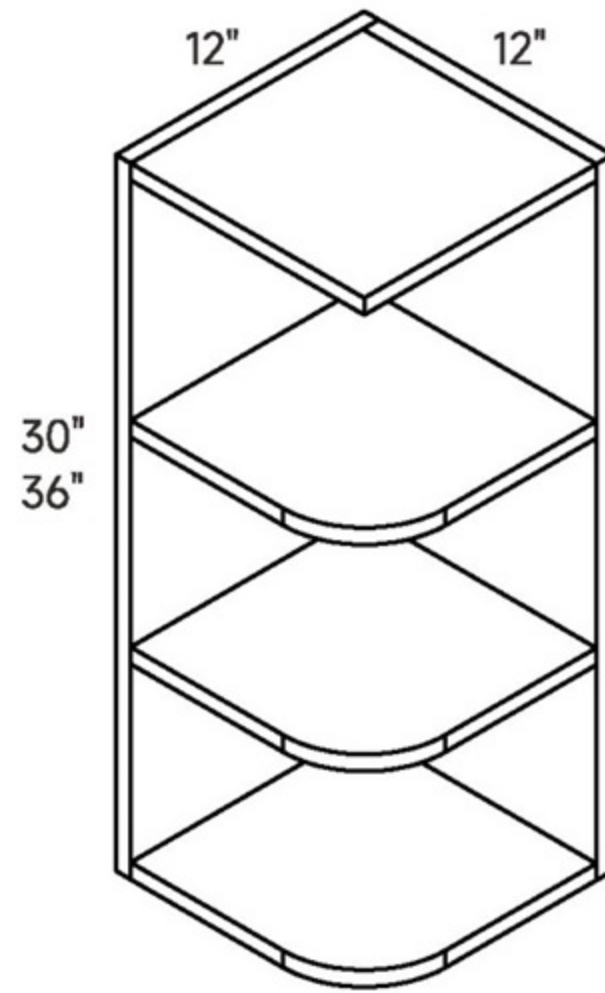
Cabinet Dimensions



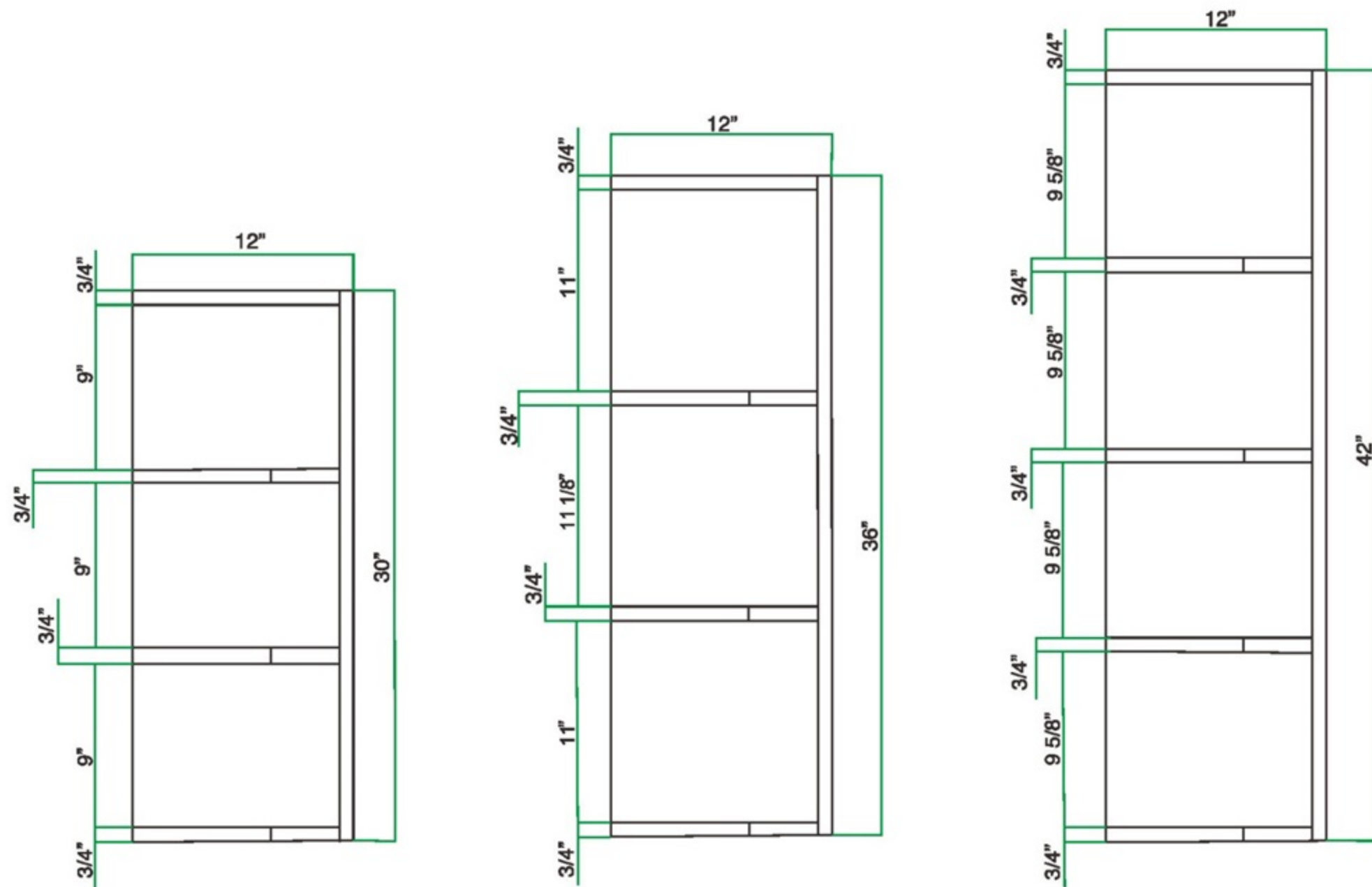
SKU	W	I	H	D	Door	Shelves	Opening		Door	
							Width	Height	Width	Height
WAE1230	12		30	12	2	2	6 1/4	27	9 1/4	29 1/2
WAE1236	12		36	12	2	2	6 1/4	33	9 1/4	35 1/2
WAE1242	12		42	12	2	3	6 1/4	39	9 1/4	41 1/2



Open End



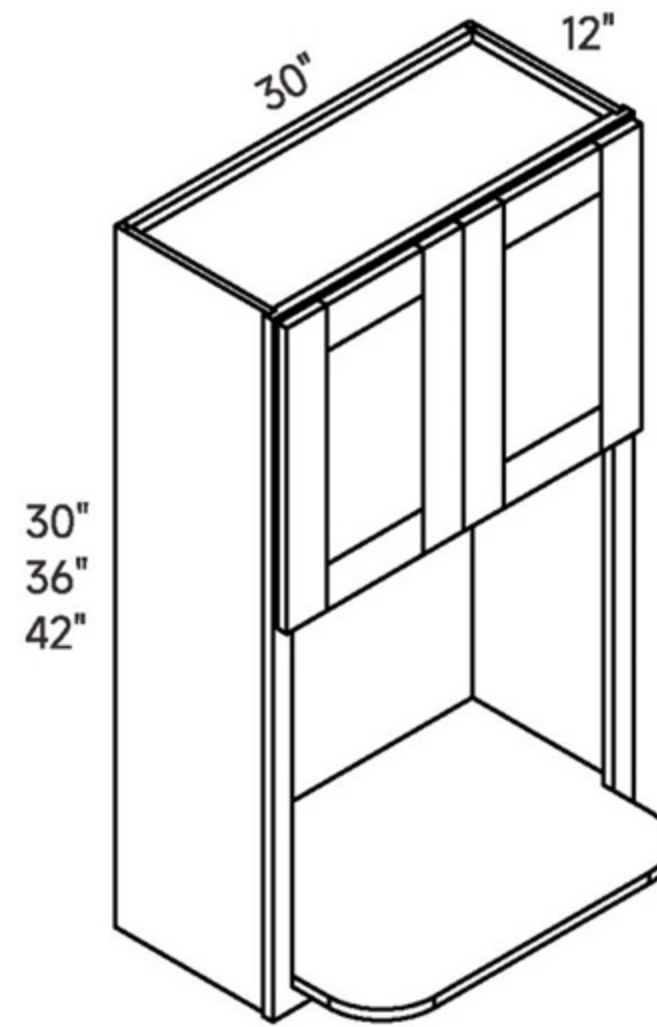
Cabinet Dimensions



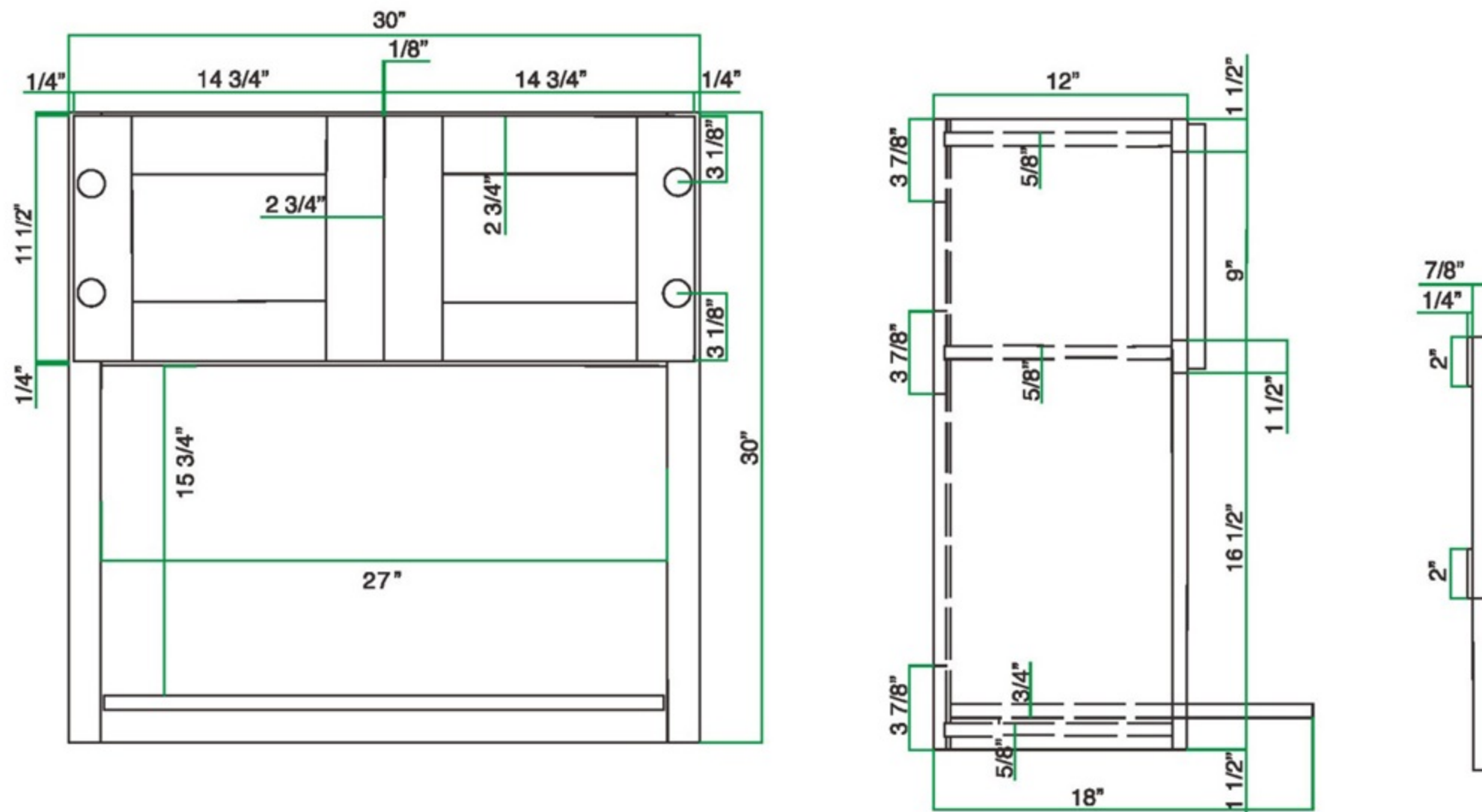
SKU	W	I	H	I	D	I	Shelves
OE1230	12		30		12		2
OE1236	12		36		12		2
OE1242	12		42		12		3

Customization is available to reduce depth for a modification fee (\$150).

Wall Microwave



Cabinet Dimensions

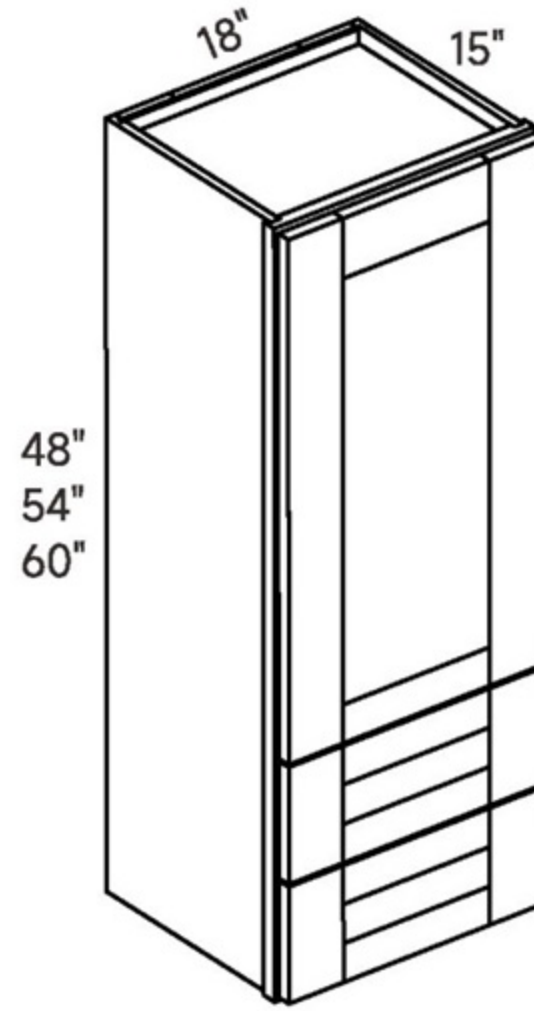


SKU	W	I	H	D	Door	Shelves	Opening		Door	
							Width	Height	Width	Height
WM3030	30		30	12	2	0	27	9	14 3/4	11 1/2
WM3036	30		36	12	2	0	27	15	14 3/4	17 1/2
WM3042	30		42	12	2	1	27	21	14 3/4	23 1/2

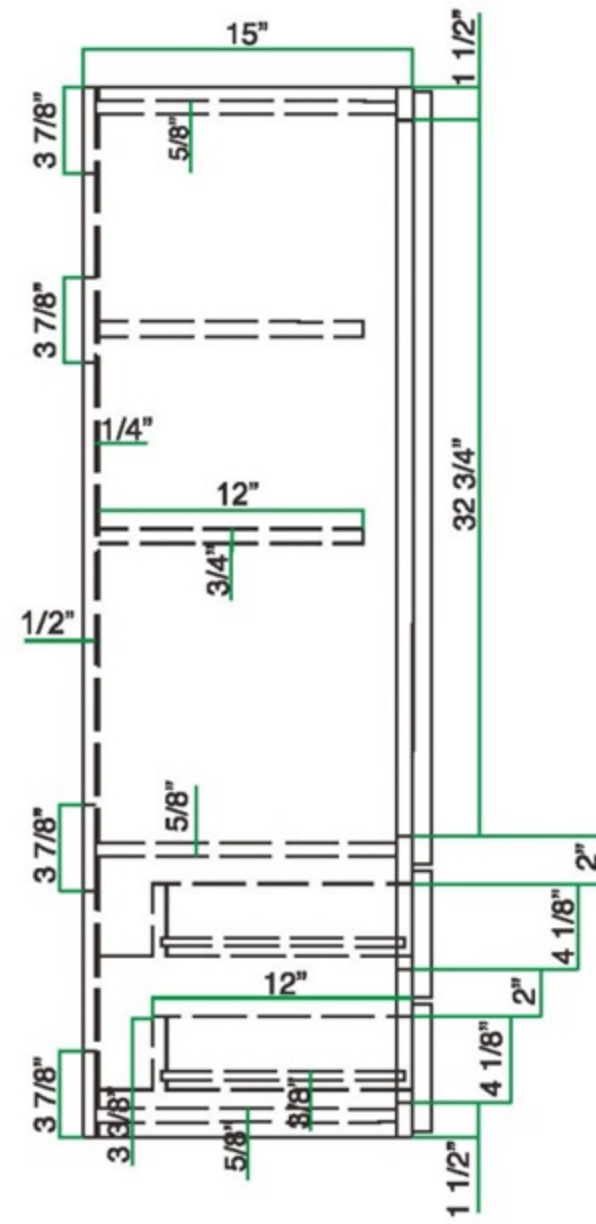
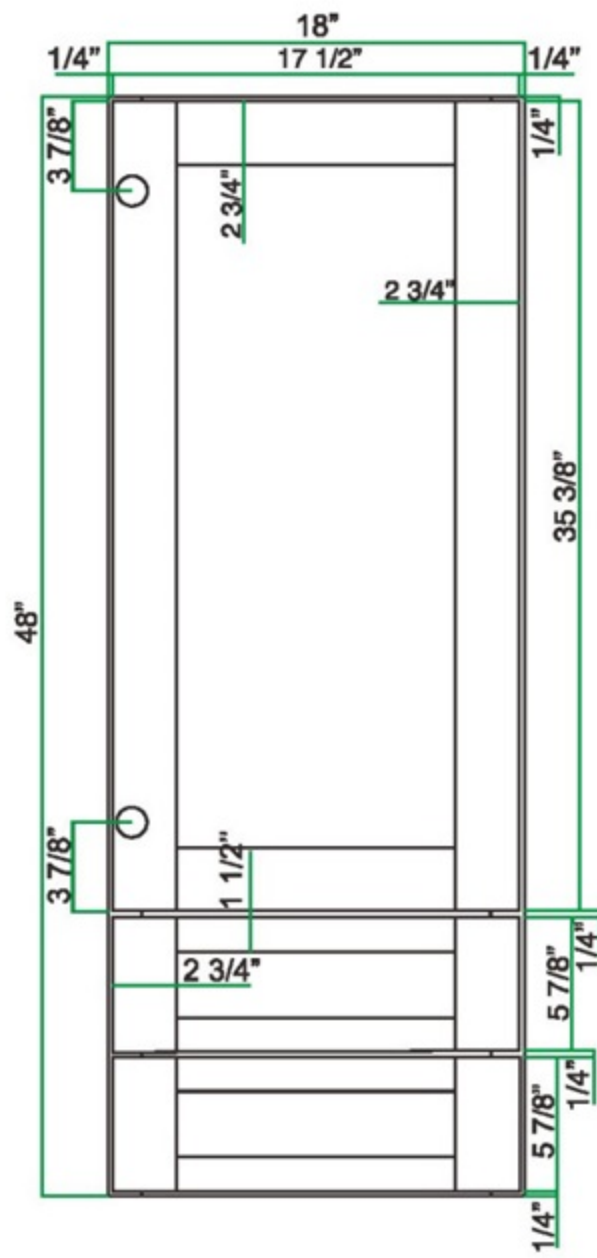
SPECIALTY WALL CABINETS



Wall Drawer

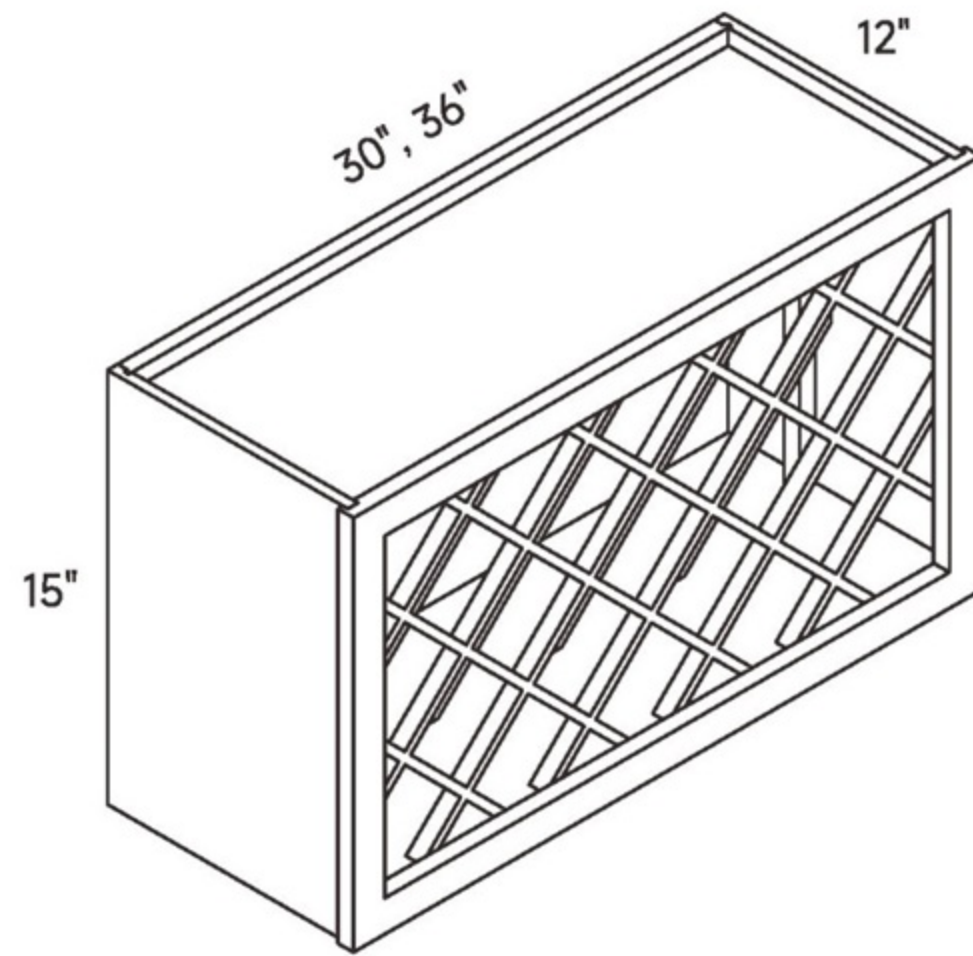


Cabinet Dimensions

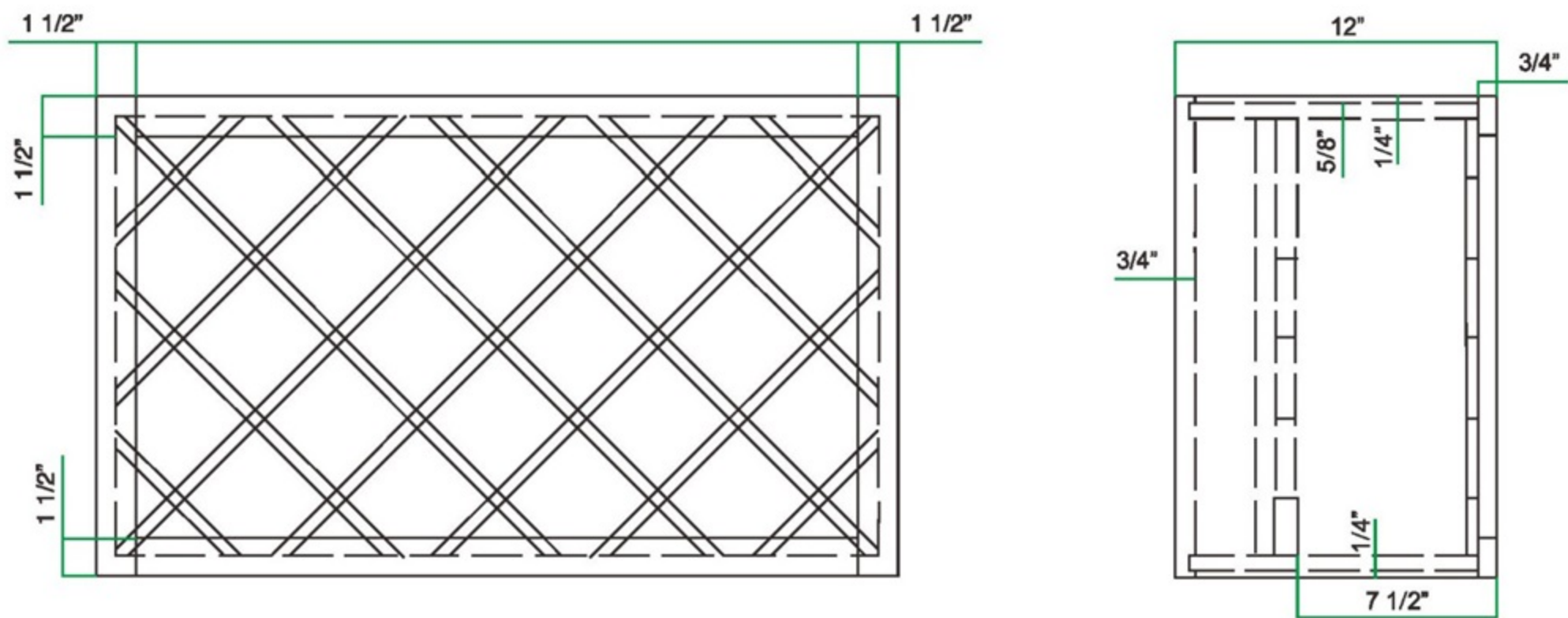


SKU	Opening			Door		Drawer opening			Drawer front Size						
	W	H	D	Door	Shelves	Width	Height	Width	Height	Width	Height1	Height2	Width	Height1	Height2
WD1848	18	48	15	1	2	15	32 3/4	17 1/2	35 3/8	15	4 1/8	4 1/8	17 1/2	5 7/8	5 7/8
WD1854	18	54	15	1	3	15	38 7/8	17 1/2	41 3/8	15	4 1/8	4 1/8	17 1/2	5 7/8	5 7/8
WD1860	18	60	15	1	3	15	44 3/4	17 1/2	47 3/8	15	4 1/8	4 1/8	17 1/2	5 7/8	5 7/8

Wine Rack



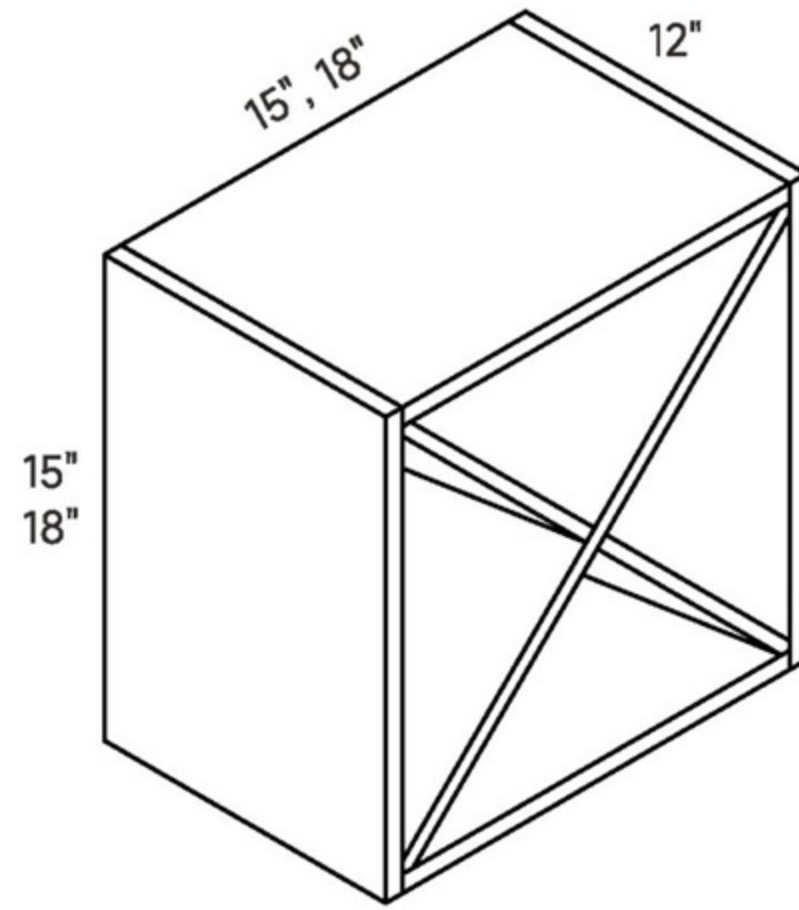
Cabinet Dimensions



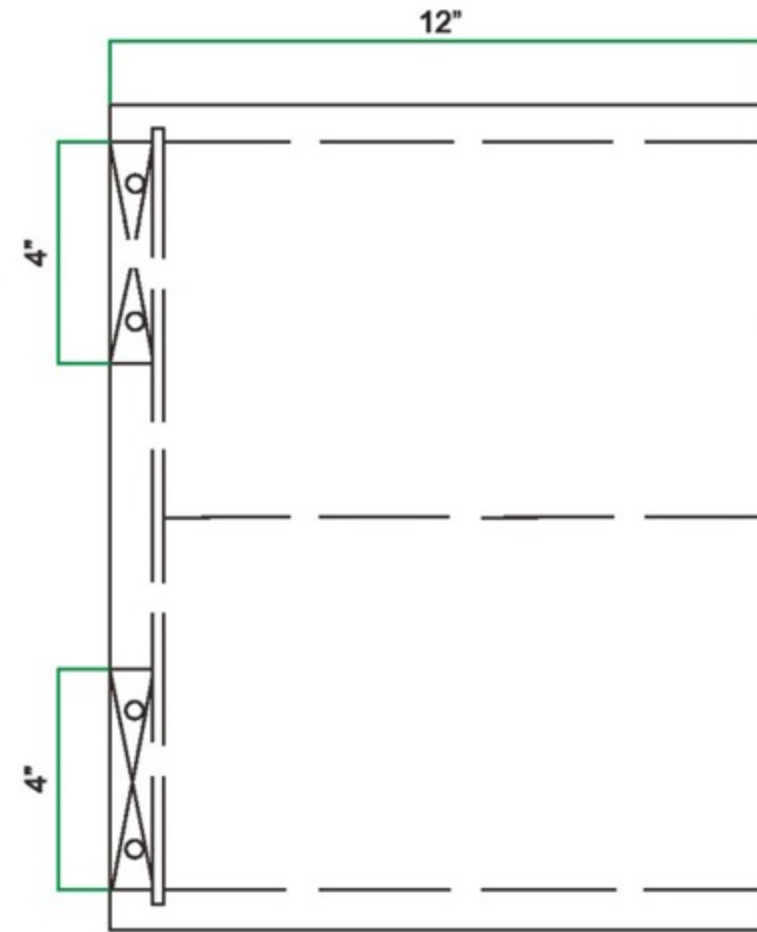
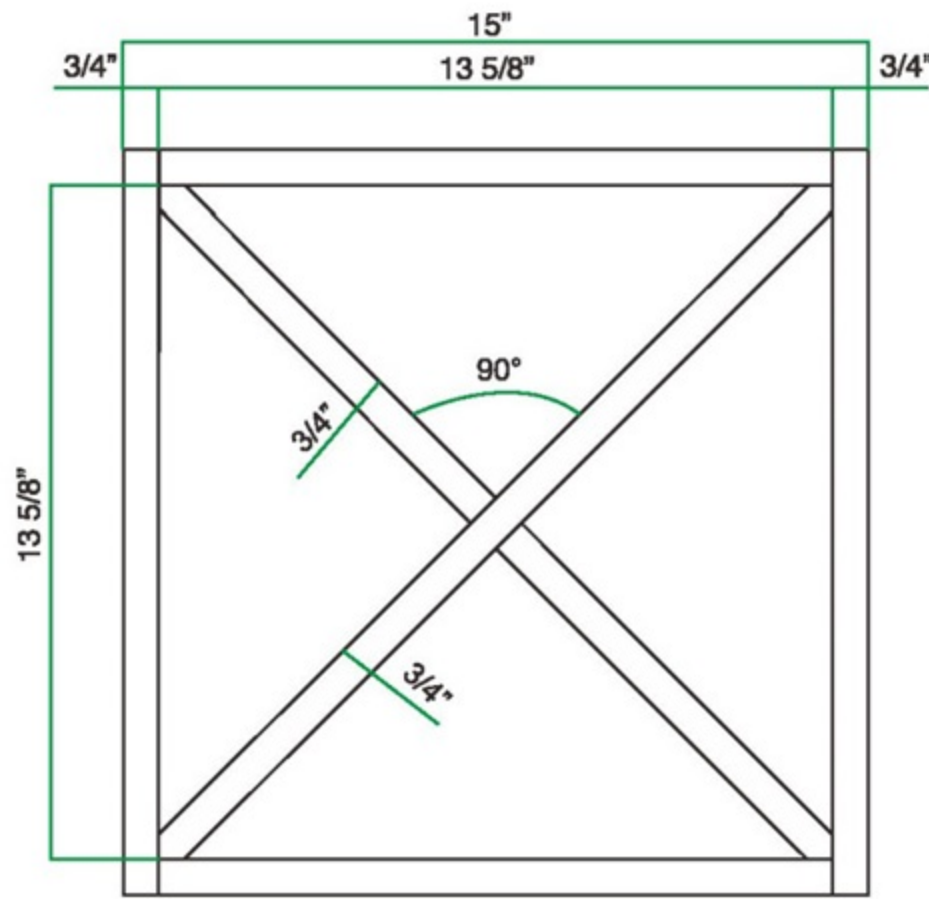
SPECIALTY WALL CABINETS

SKU	W	I	H	I	D
WR3015	30		15		12
WR3615	36		15		12

Wine Rack

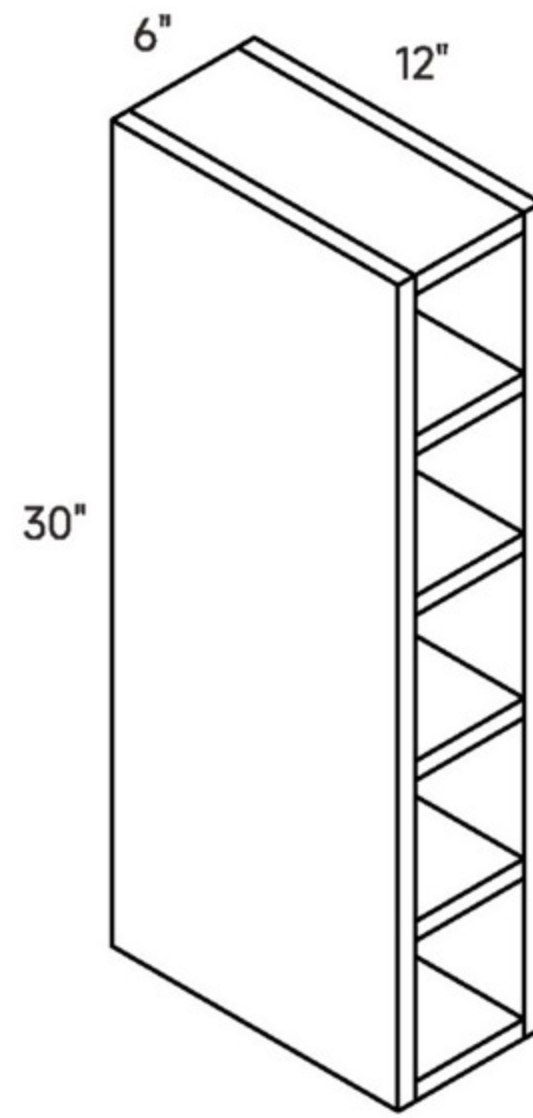


Cabinet Dimensions



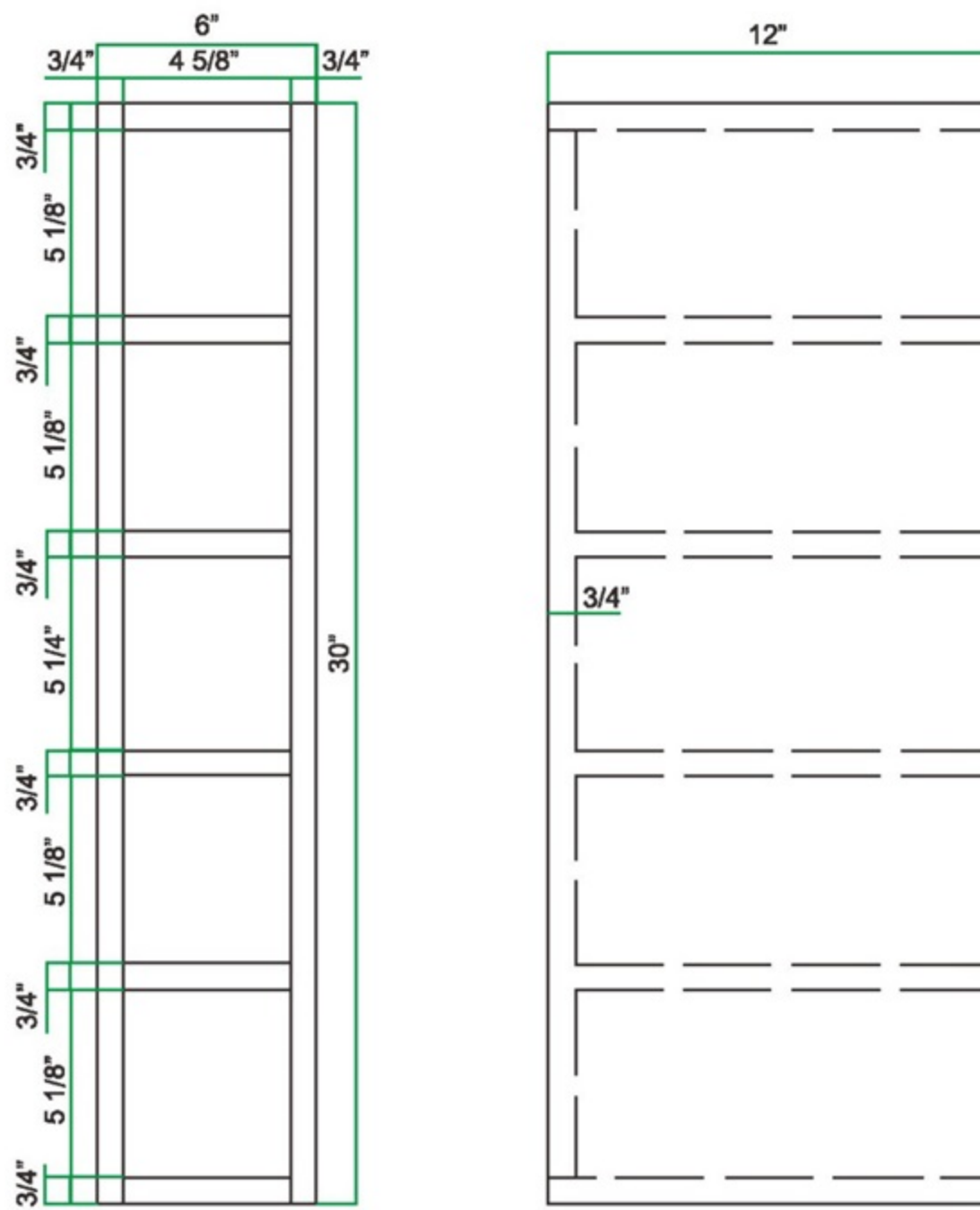
SKU	W	H	D
WR1515	15	15	12
WR1818	18	18	12

Wine Cube



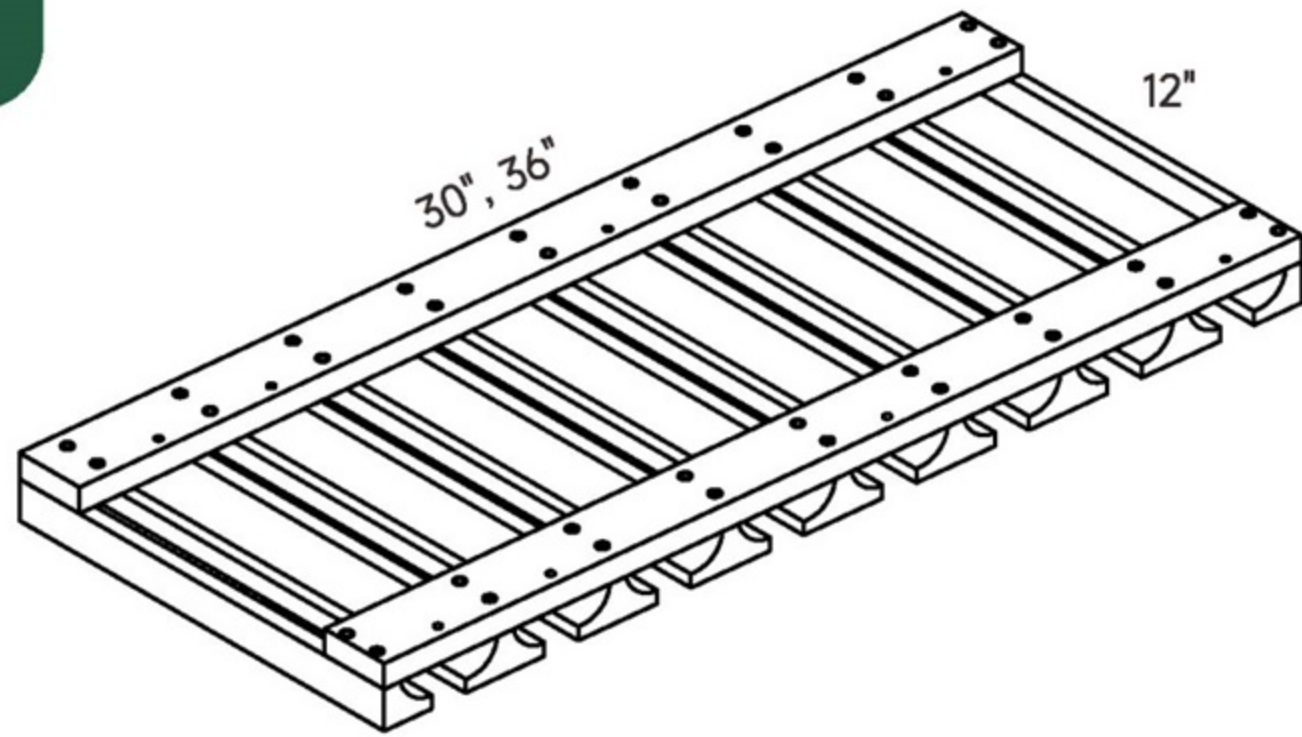
SPECIALTY WALL CABINETS

Cabinet Dimensions

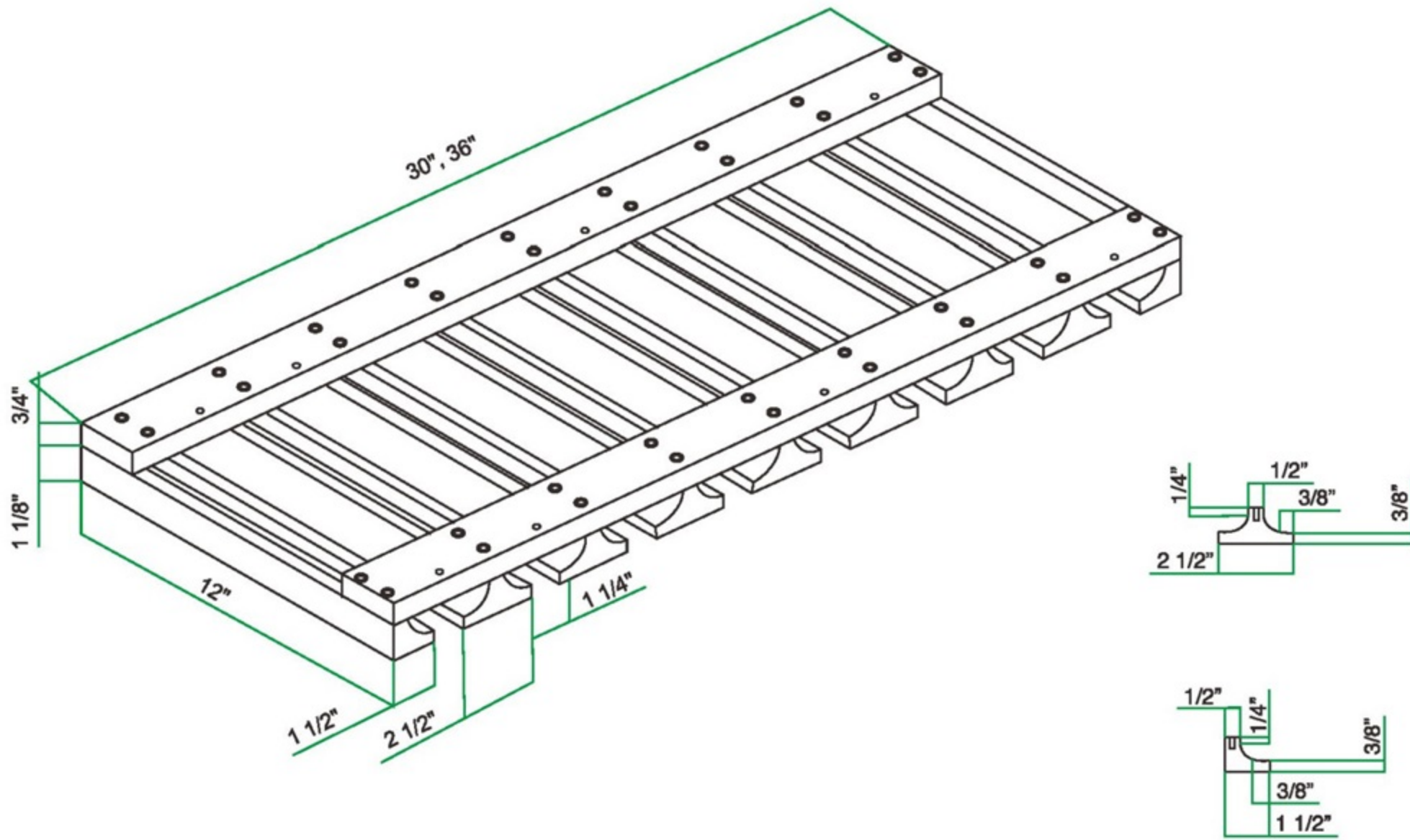


SKU	W	I	H	I	D
WC0630	6		30		12
WC0636	6		36		12
WC0642	6		42		12

Glass Holder

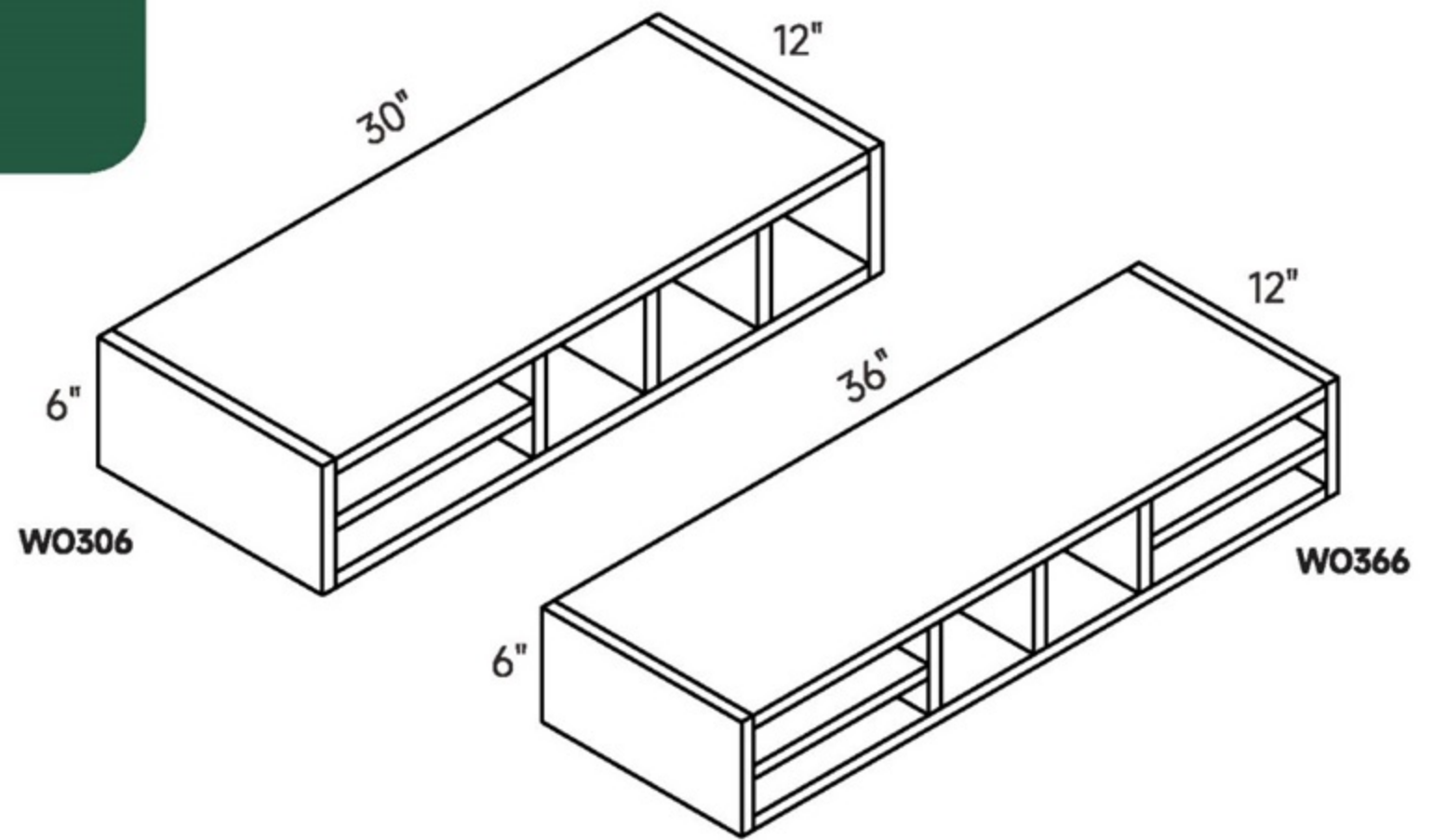


Cabinet Dimensions



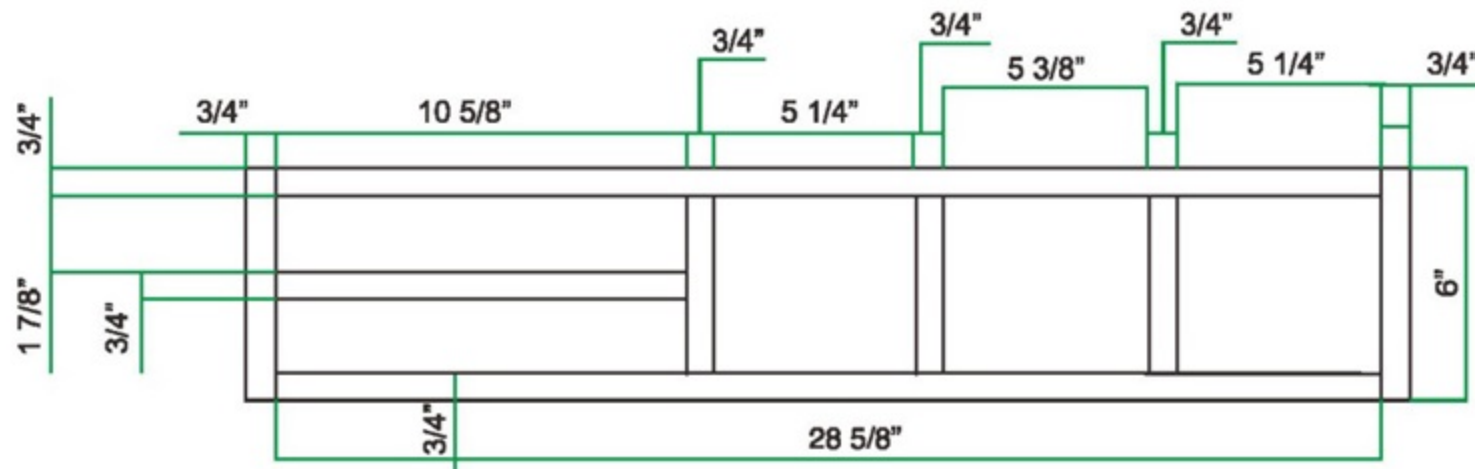
SKU	W	I	H	I	D
GL-30	30		2		12
GL-36	36		2		12

Wall Organizer

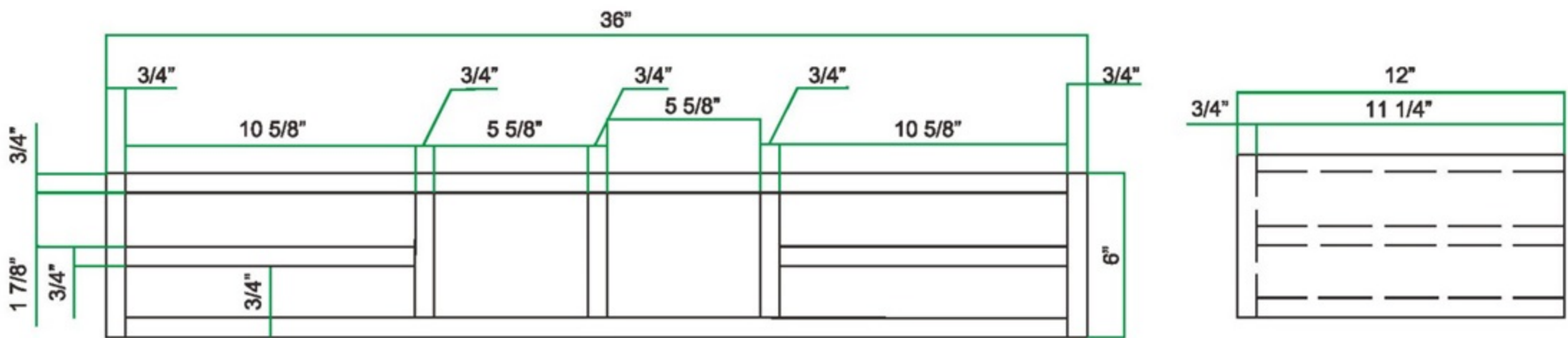


Cabinet Dimensions

WO306

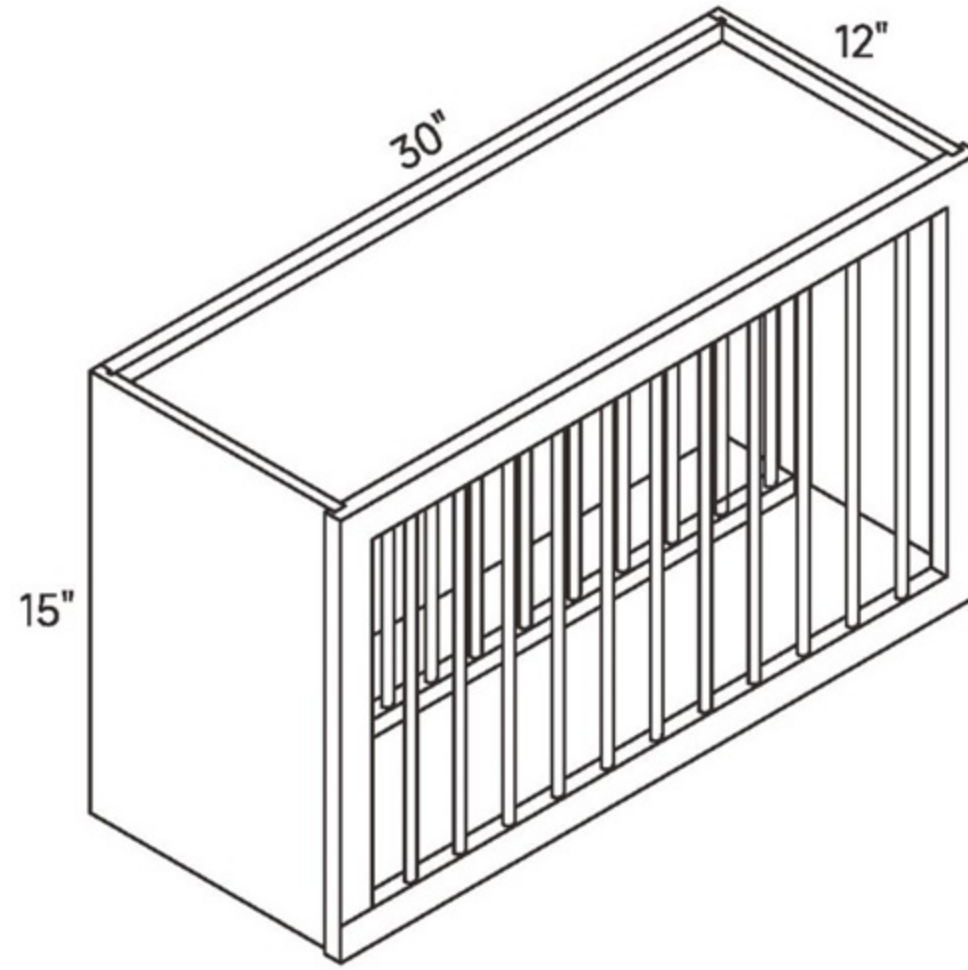


WO366

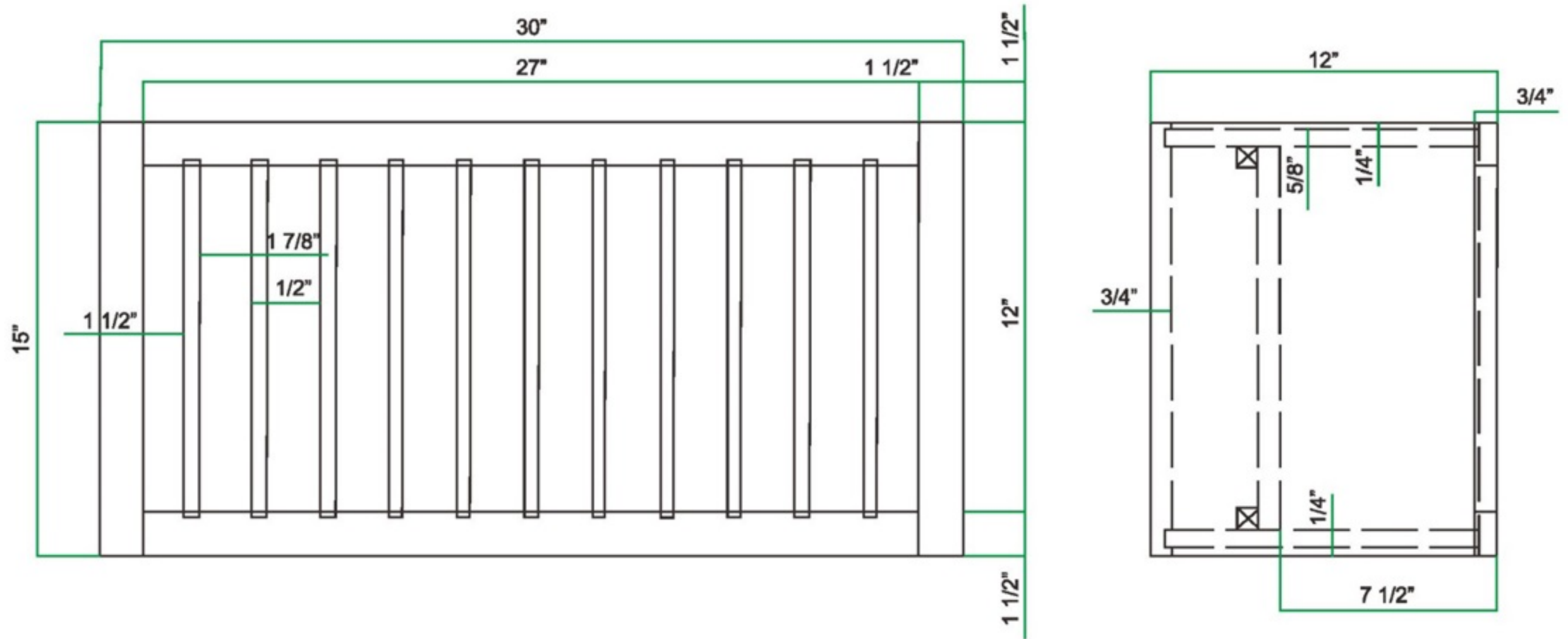


SKU	W	I	H	I	D
WO306	30		6		12
WO366	36		6		12

Plate Rack

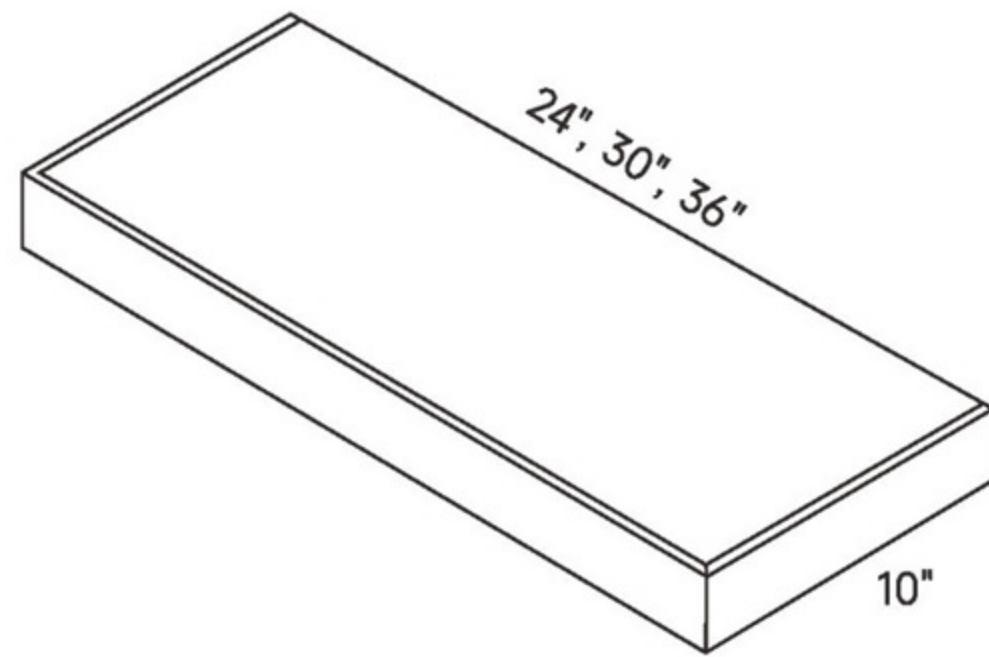


Cabinet Dimensions

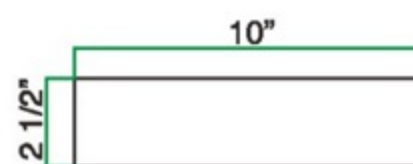
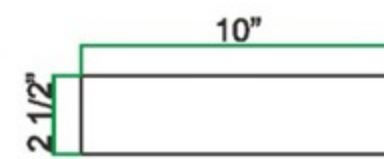
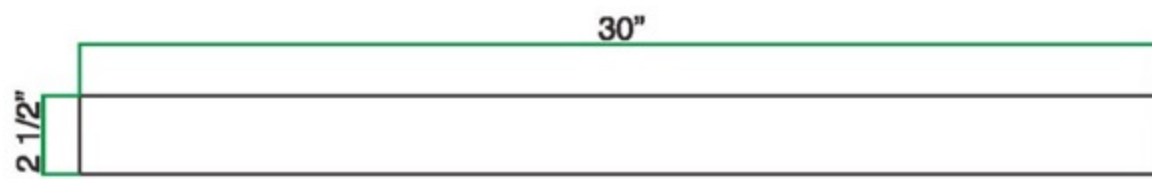
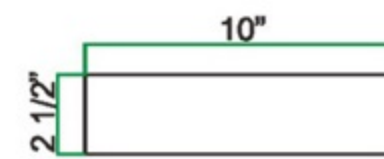


SKU	W	I	H	I	D
PR3015	30		15		12

Floating Shelf



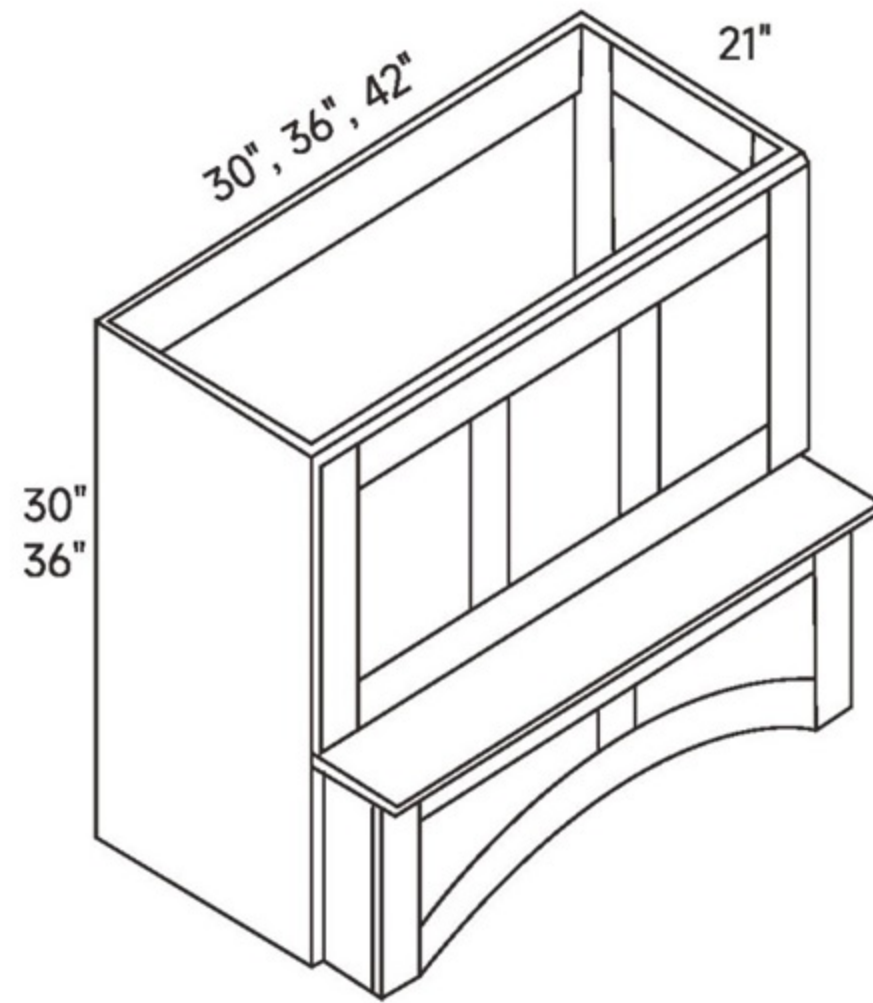
Cabinet Dimensions



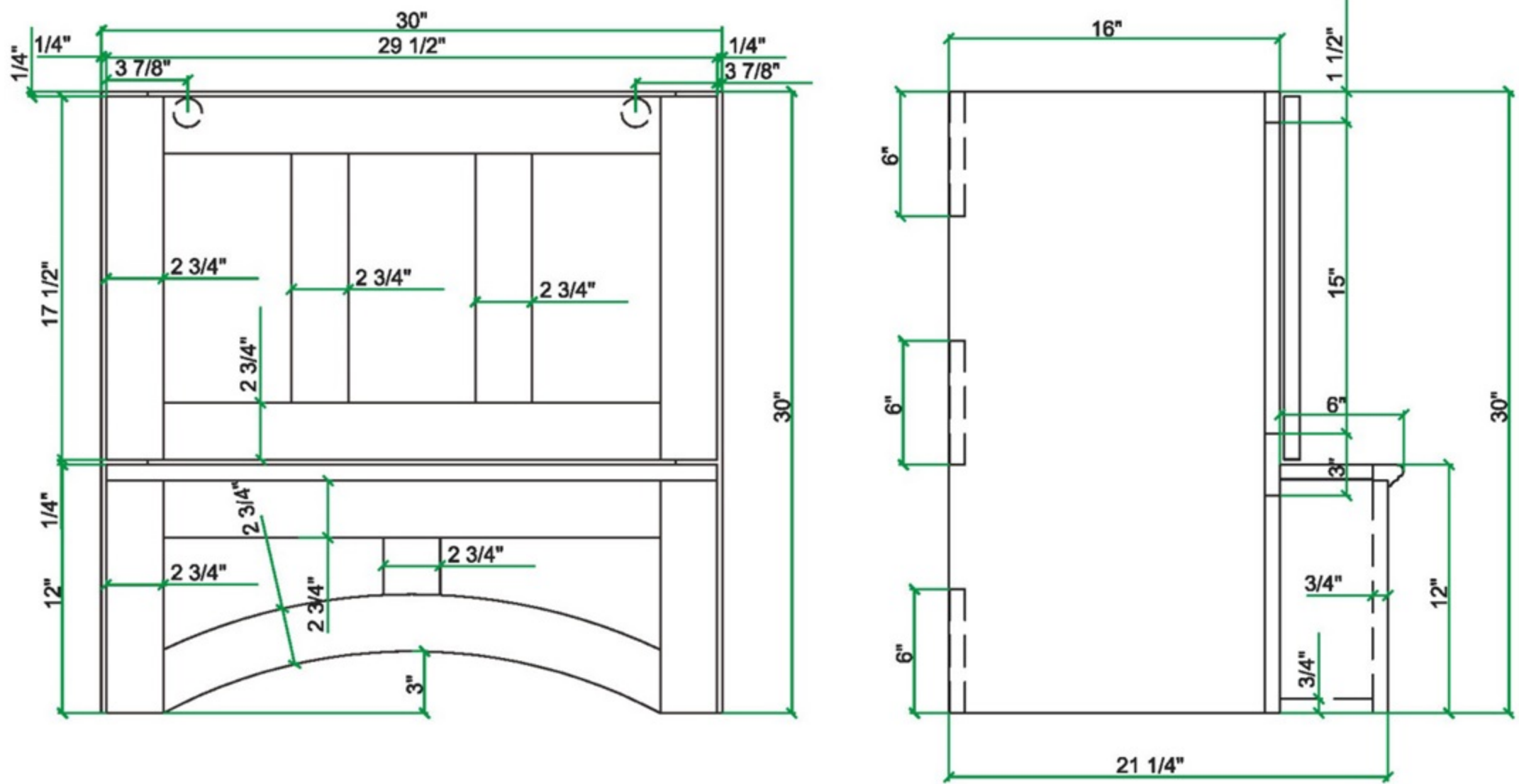
SKU	W	I	H	I	D
FLS24	24		10		2 1/2
FLS30	30		10		2 1/2
FLS36	36		10		2 1/2

Hood

CUSTOM HOODS



Cabinet Dimensions

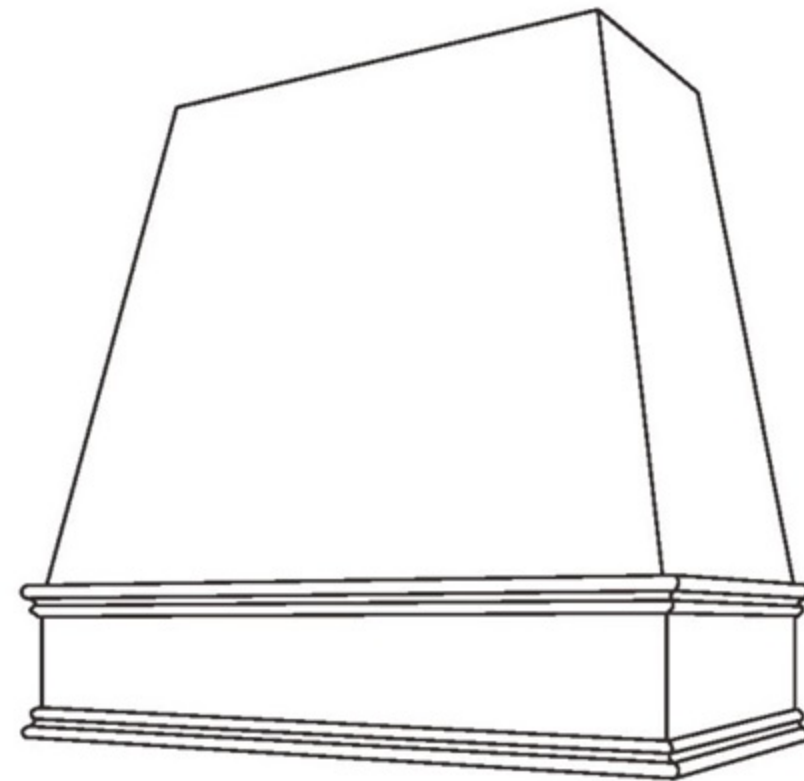


SKU	W	I	H	I	D
RHA3030	30		30		21
RHA3630	36		30		21
RHA4230	42		30		21
RHA4236	42		36		21

Comes with liner and Ventilation

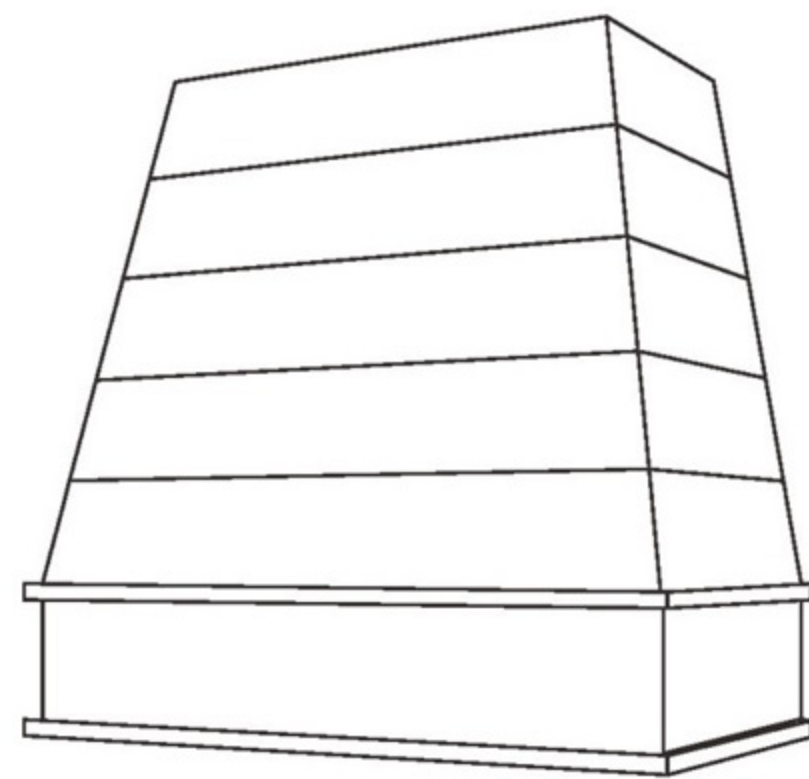
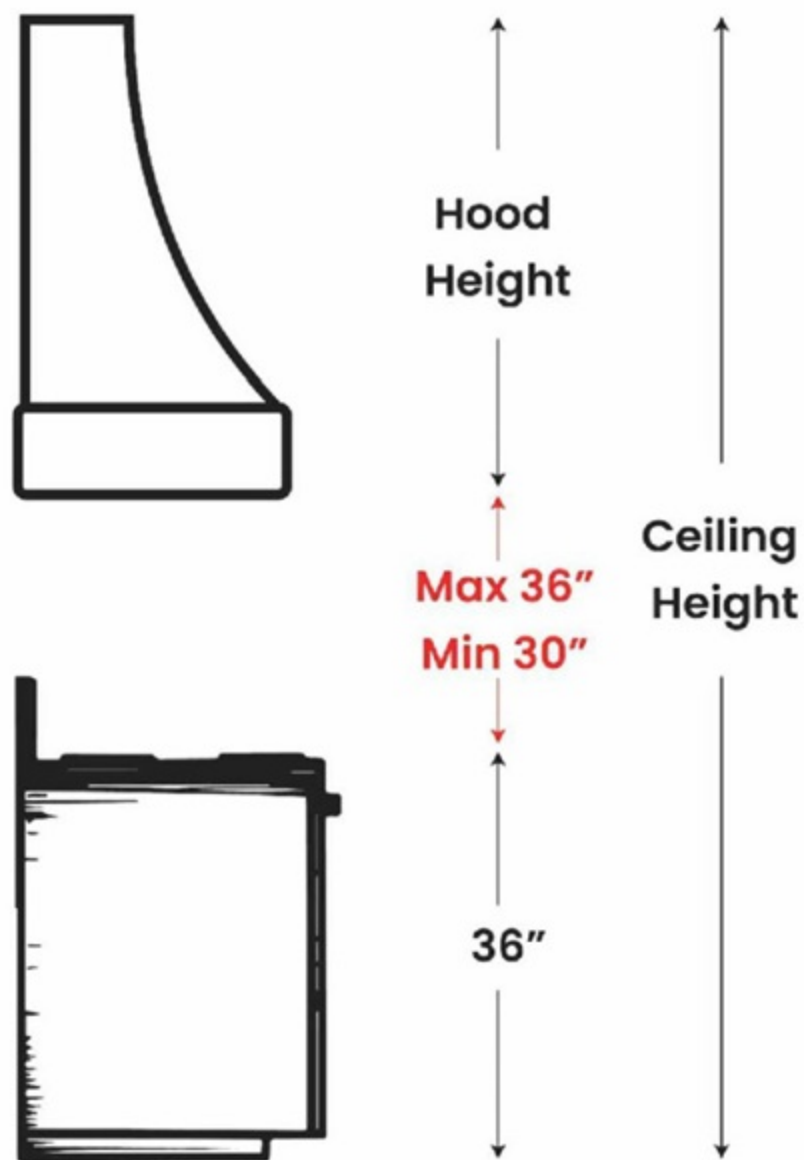


Hood



CUSTOM HOODS

Cabinet Dimensions



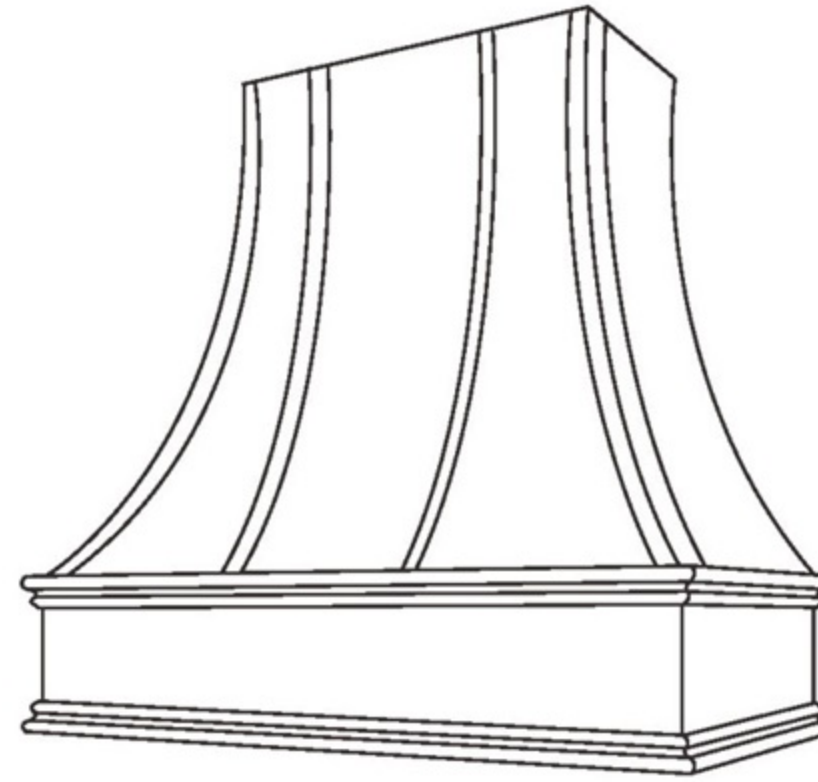
Proudly Handcrafted In The USA

Example: 108" (9' ceiling) - 36" (standard cook top height) - 30" (desired height above cook top, between 30" and 36") = hood height

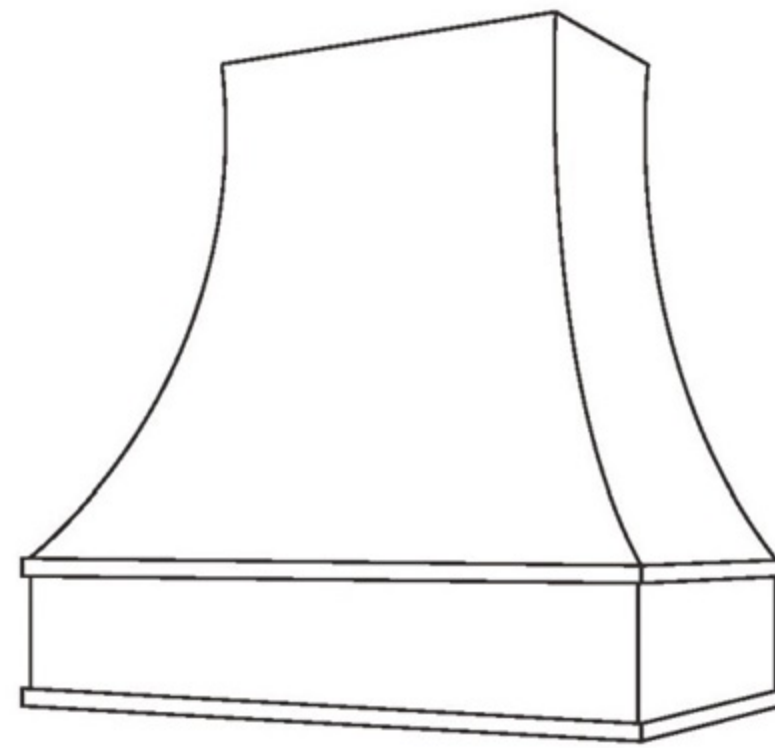
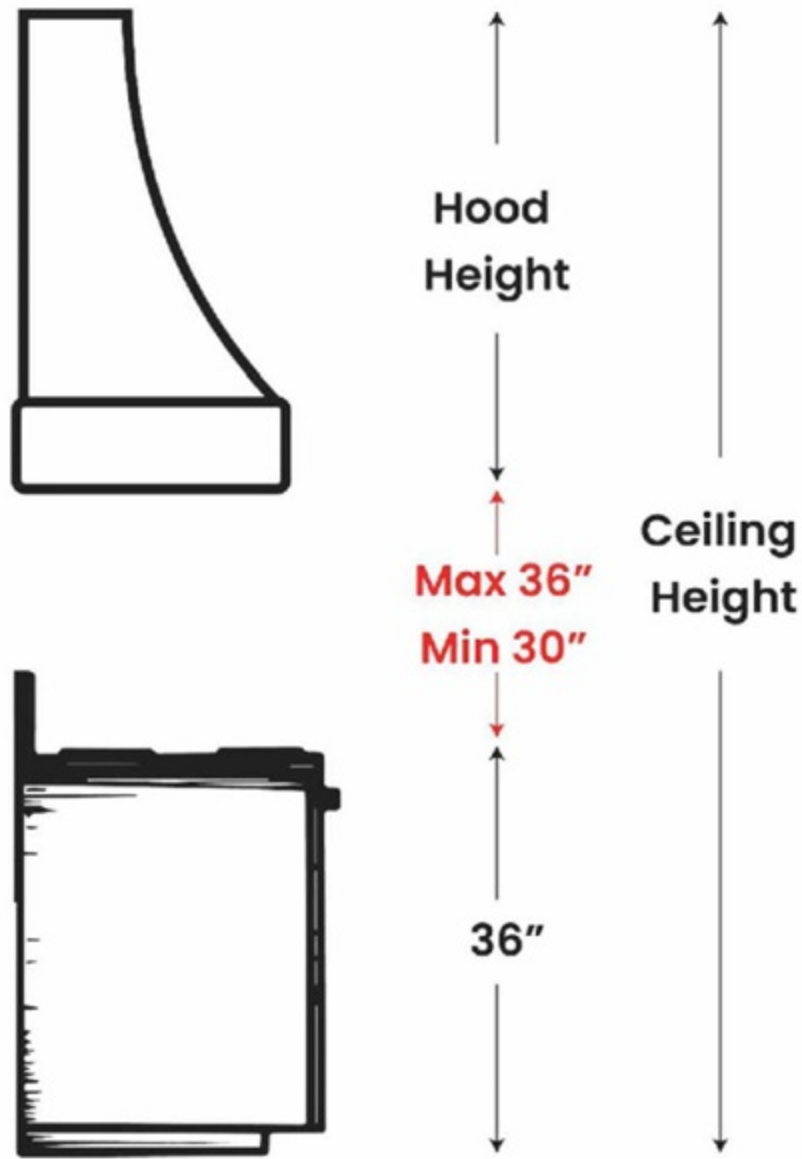
SKU	W	I	H	I	D
RHT3036	31 1/2		36		20
RHT3636	37 1/2		36		20
RHT4236	43 1/2		36		20
RHTS3036	31 1/2		36		20
RHTS3636	37 1/2		36		20
RHTS4236	43 1/2		36		20

Trimable on site up to 6",
6" or 12" extension and ventilation is available. See Component parts page.

Hood



Cabinet Dimensions



Proudly Handcrafted In The USA

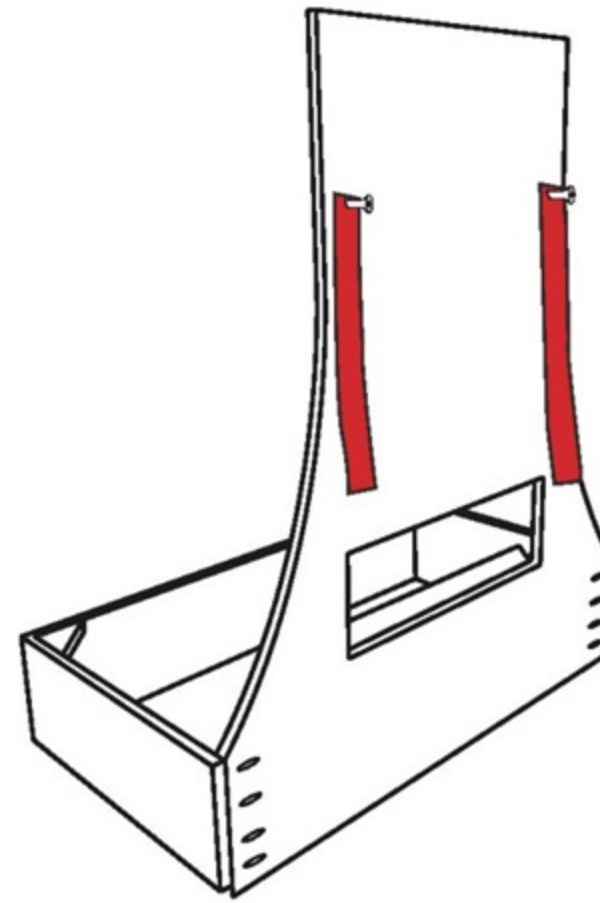
Example: $108''$ (9' ceiling) - $36''$ (standard cook top height) - $30''$ (desired height above cook top, between $30''$ and $36''$) = hood height

SKU	W	I	H	I	D
RHC3036	31 1/2		36		20
RHC3636	37 1/2		36		20
RHC4236	43 1/2		36		20
RHCS3036	31 1/2		36		20
RHCS3636	37 1/2		36		20
RHCS4236	43 1/2		36		20

Trimable on site up to 6",
6" or 12" extension and ventilation is available. See Component parts page.

BEFORE YOU BEGIN

Please remove the two packing screws from the back of the hood. These screws are marked with red flagging tape and are only used for shipping purposes.



Installation Manual

For custom hoods, you should always choose a licensed and experienced electrician, HVAC contractor and cabinet installation professional to assist in proper installation. Above all, you should ensure your new custom hoods meets all the building codes in your area. While this installation is not difficult, you must have electrical, ventilation, and finish carpentry skills. You may need to cut, sand, chisel, and other basic woodworking functions to complete the install. You, as the installer, are responsible to make sure you leave appropriate clearances above and below your range hood.

802 Cabinetry is not responsible for the install, or for lack of comprehension of the installation process. The installation instructions below and on the next page are general guidelines. Every installation is different, and your installation may or may not require adhesive and/or pin nailing.

- Fully inspect all product for any damage or defects before starting installation.
- It's the responsibility of the property owner to acquire any local municipal permits.

INSTALLATION

When installing ventilation, we recommend that you install the ventilation before hanging the apron portion on your wall. Installing the ventilation after the apron portion is on the wall will increase the difficulty of installation.

Please follow the instructions for the ventilation you purchased to properly duct and wire the ventilation.

We highly recommend hiring a professional contractor that is licensed and has electrical, cabinet, carpentry and HVAC experience. While this installation is not difficult, electrical, ventilation and finish carpentry skills are required. You may need to cut, sand, alter and perform other woodworking functions to complete the install. 802 Cabinetry is not responsible for failure to meet local code requirements, faulty installation methods, or other mistakes that may result from lack of understanding the skills necessary for completing the installation process.

RECOMMENDED TOOLS & MATERIALS

The tools and materials are a recommended list for the basic installation of the wood range hood. Other tools and materials may be required, such as specialty power tools, sandpaper, and miscellaneous wood working tools.



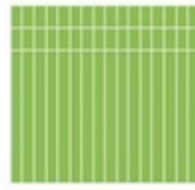
Brad Nailer



Vent Blower Unit



Level



1 1/4" Brad Nails
23 Gauge Pin Nails



Tape Measure



Power Screwdriver



Cabinet Screws

It is highly recommended to use cabinet screws (also known as washer-head or button-head screws). Typically these screws are fabricated with case hardened steel and have high tensile, torque and shear strength designed specifically for wood-to-wood fastening, especially for heavy, concentrated loads. DO NOT use 'sheet rock' screws.

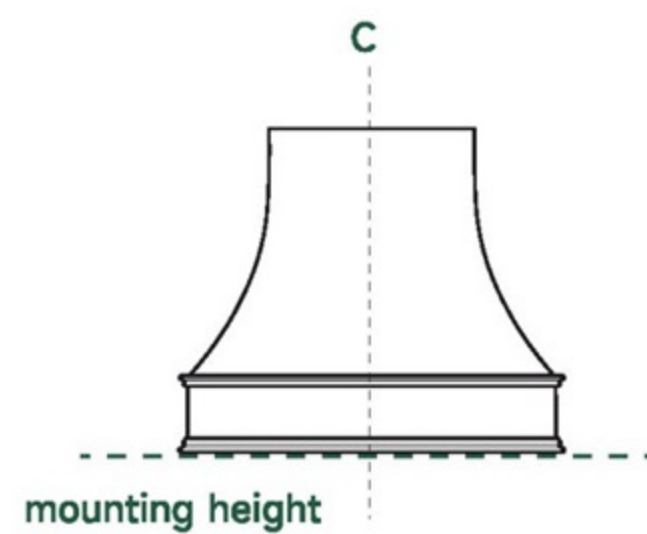


Construction Adhesive or Silicone

Depending on local municipal code adhesive/silicon may not be required. Construction adhesive (such as Liquid Nails®) may be required per code. If able, silicone is recommended because it can be removed and re-applied if future maintenance is required on the ventilation system or fan blower unit.

Note: The above list only applies to the installation of the wood range hood and does not include tools and materials for electrical and ventilation work. It is the installer's responsibility to have the tools, materials, knowledge and skill to properly install electrical and ventilation. Please refer to, and follow, the individual manufacturer's instructions for installation of the fan/blower unit, electrical connections and ventilation components.

- 1** Identify the center point of the hood and the mounting height. For the mounting height, mark a level line (on the wall) where the bottom of the hood will be. Hood should be 1/2" to 3/4" below ceiling.



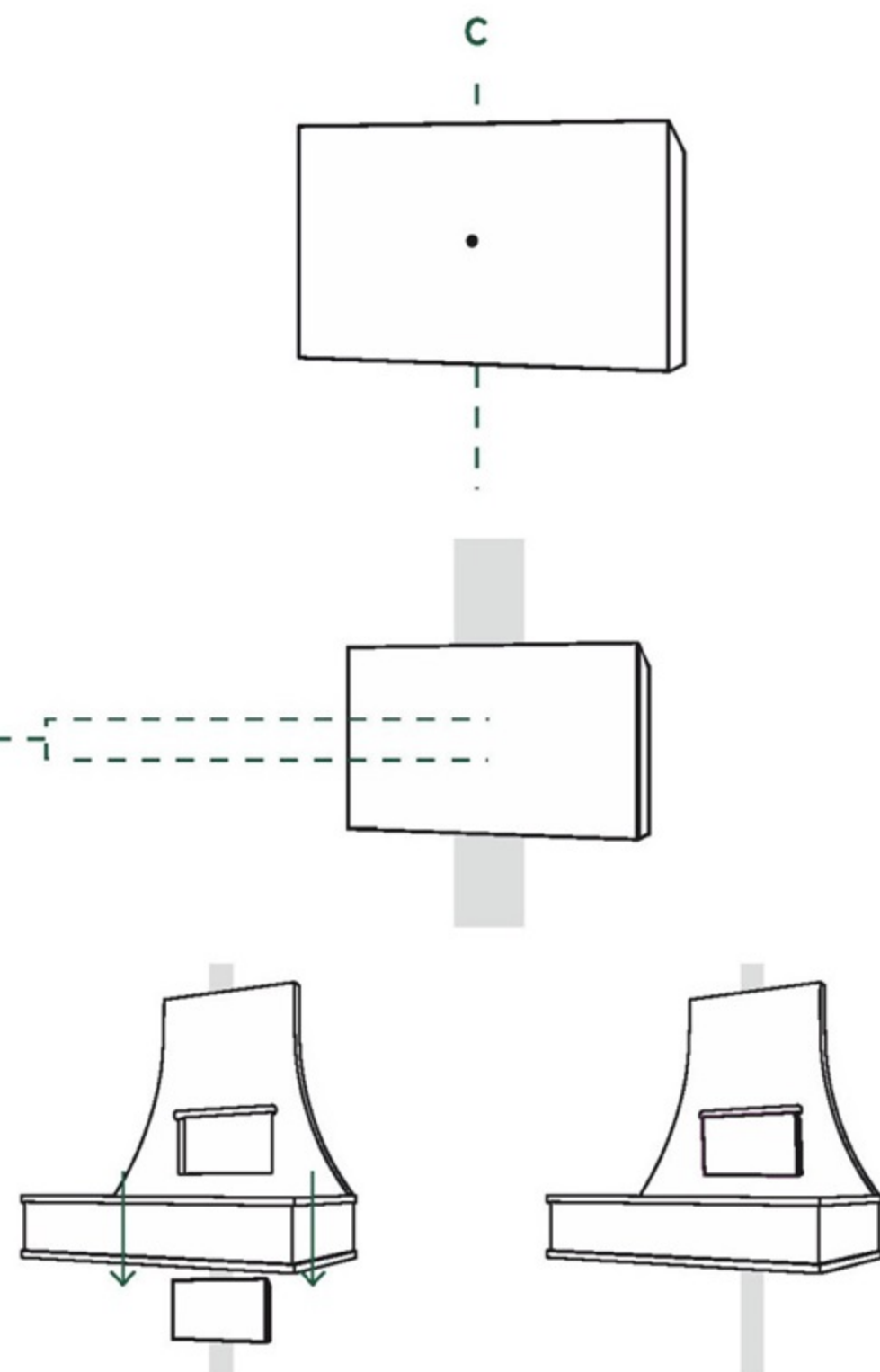
- 2** Locate and mark at least two studs in the wall for mounting.

- 3** Identify and mark the center of the mounting cleat on your Hoodsly Hood. You will have to remove this piece from your hood before hanging on the wall.

Note: Use of mounting cleat is not required.

- 4** Mount cleat using screws no less than 2 1/2" into available studs.

X2 



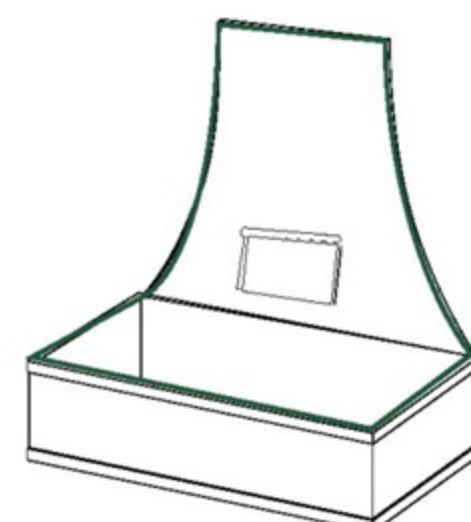
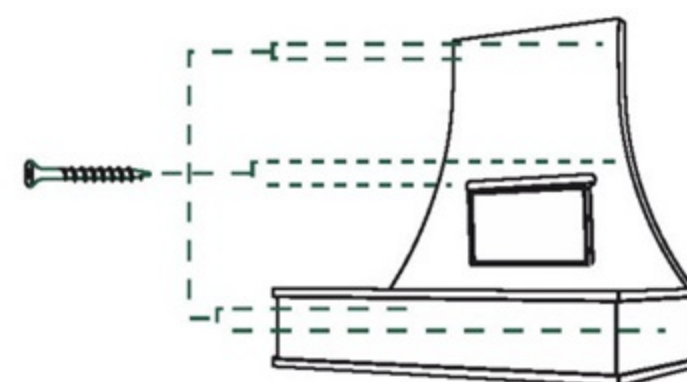
- 5** Hang hood apron onto cleat, adjust the center, and ensure a leveled positioning, see below. Mount cleat on a horizontal line into stud(s).

Note: We suggest installing ventilation into the hood apron before mounting to the wall.

- 6** Always fasten the apron back using more screws (2 1/2"+) to two studs.

- 7** Make ventilation connections before moving onto step 8.

- 8** If needed, apply adhesive as shown in bold. Then, install chimney and fasten using 23 gauge nails for positioning as shown on the right.

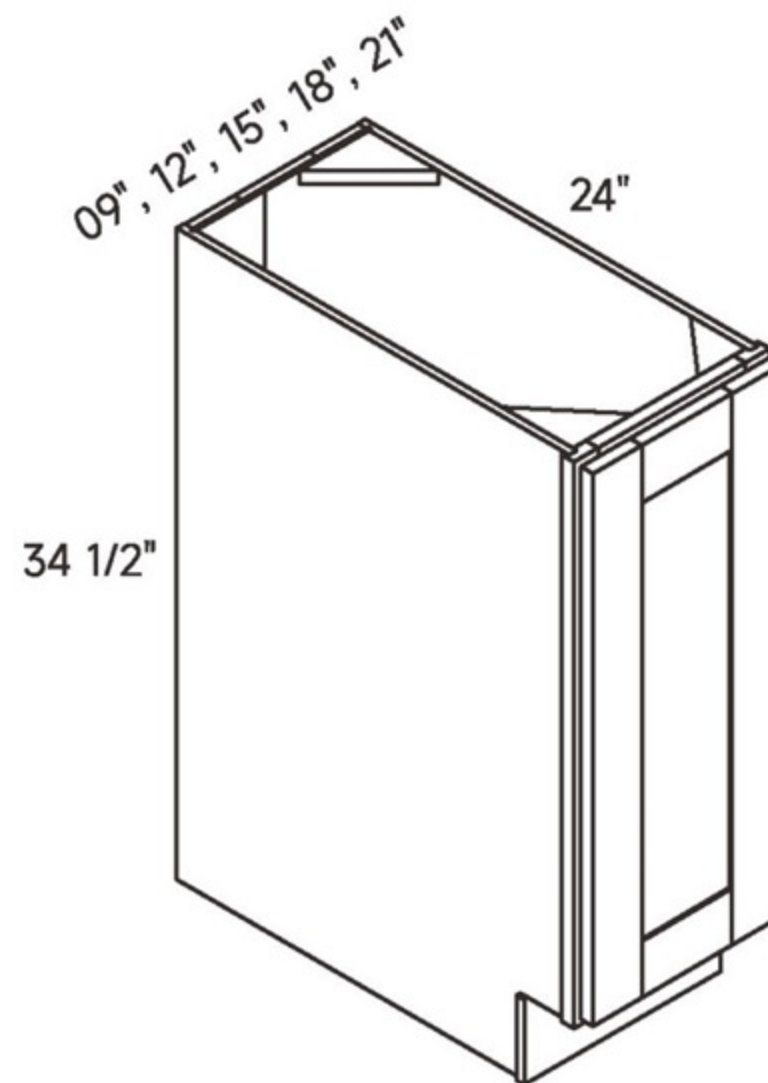




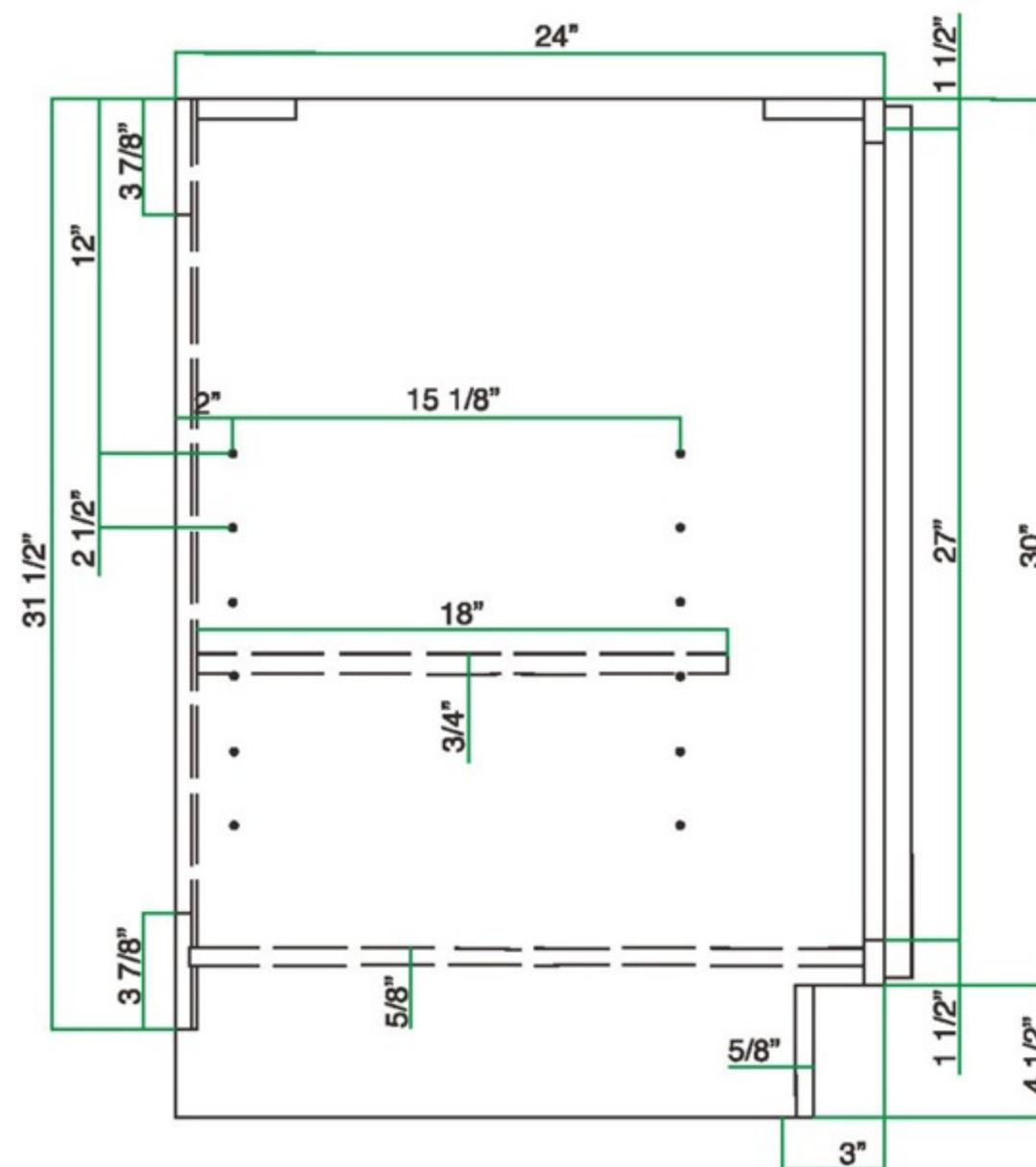
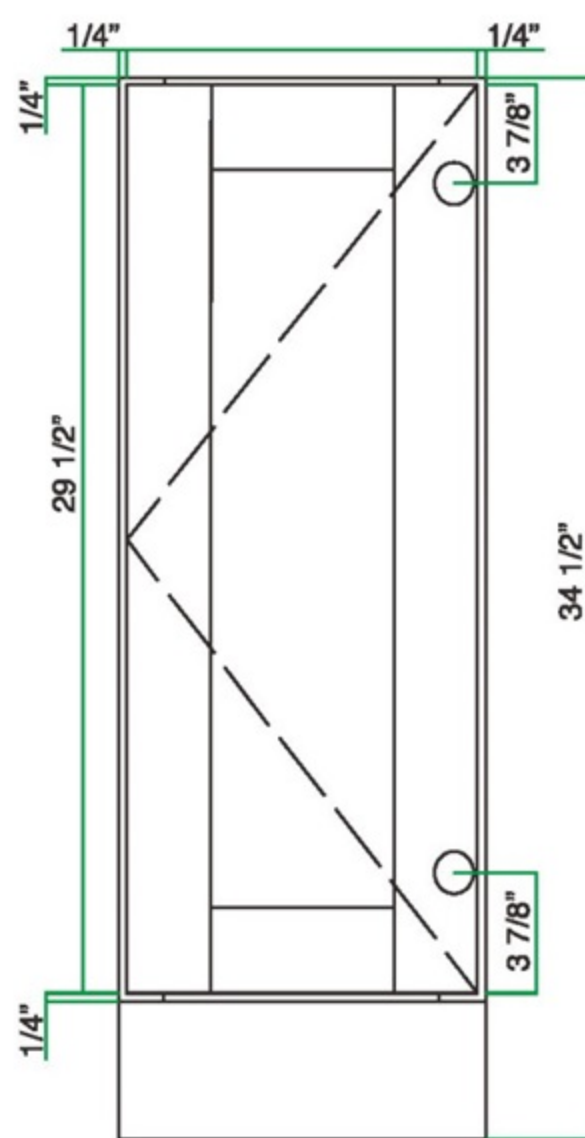
802
CABINETRY

UPPER CABINETS
BASE CABINETS

Base Cabinets Full Height Single Door



Cabinet Dimensions



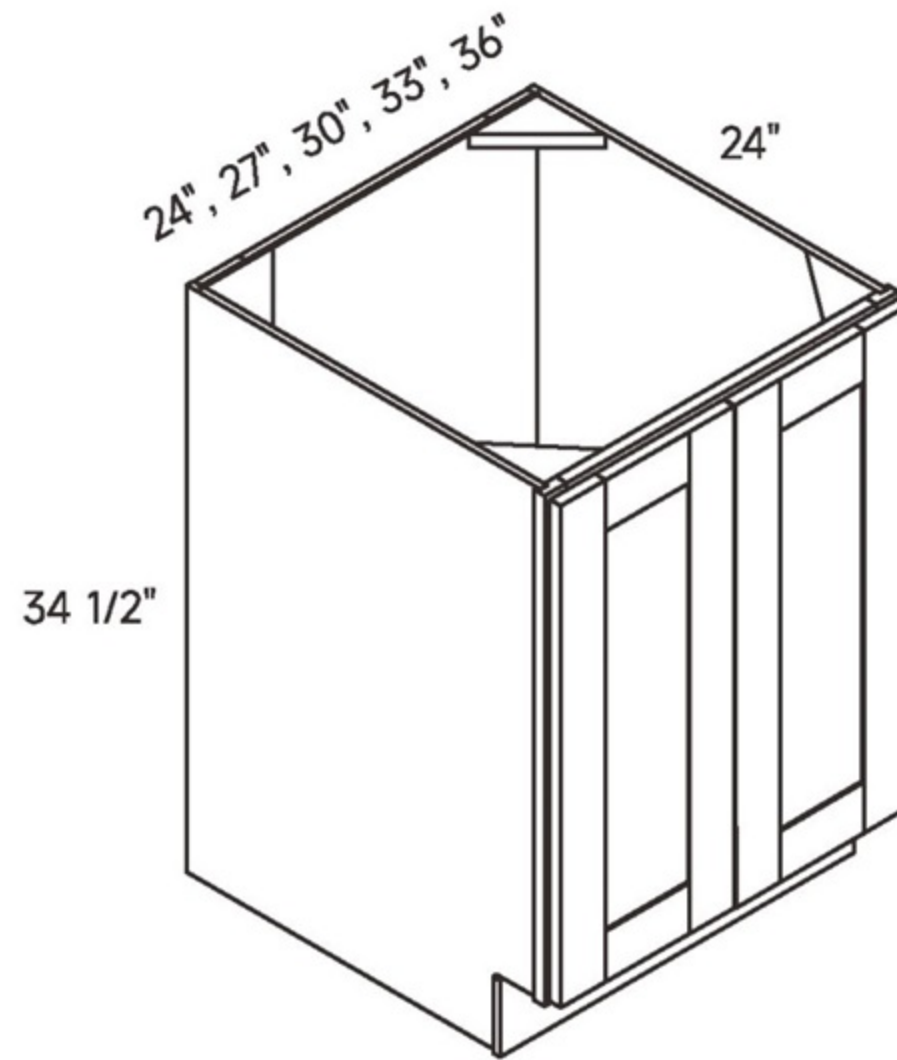
SKU	W	H	D	Door	Shelves	Opening		Door	
						Width	Height	Width	Height
BF0924	9	34 1/2	24	1	1	6	27	8 1/2	29 1/2
BF1224	12	34 1/2	24	1	1	9	27	11 1/2	29 1/2
BF1524	15	34 1/2	24	1	1	12	27	14 1/2	29 1/2
BF1824	18	34 1/2	24	1	1	15	27	17 1/2	29 1/2
BF2124	21	34 1/2	24	1	1	18	27	20 1/2	29 1/2

Roll-out is available, see page B-130.

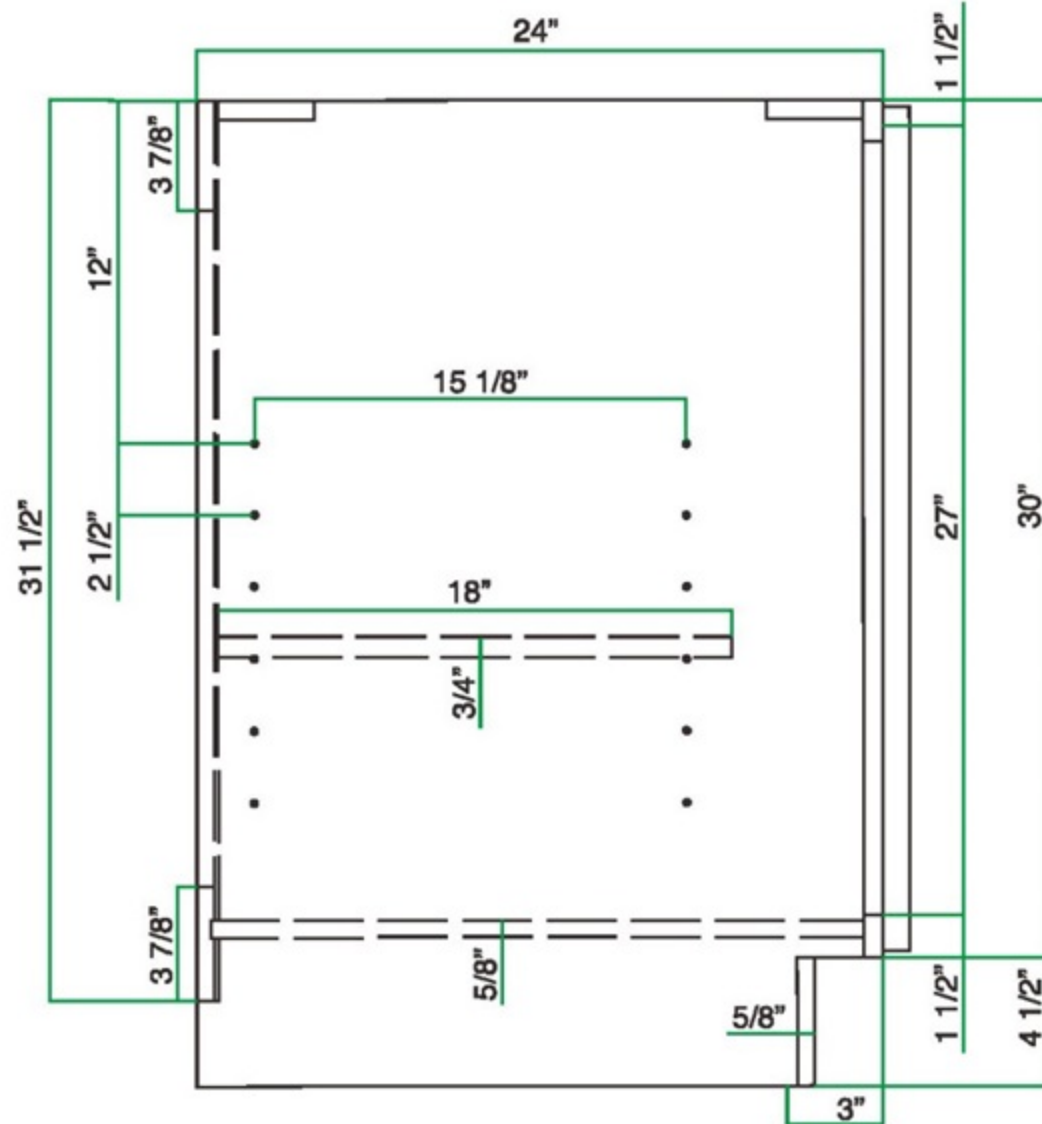
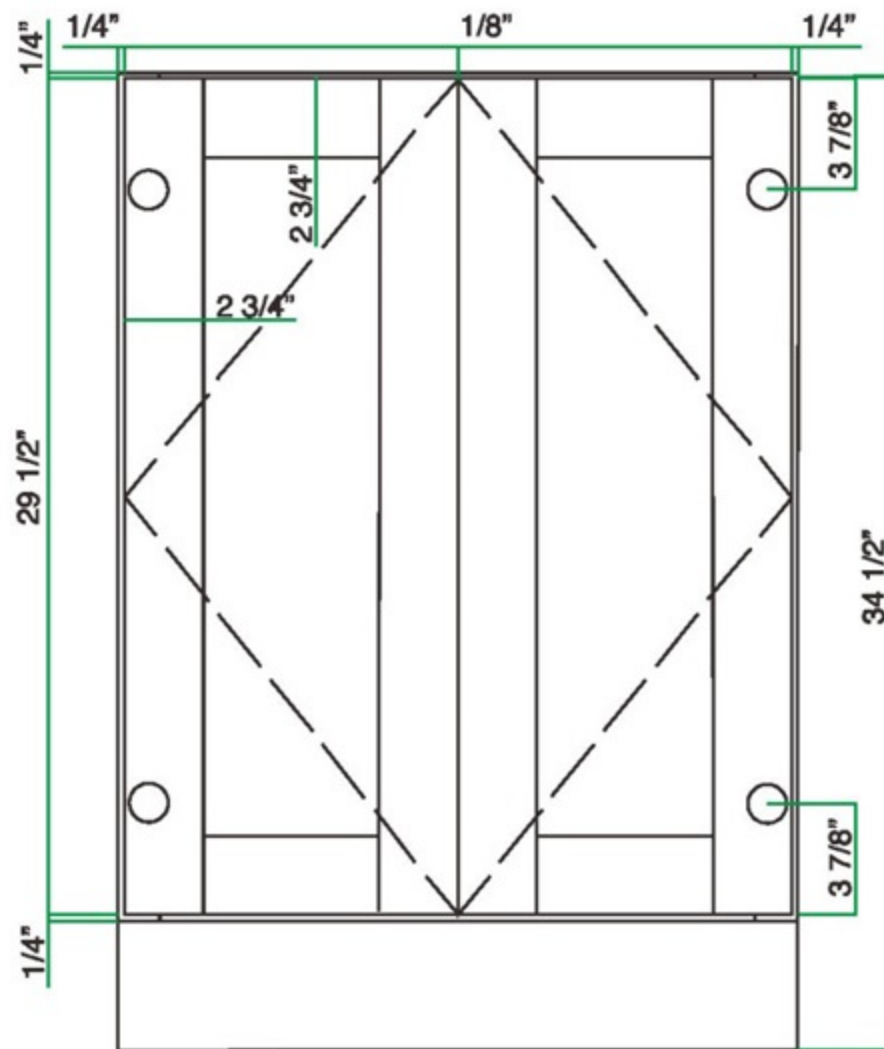


BASE CABINET

Base Cabinets Full Height Double Door



Cabinet Dimensions



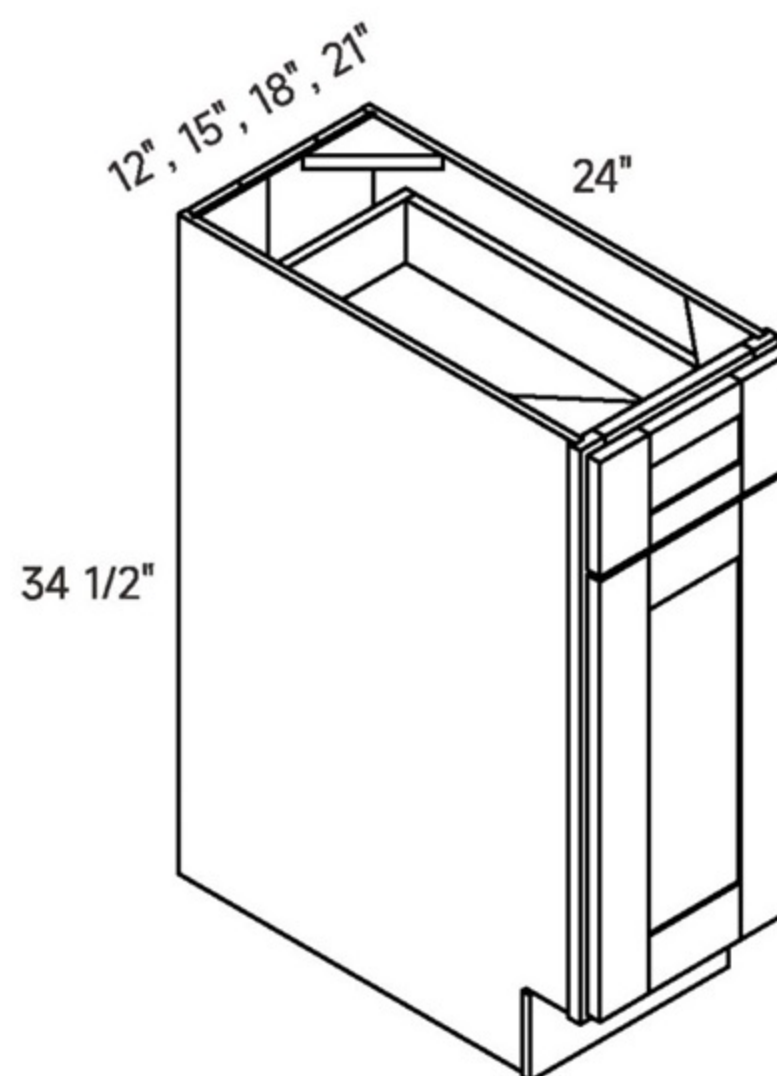
BASE CABINET

SKU	W	H	D	Door	Shelves	Opening		Door	
						Width	Height	Width	Height
BF2424	24	34 1/2	24	2	1	21	27	11 3/4	29 1/2
BF2724	27	34 1/2	24	2	1	24	27	13 1/4	29 1/2
BF3024	30	34 1/2	24	2	1	27	27	14 3/4	29 1/2
BF3324	33	34 1/2	24	2	1	30	27	16 1/4	29 1/2
BF3624	36	34 1/2	24	2	1	33	27	17 3/4	29 1/2

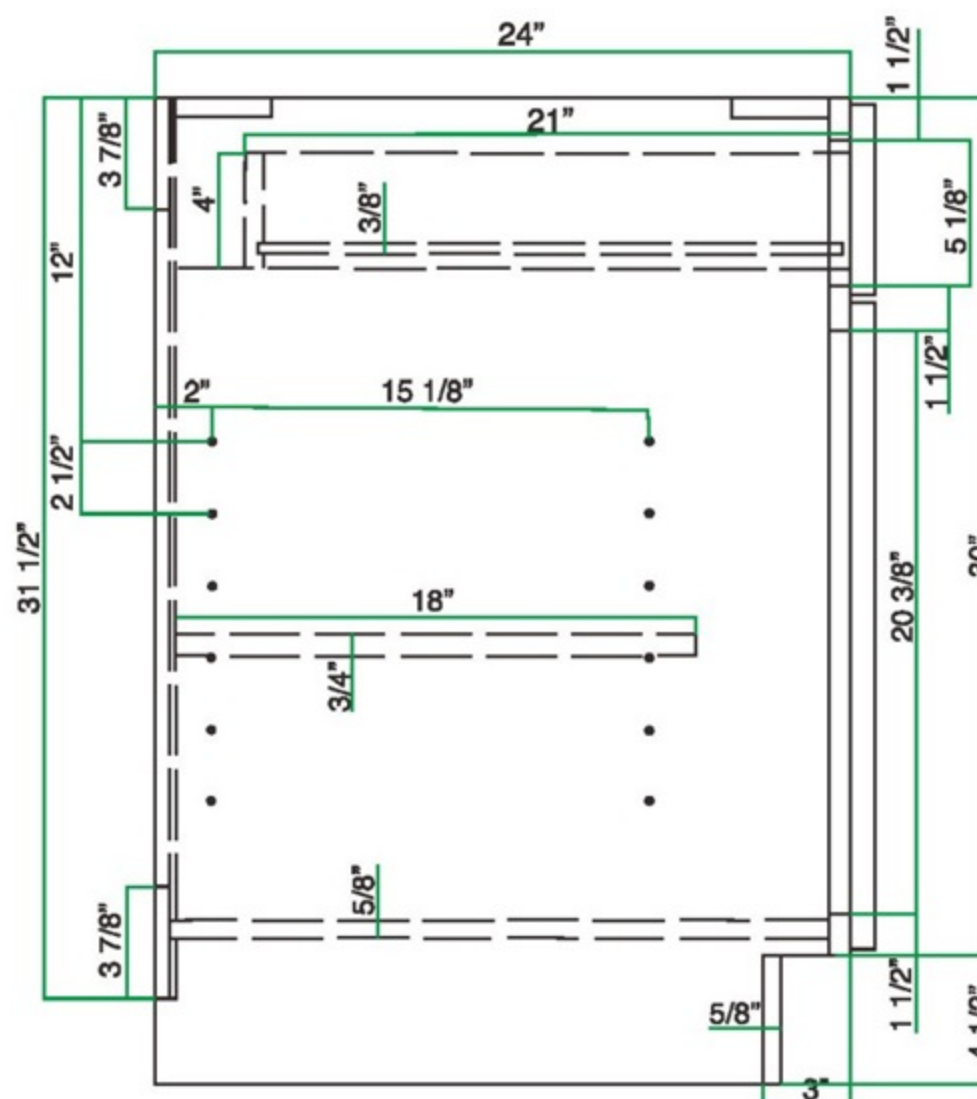
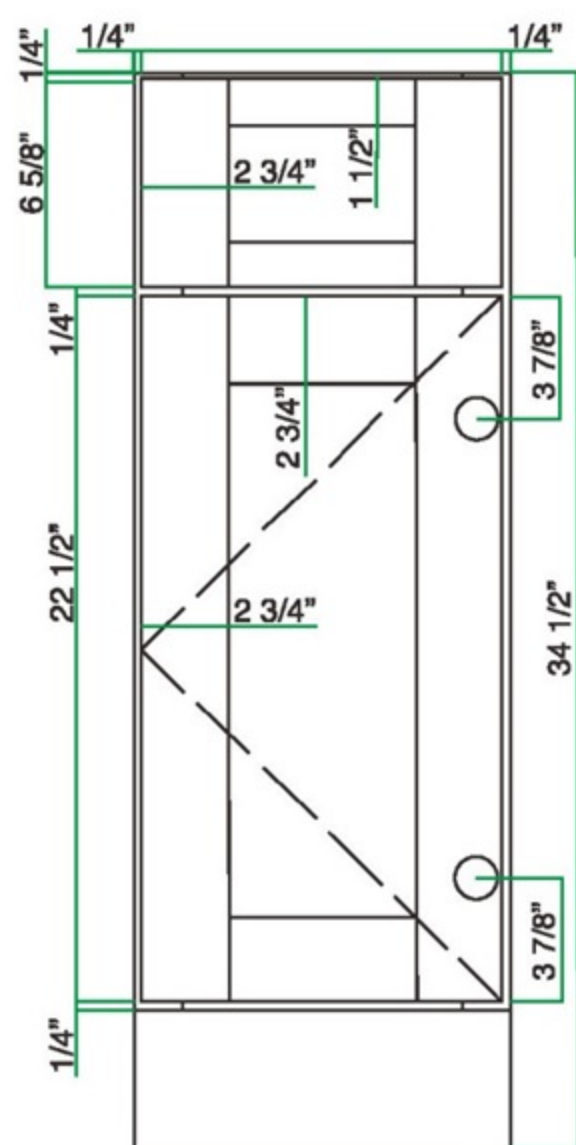
Roll-out is available, see page B-130.



Base Cabinets Single Door & Drawer



Cabinet Dimensions



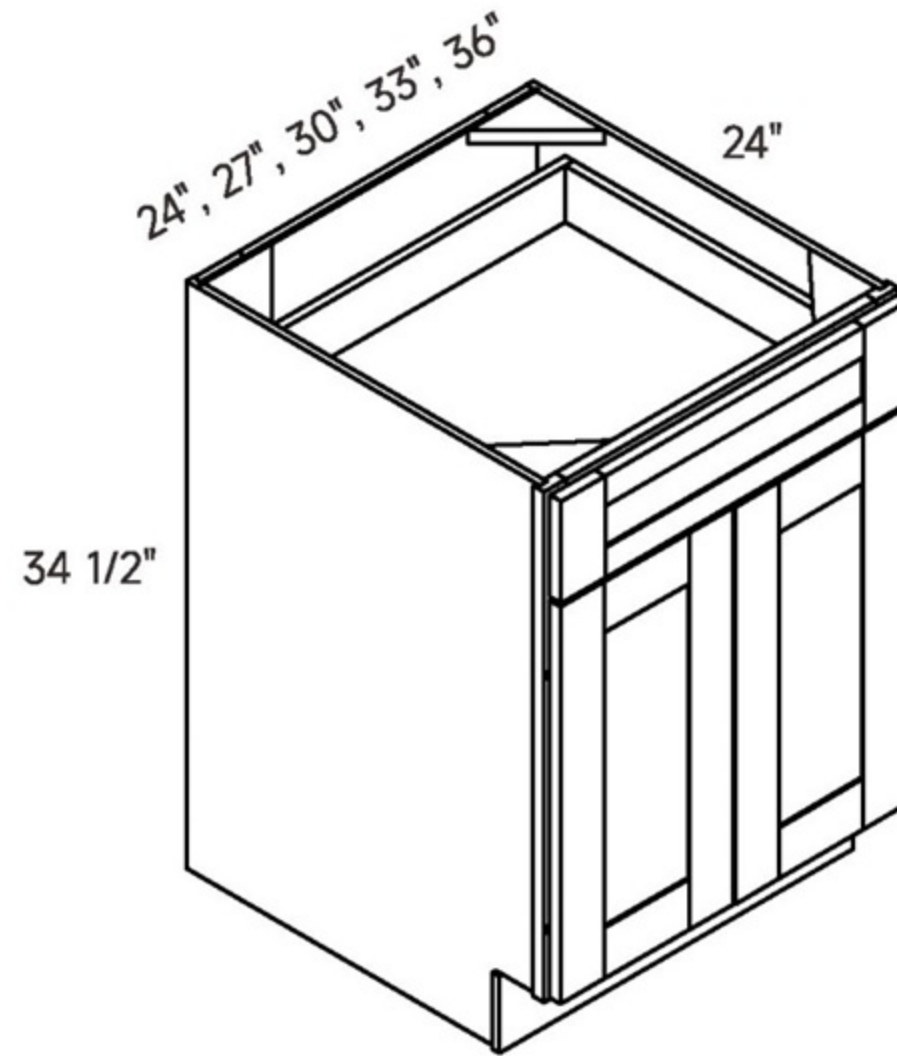
BASE CABINET

SKU	W	H	D	Opening		Door		Drawer opening		Drawer front Size			
				Door	Drawer	Width	Height	Width	Height	Width	Height		
B12	12	34 1/2	24	1	1	9	20 3/8	11 1/2	22 1/2	9	5 1/8	11 1/2	6 5/8
B15	15	34 1/2	24	1	1	12	20 3/8	14 1/2	22 1/2	12	5 1/8	14 1/2	6 5/8
B18	18	34 1/2	24	1	1	15	20 3/8	17 1/2	22 1/2	15	5 1/8	17 1/2	6 5/8
B21	21	34 1/2	24	1	1	18	20 3/8	20 1/2	22 1/2	18	5 1/8	20 1/2	6 5/8

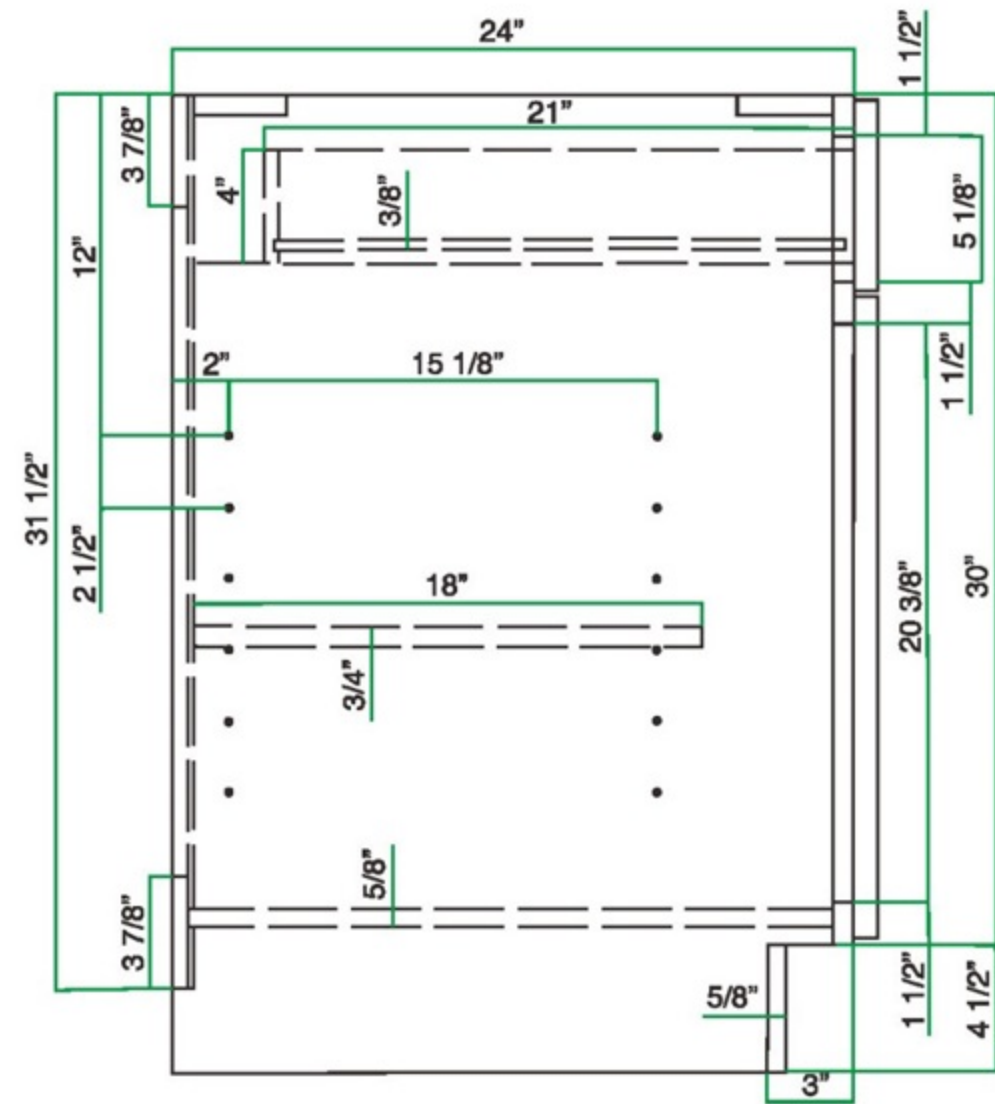
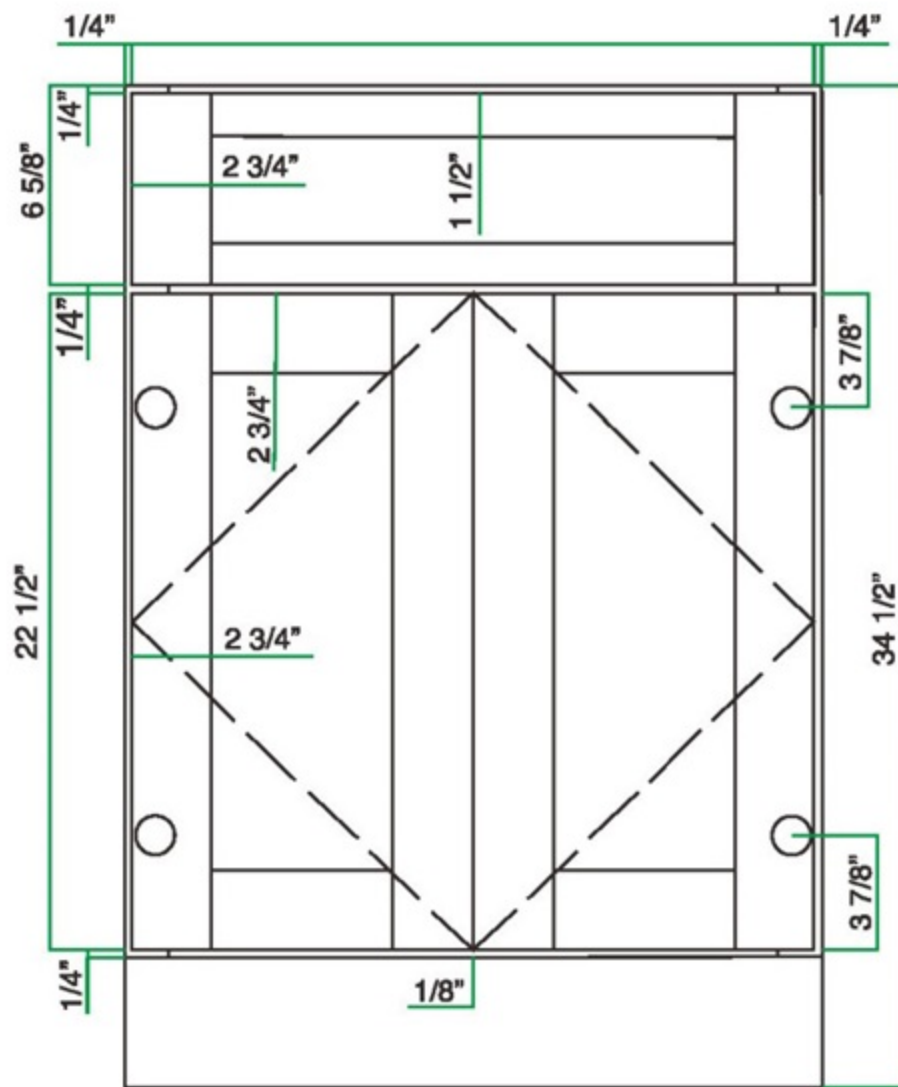
Roll-out is available, see page B-130.



Base Cabinets Double Door & Drawer



Cabinet Dimensions

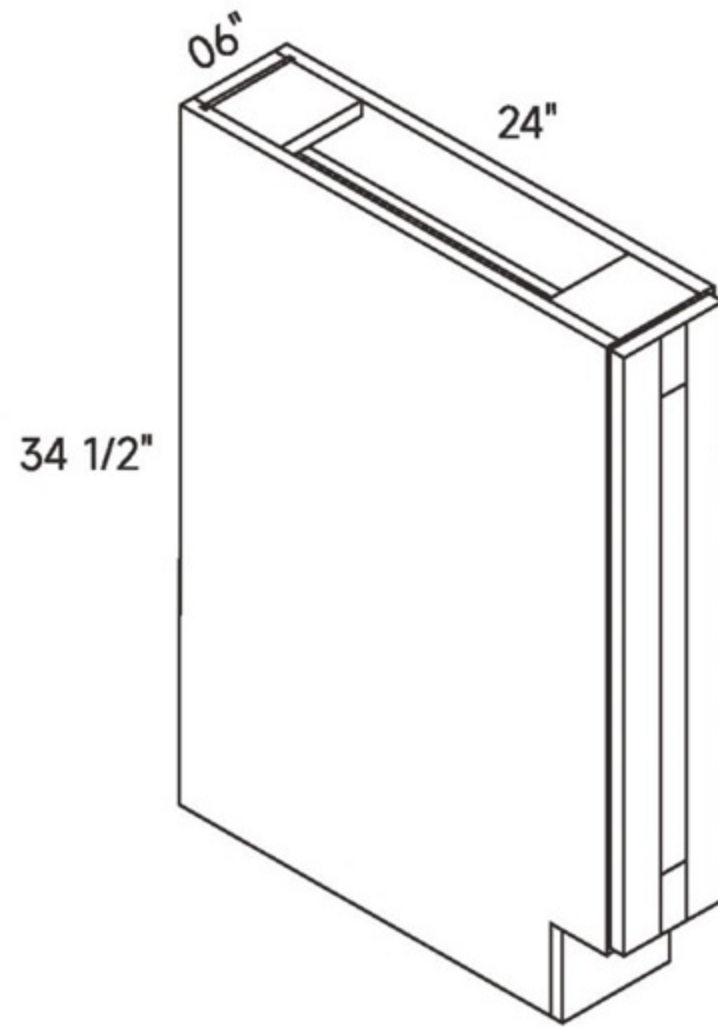


BASE CABINET

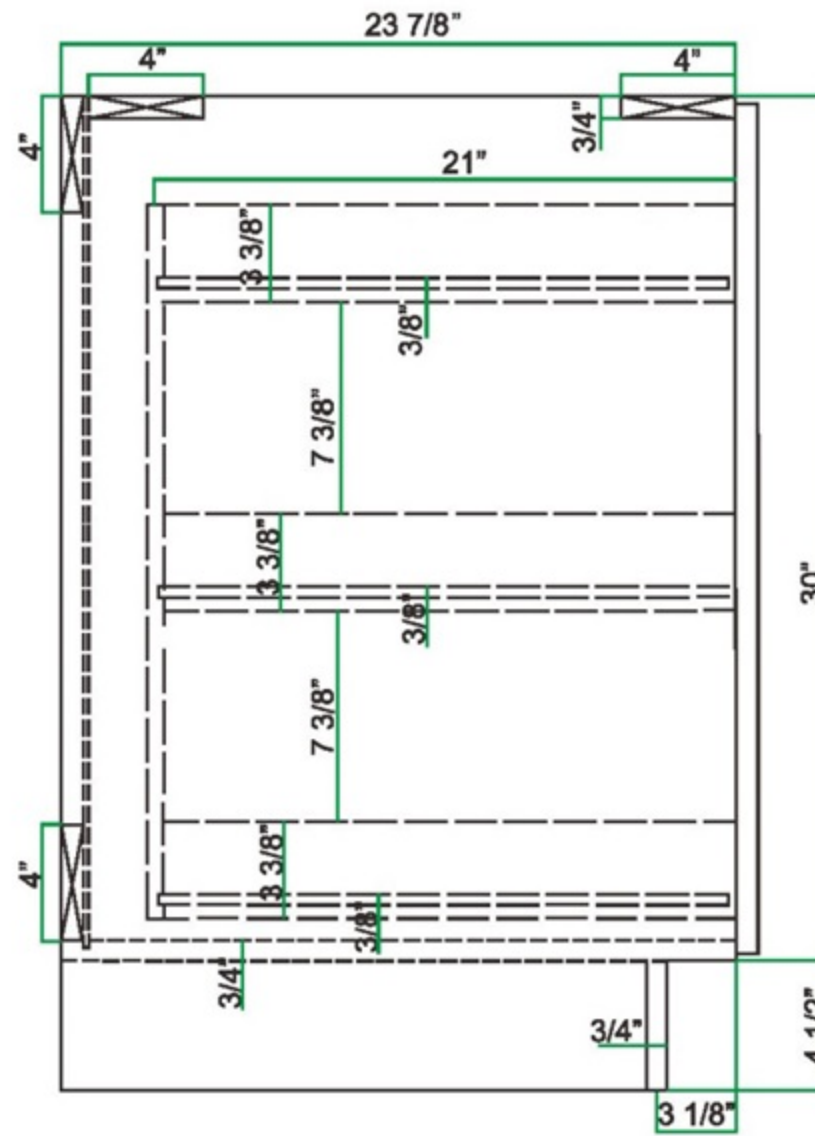
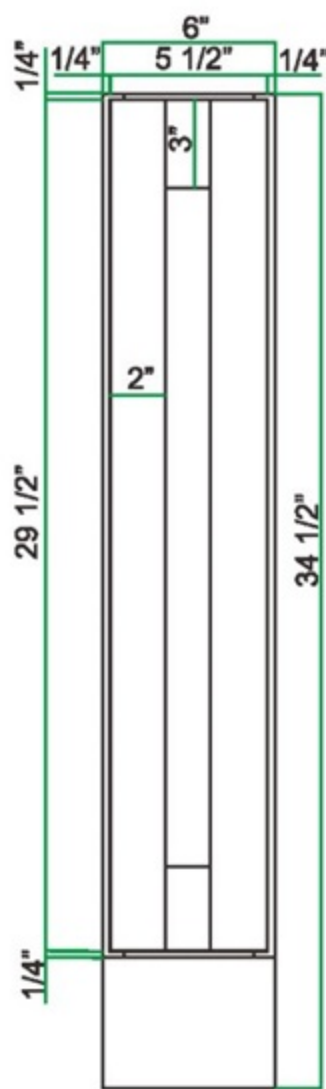
SKU	Opening			Door		Drawer opening		Drawer front Size					
	W	H	D	Door	Shelves	Width	Height	Width	Height	Width	Height	Width	Height
B24	24	34 1/2	24	2	1	21	20 3/8	11 3/4	22 1/2	21	5 1/8	23 1/2	6 5/8
B27	27	34 1/2	24	2	1	24	20 3/8	11 3/4	22 1/2	24	5 1/8	26 1/2	6 5/8
B30	30	34 1/2	24	2	1	27	20 3/8	11 3/4	22 1/2	27	5 1/8	29 1/2	6 5/8
B33	33	34 1/2	24	2	1	30	20 3/8	11 3/4	22 1/2	30	5 1/8	32 1/2	6 5/8
B36	36	34 1/2	24	2	1	33	20 3/8	11 3/4	22 1/2	33	5 1/8	35 1/2	6 5/8

Roll-out is available, see page B-130.

Base Cabinets With
Installed Accessories
Spice Pull Out



Cabinet Dimensions

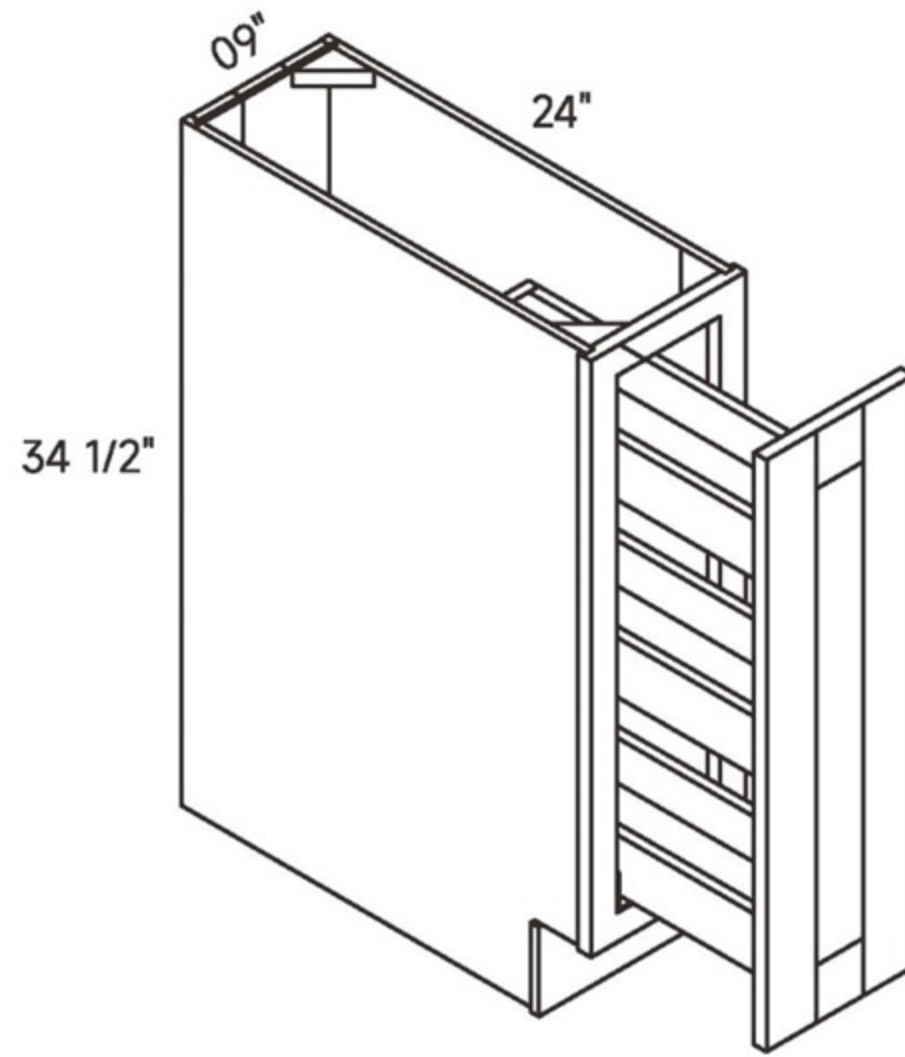


BASE CABINET

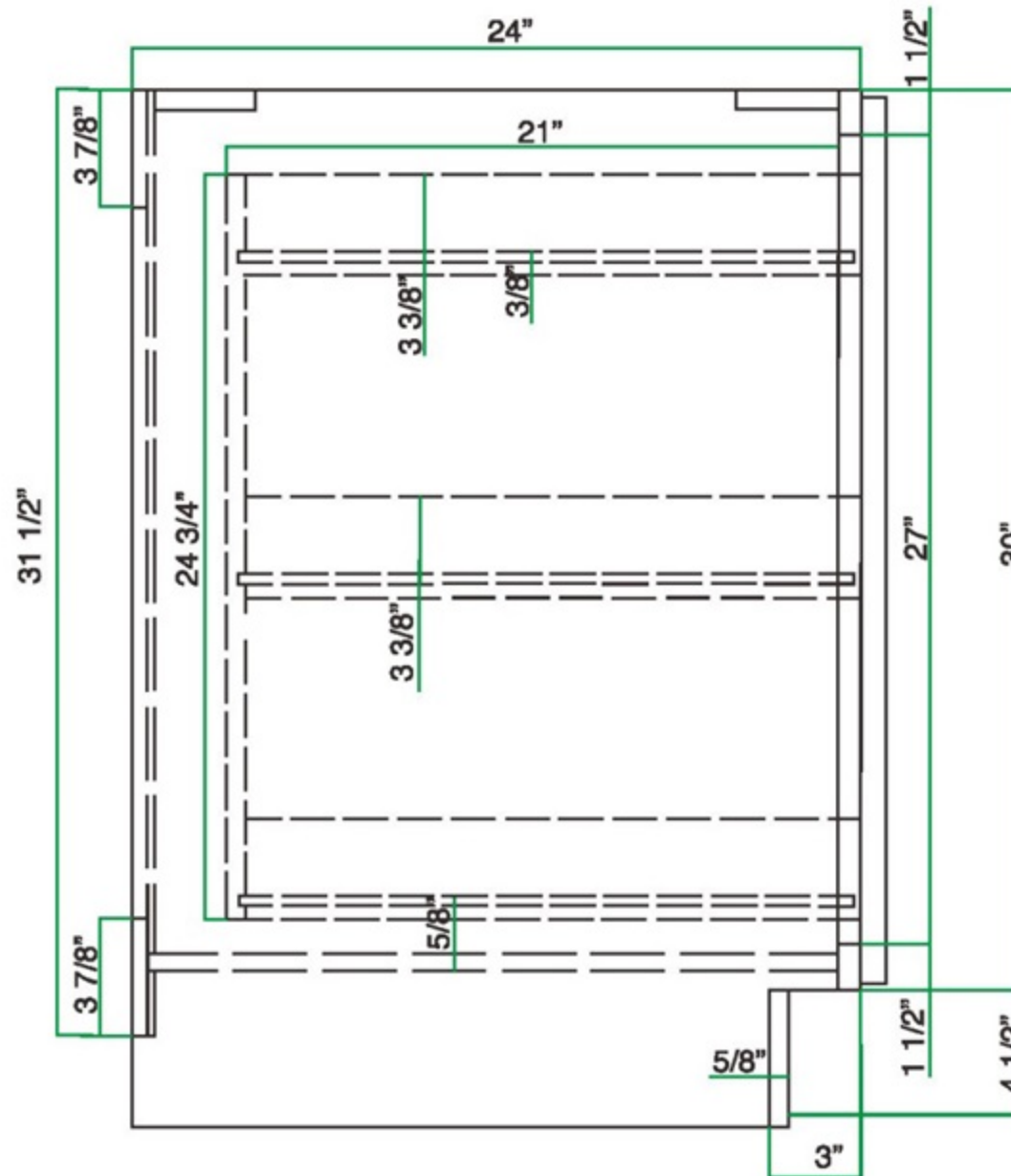
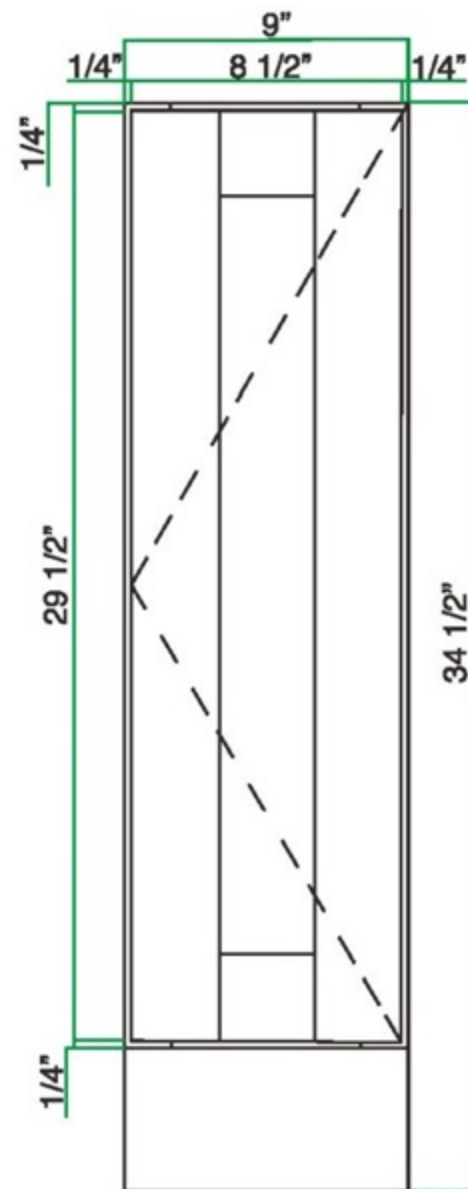
SKU	W	H	D	Door	Opening		Door	
					Width	Height	Width	Height
BF06-PO	6	34 1/2	24	1	4 1/2	28 1/2	5 1/2	29 1/2



Base Cabinets With
Installed Accessories
Spice Pull Out



Cabinet Dimensions

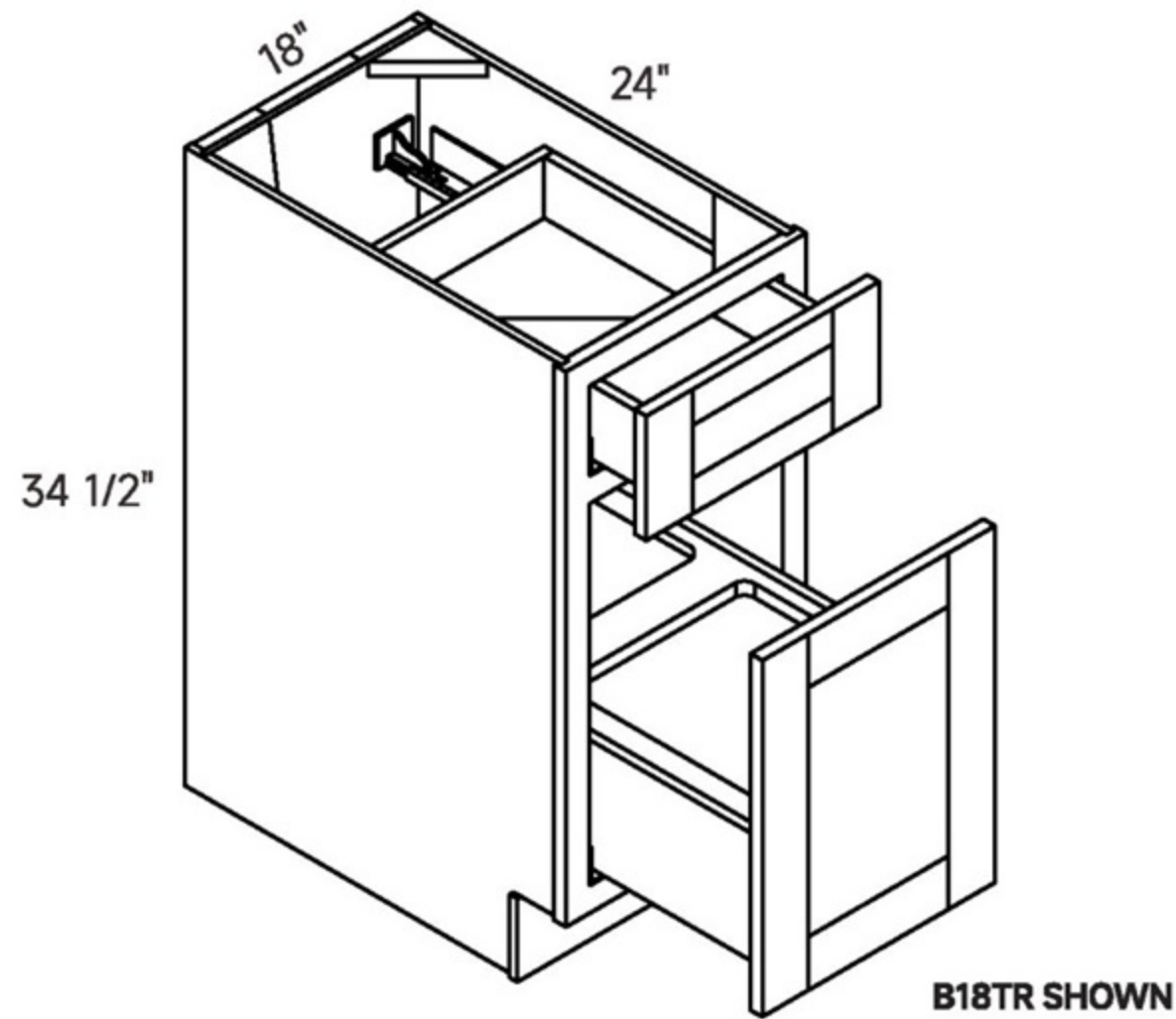


SKU	W	H	D	Door	Opening		Door	
					Width	Height	Width	Height
BF09-PO	9	34 1/2	24	1	6	27	8 1/2	29 1/2

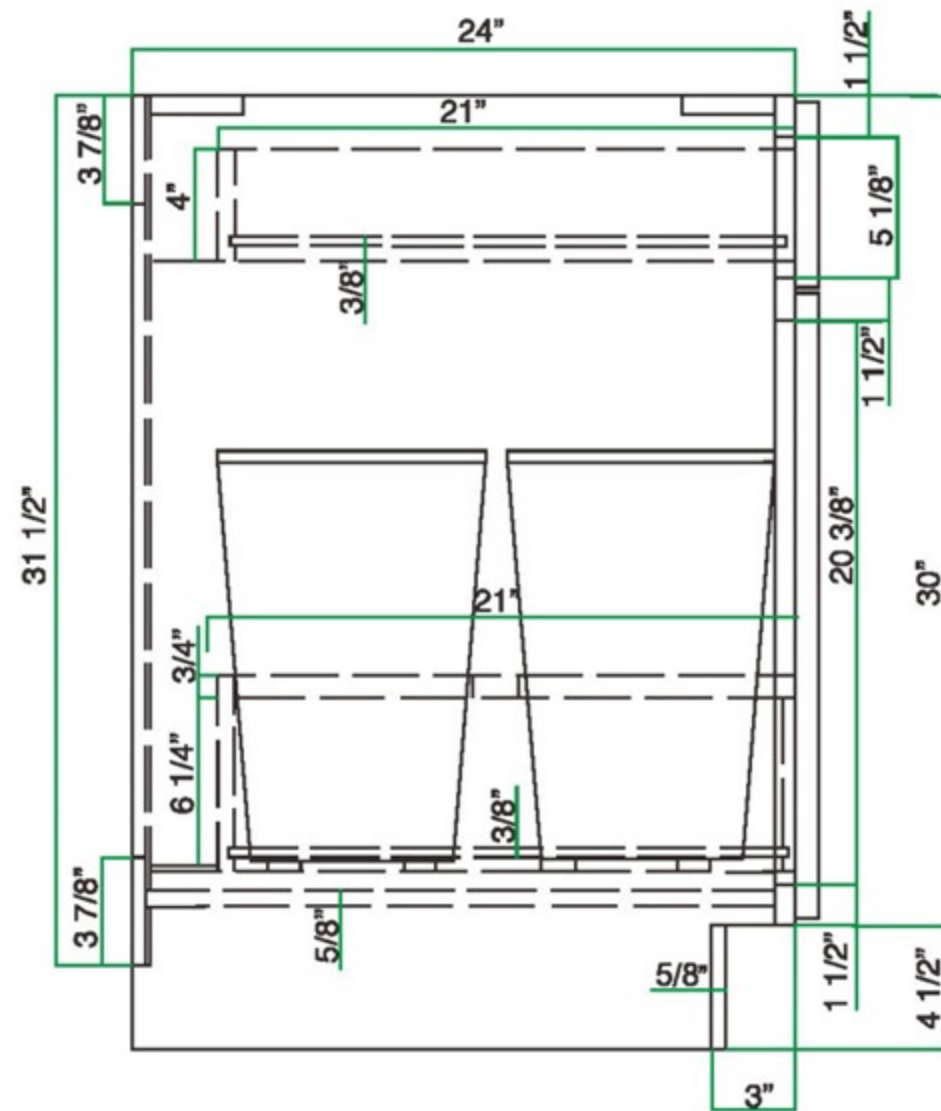
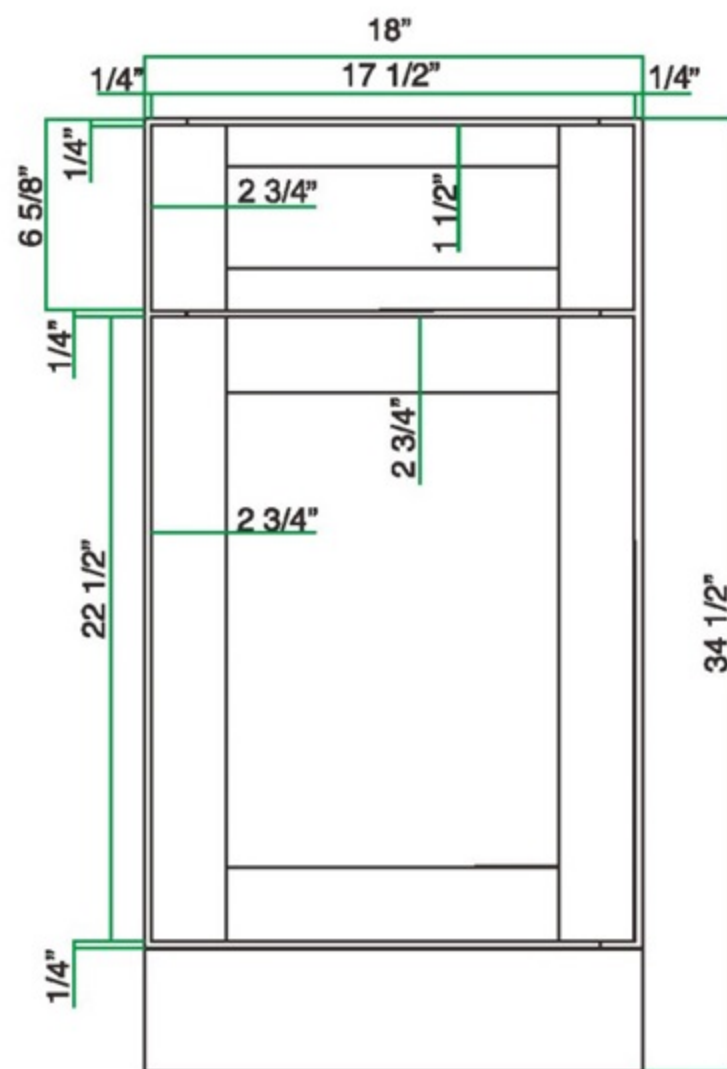
BASE CABINET

Base Cabinets With
Installed Accessories

Trash Can Pull Out



Cabinet Dimensions



BASE CABINET

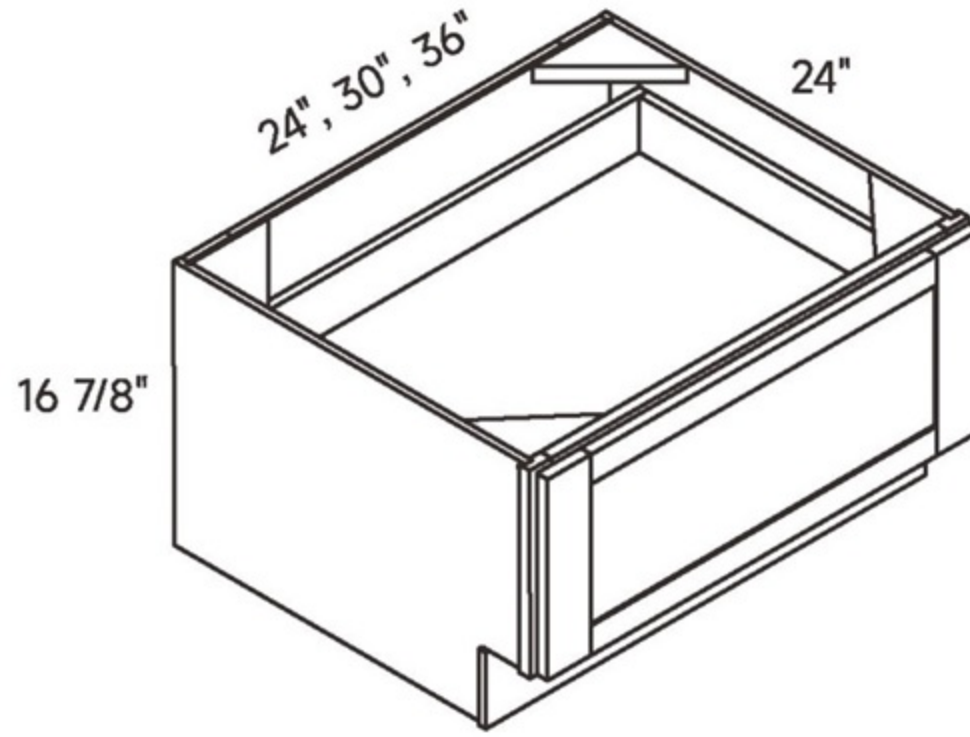
SKU	W	H	D	# of Drawers	# of Bins	Drawer opening			Drawer front size		
						Width	Height 1	Height 2	Width	Height 1	Height 2
B15TR*	15	34 1/2	24	1	1	12	5 1/8	20 3/8	14 1/2	6 5/8	22 1/2
B18TR	18	34 1/2	24	1	2	15	5 1/8	20 3/8	17 1/2	6 5/8	22 1/2
B21TR*	21	34 1/2	24	1	2	18	5 1/8	20 3/8	20 1/2	6 5/8	22 1/2

*Will come with hinge hole on the door.

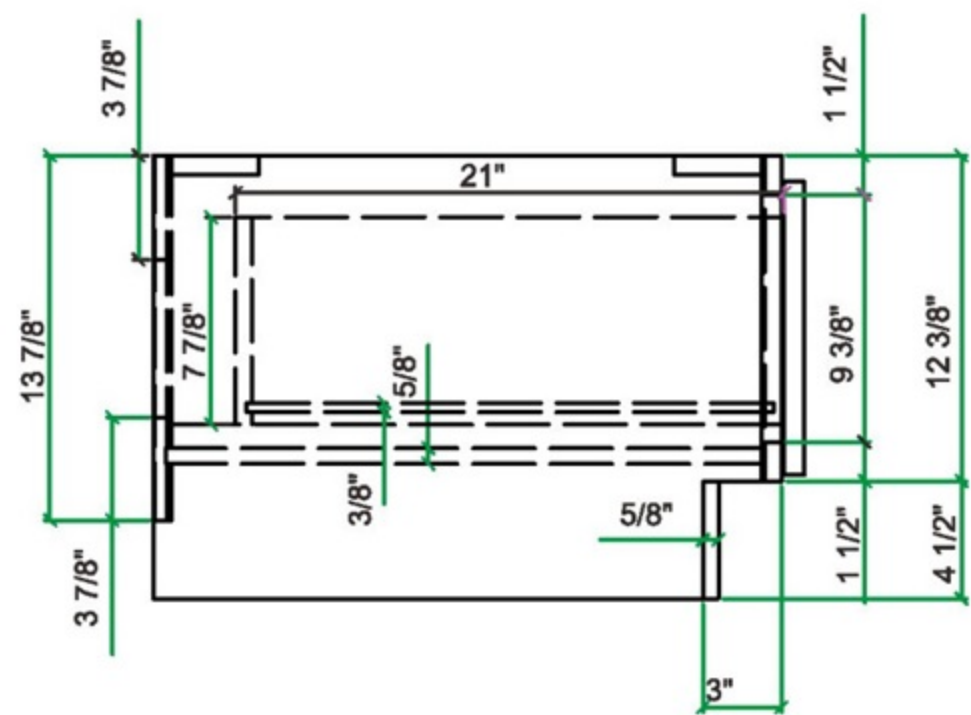
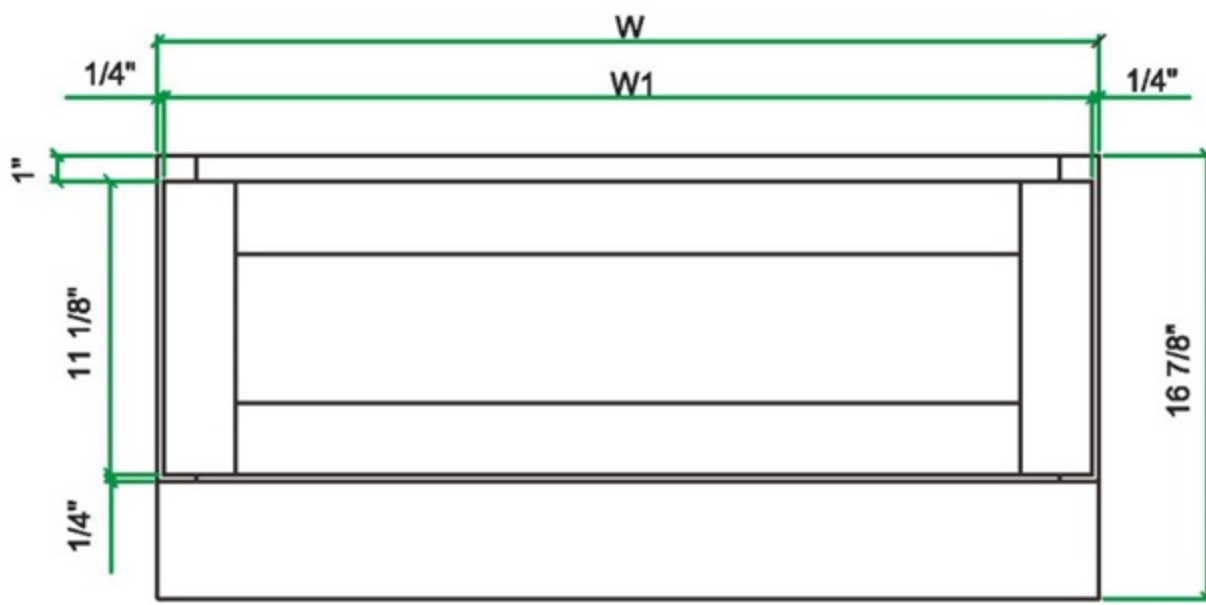
*TR can be purchase separately.



Base Cabinets Bench Seat Drawer



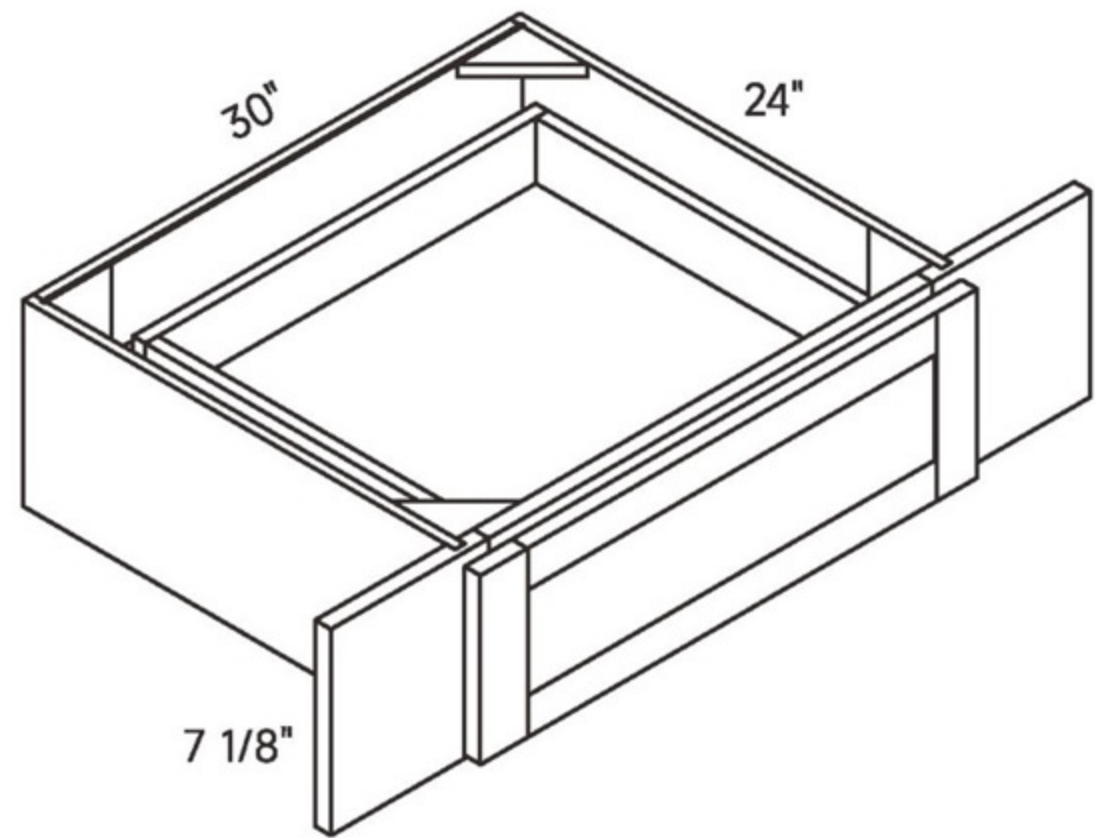
Cabinet Dimensions



BASE CABINET

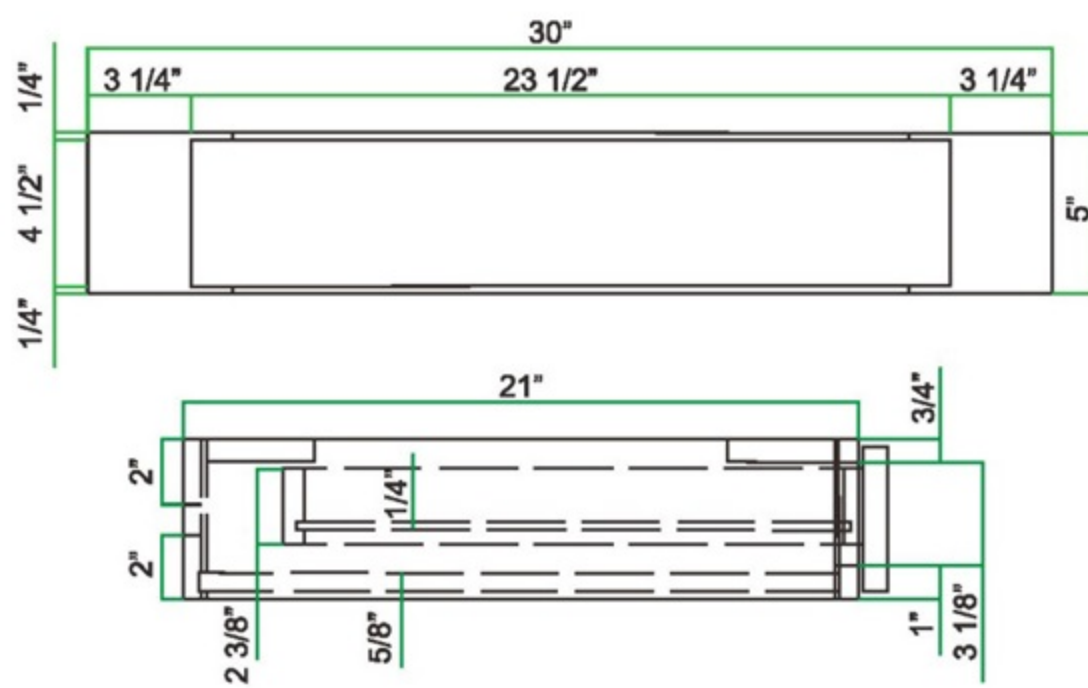
SKU	W	H	D	# of Drawers	Drawer opening		Drawer front size	
					Width	Height 1	Width	Height 1
DBS24	24	16 7/8	24	1	21	12 1/8	23 1/2	14 5/8
DBS30	30	16 7/8	24	1	27	12 1/8	29 1/2	14 5/8
DBS36	36	16 7/8	24	1	33	12 1/8	35 1/2	14 5/8

Base Cabinets 1 Drawers

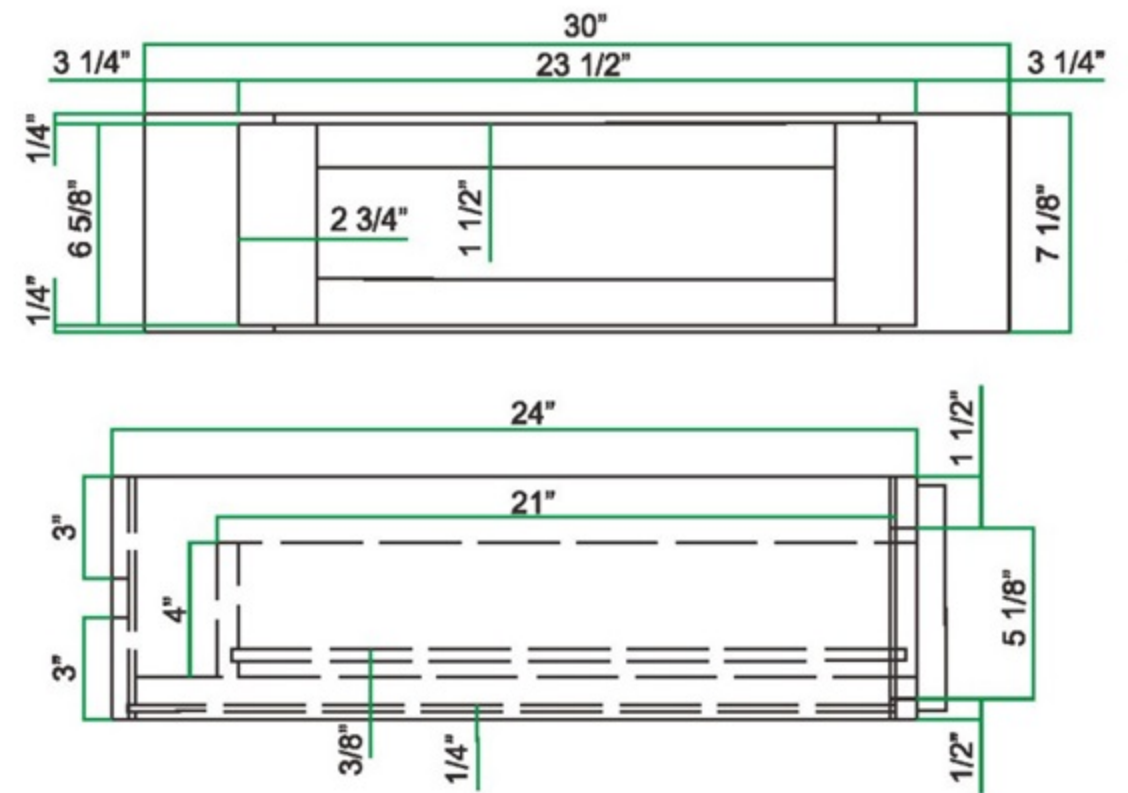


Cabinet Dimensions

KD30



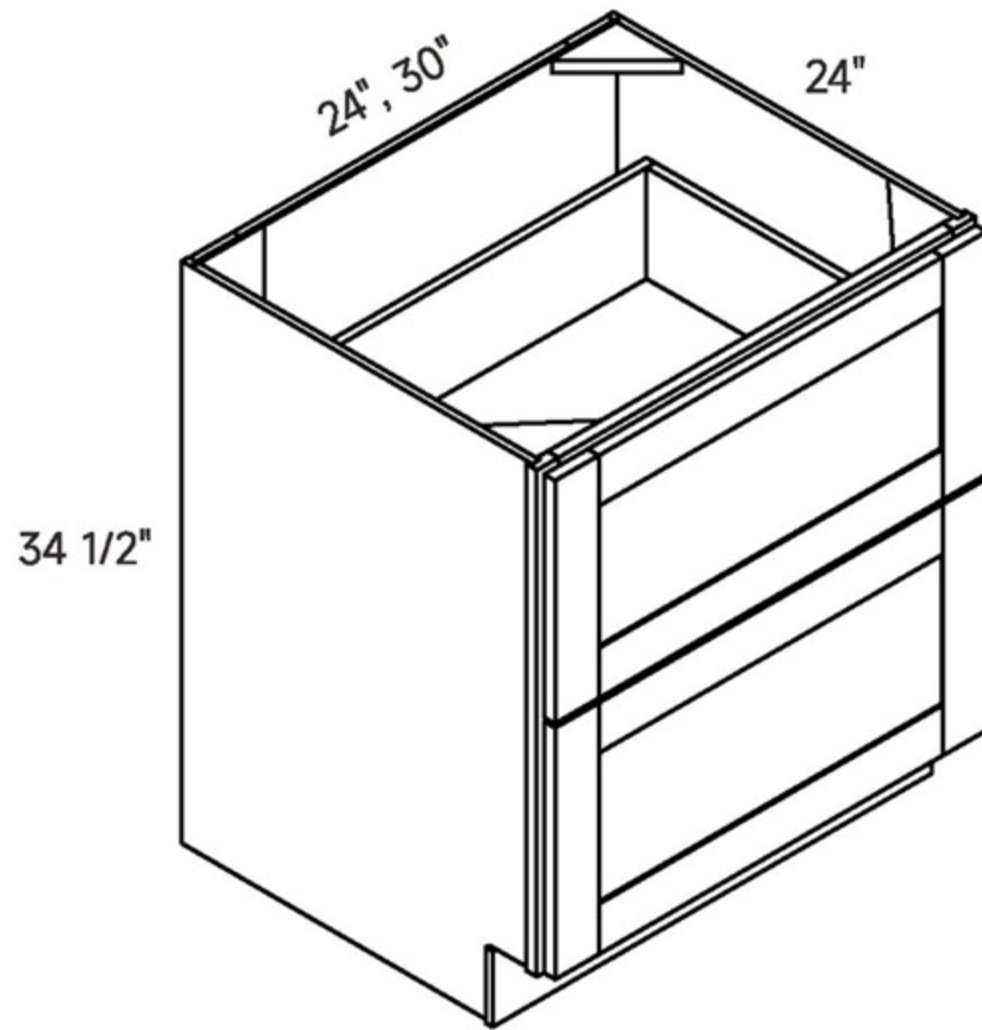
BKD30



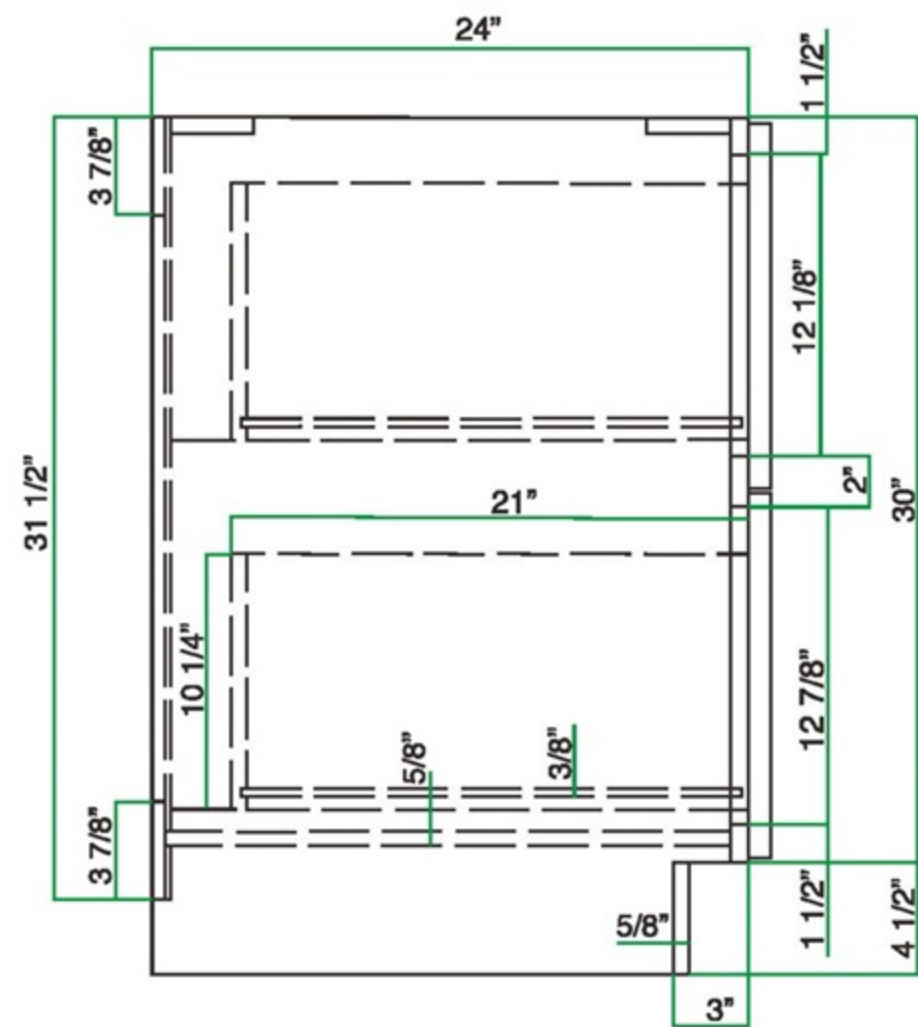
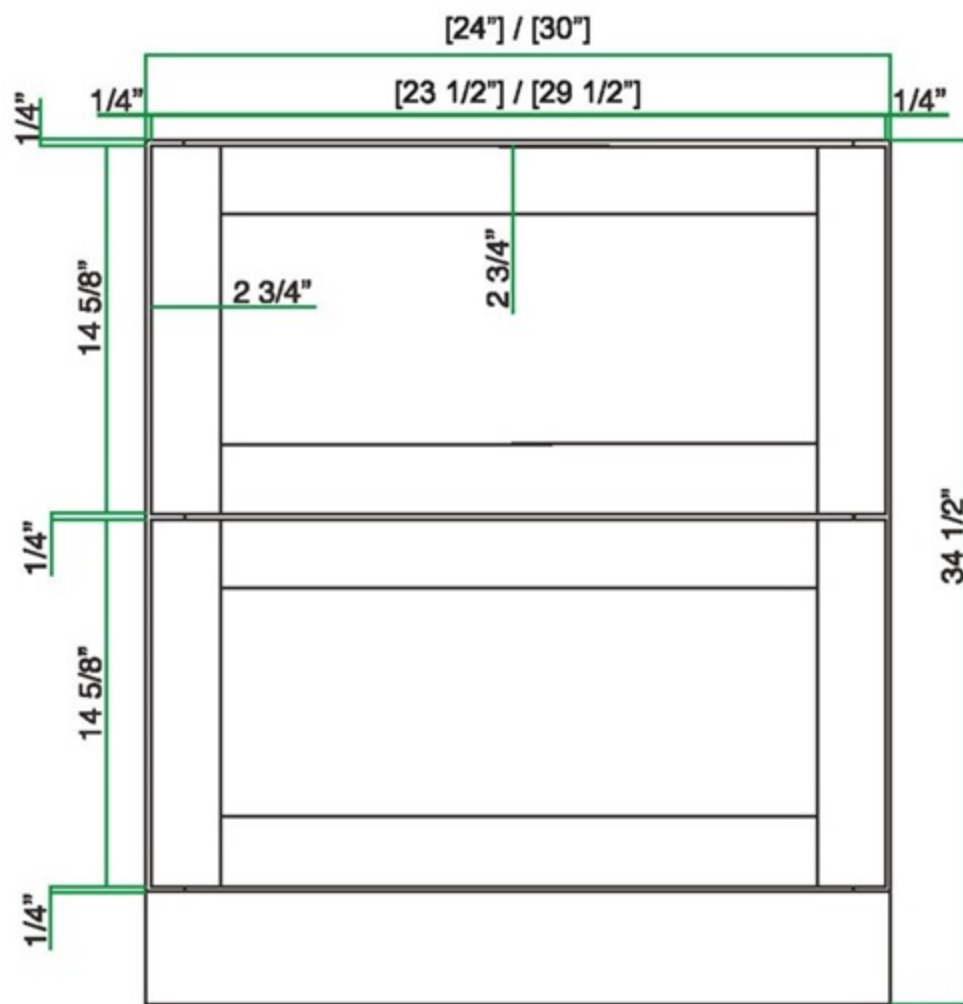
BASE CABINET

SKU	W	H	D	# of Drawers	Drawer opening		Drawer front size	
					Width	Height 1	Width	Height 1
KD30	30	5	21	1	21	3 1/8	23 1/2	4 1/2
BKD30	30	7 1/8	24	1	21	5 1/8	23 1/2	6 5/8

Base Cabinets 2 Drawers



Cabinet Dimensions

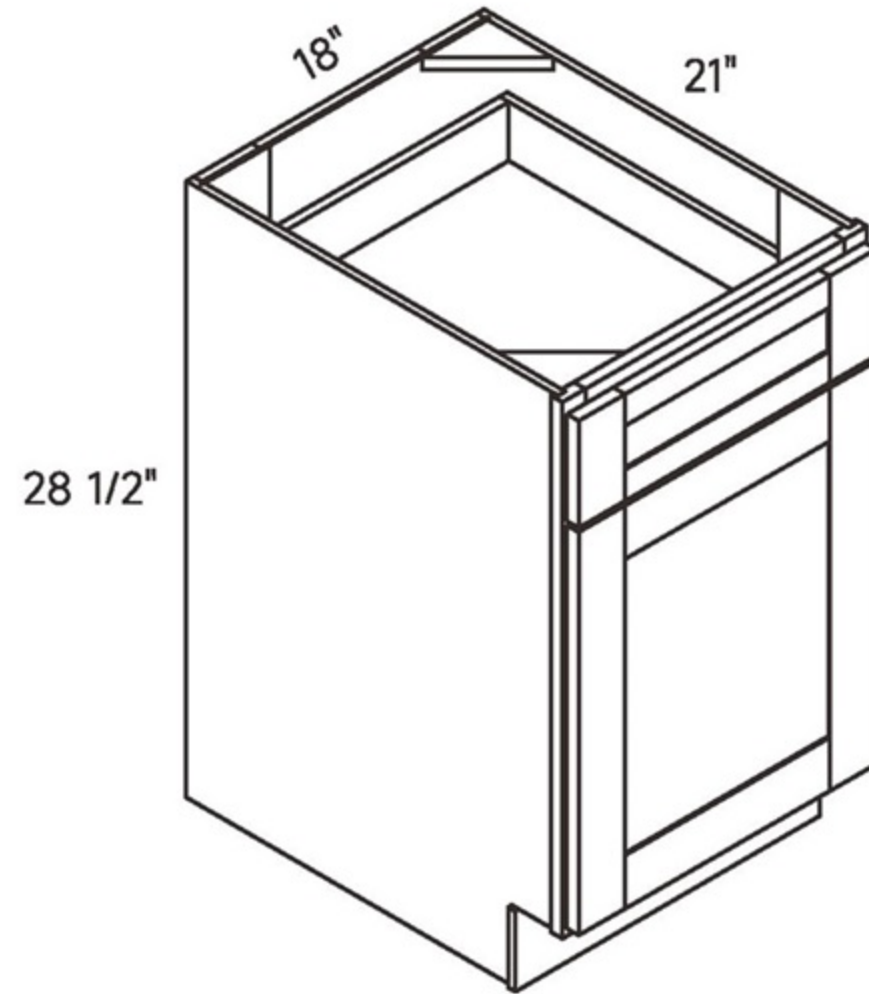


SKU	W	H	D	# of Drawers	Drawer opening			Drawer front size		
					Width	Height 1	Height 2	Width	Height 1	Height 2
DB24-2	24	34 1/2	24	2	21	12 1/8	12 7/8	23 1/2	14 5/8	14 5/8
DB30-2	30	34 1/2	24	2	27	12 1/8	12 7/8	29 1/2	14 5/8	14 5/8

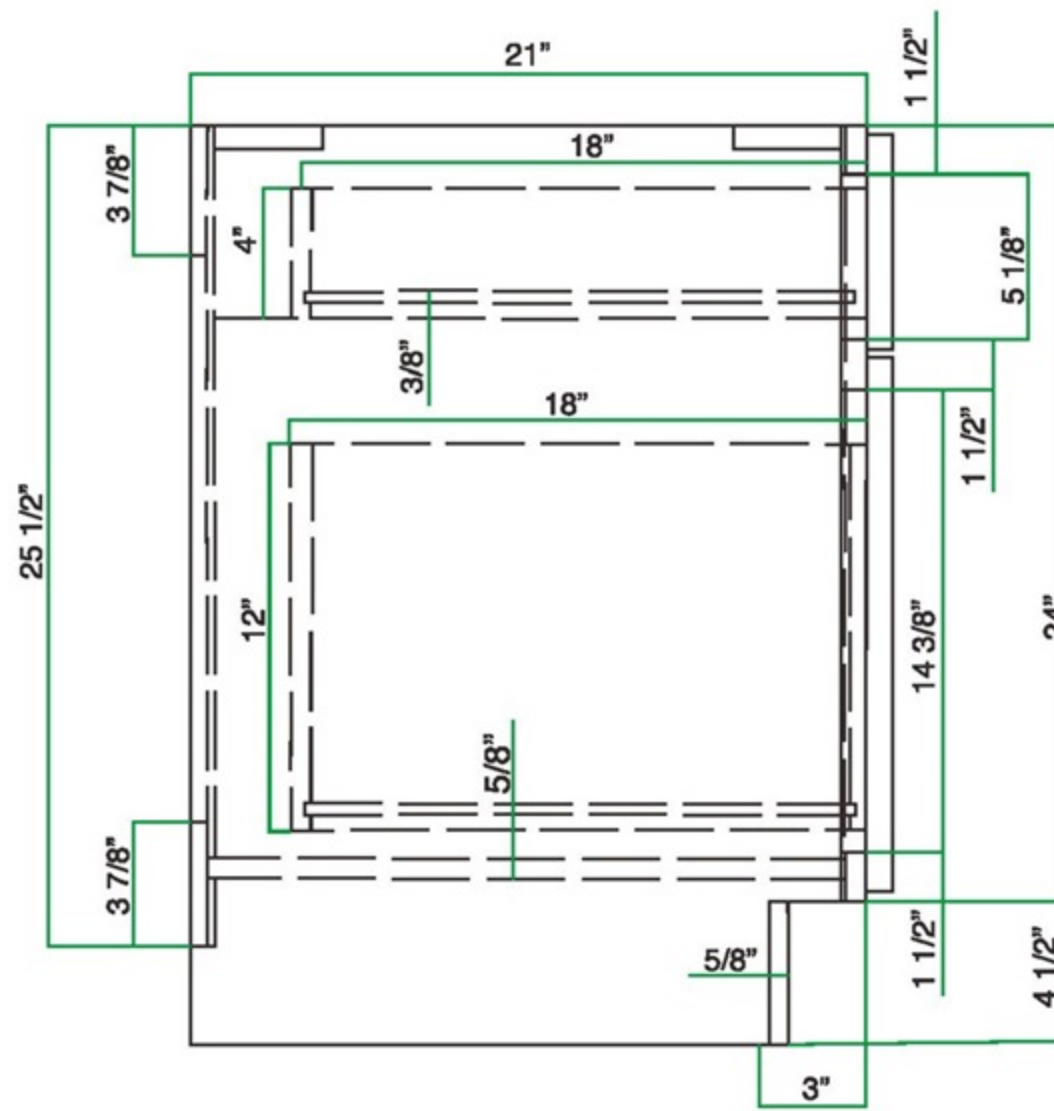
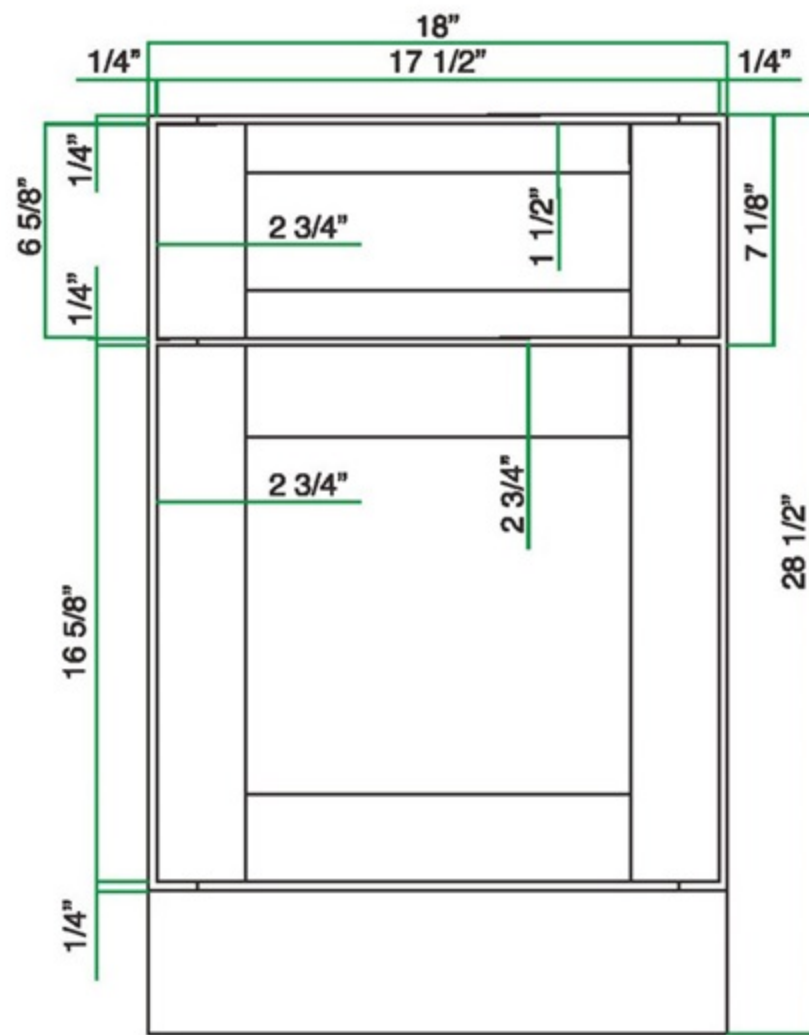
Base Cabinets

2 Drawers

File Cabinet



Cabinet Dimensions

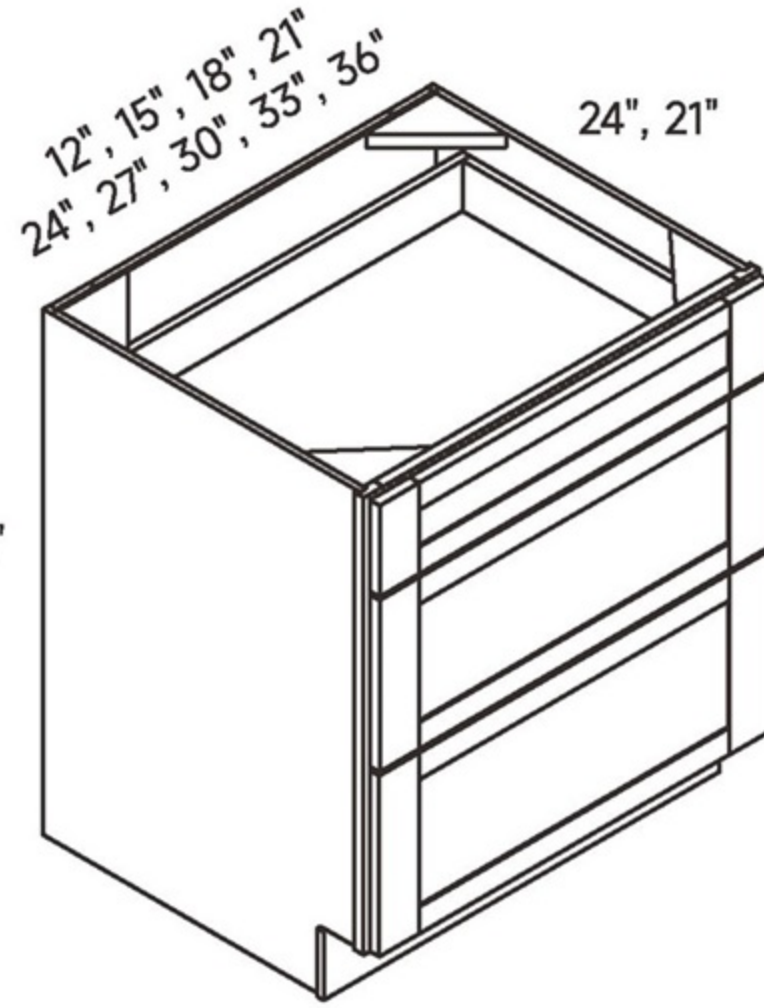


BASE CABINET

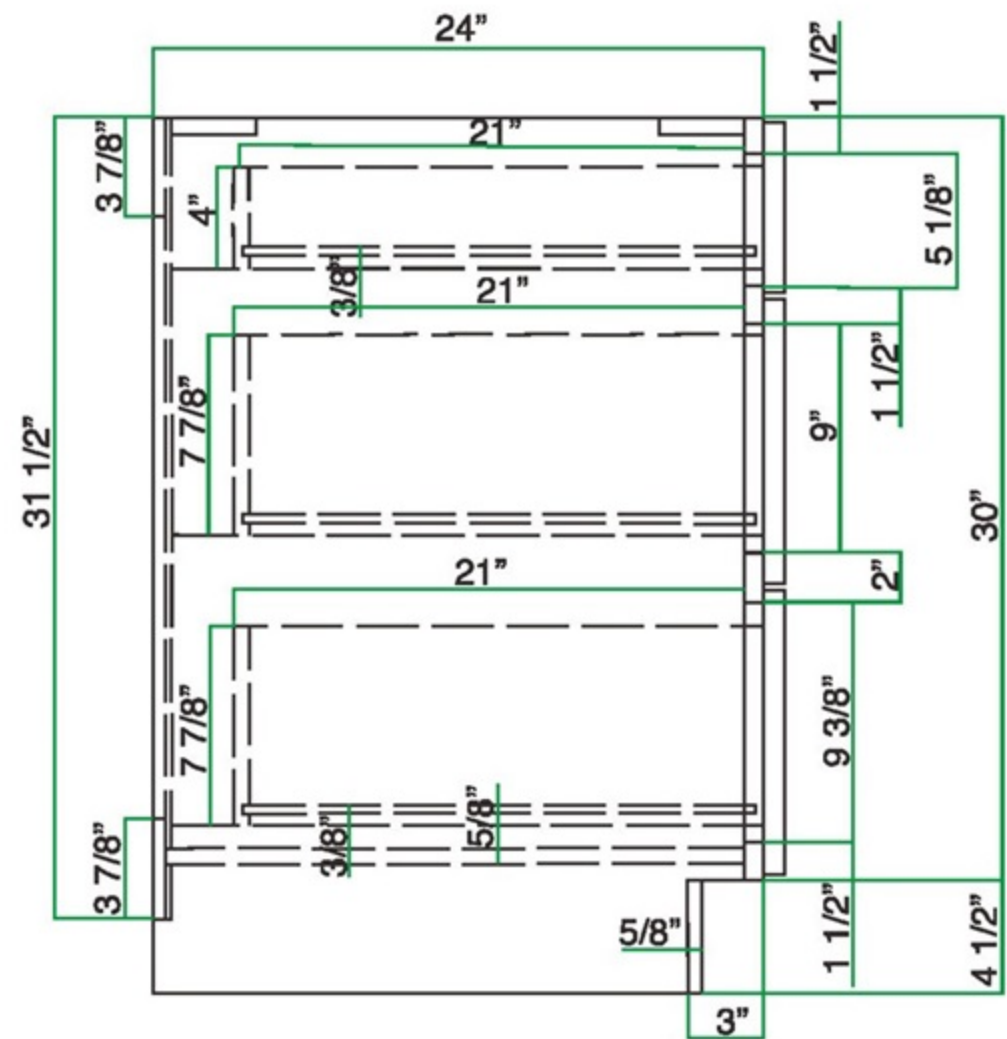
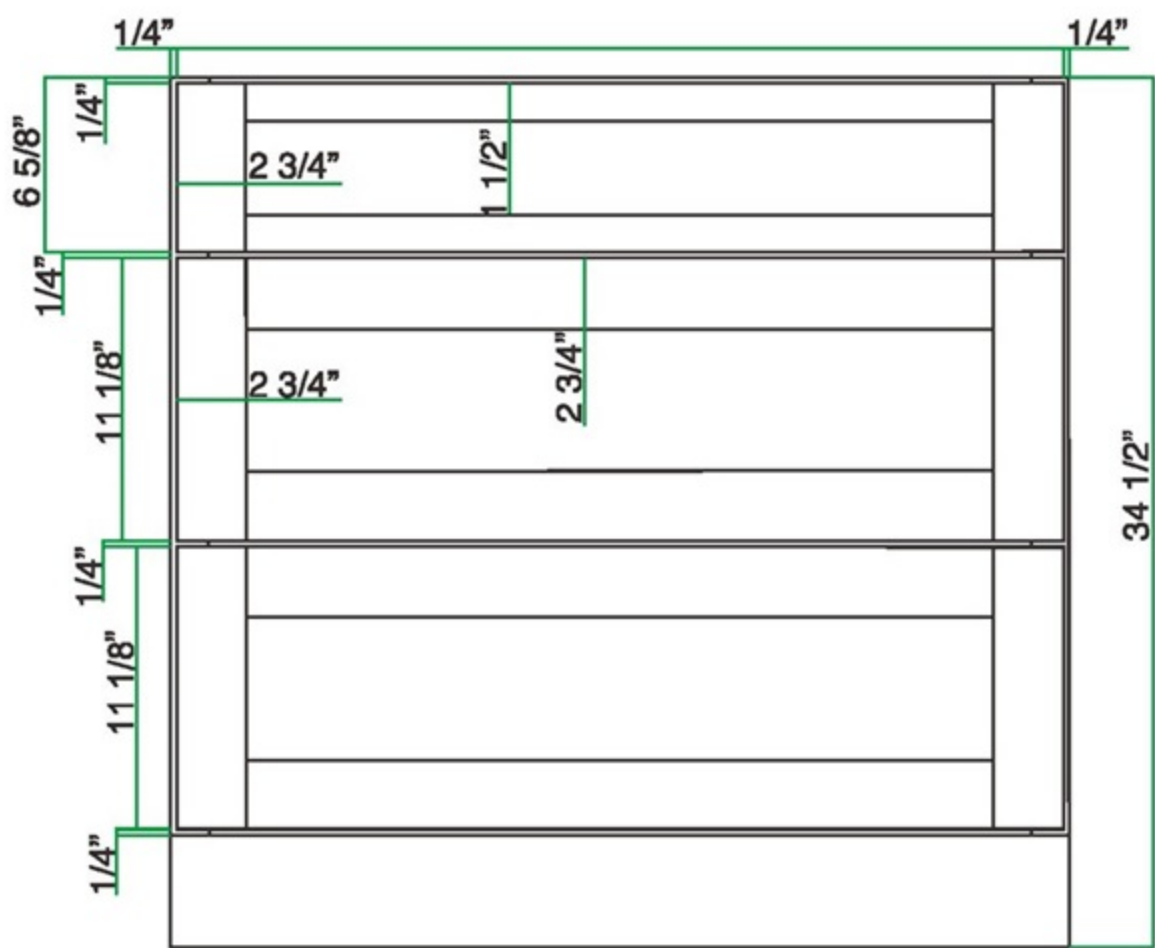
SKU	W	H	D	# of Drawers	Drawer opening			Drawer front size		
					Width	Height 1	Height 2	Width	Height 1	Height 2
FD1821	18	28 1/2	21	2	15	5 1/8	14 3/8	17 1/2	6 5/8	16 5/8



Base Cabinets 3 Drawers



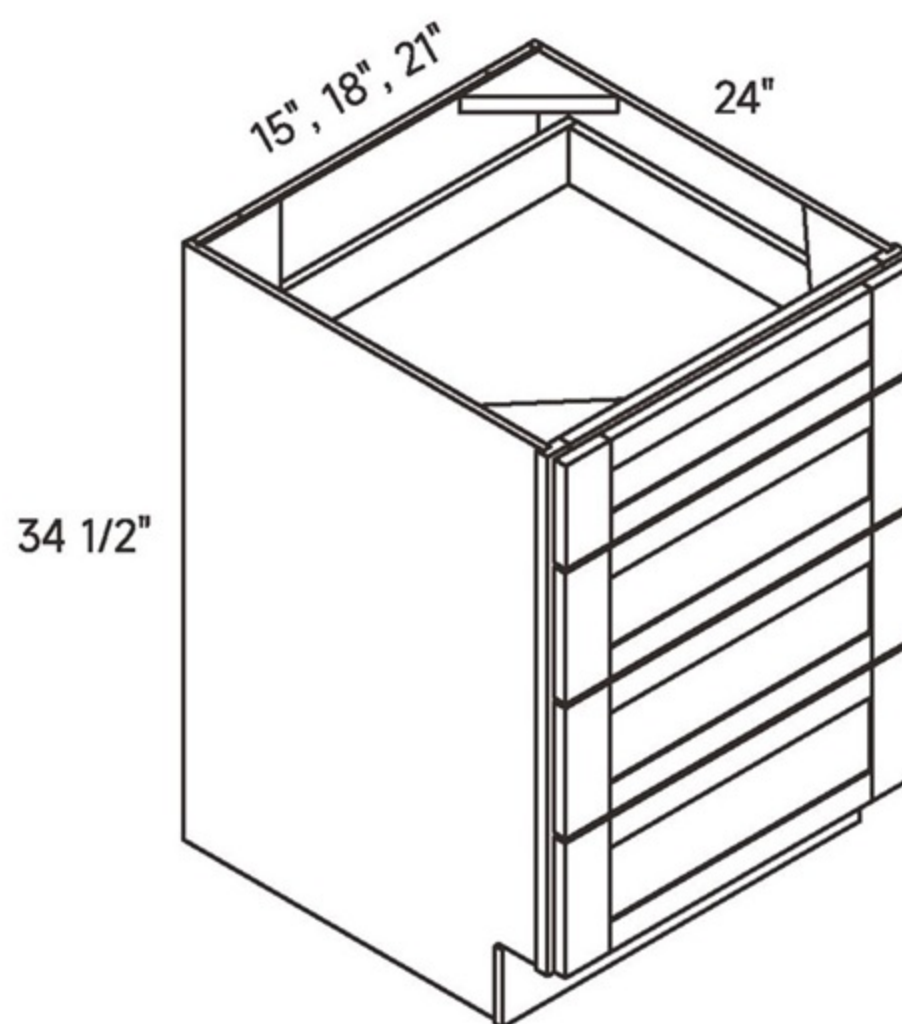
Cabinet Dimensions



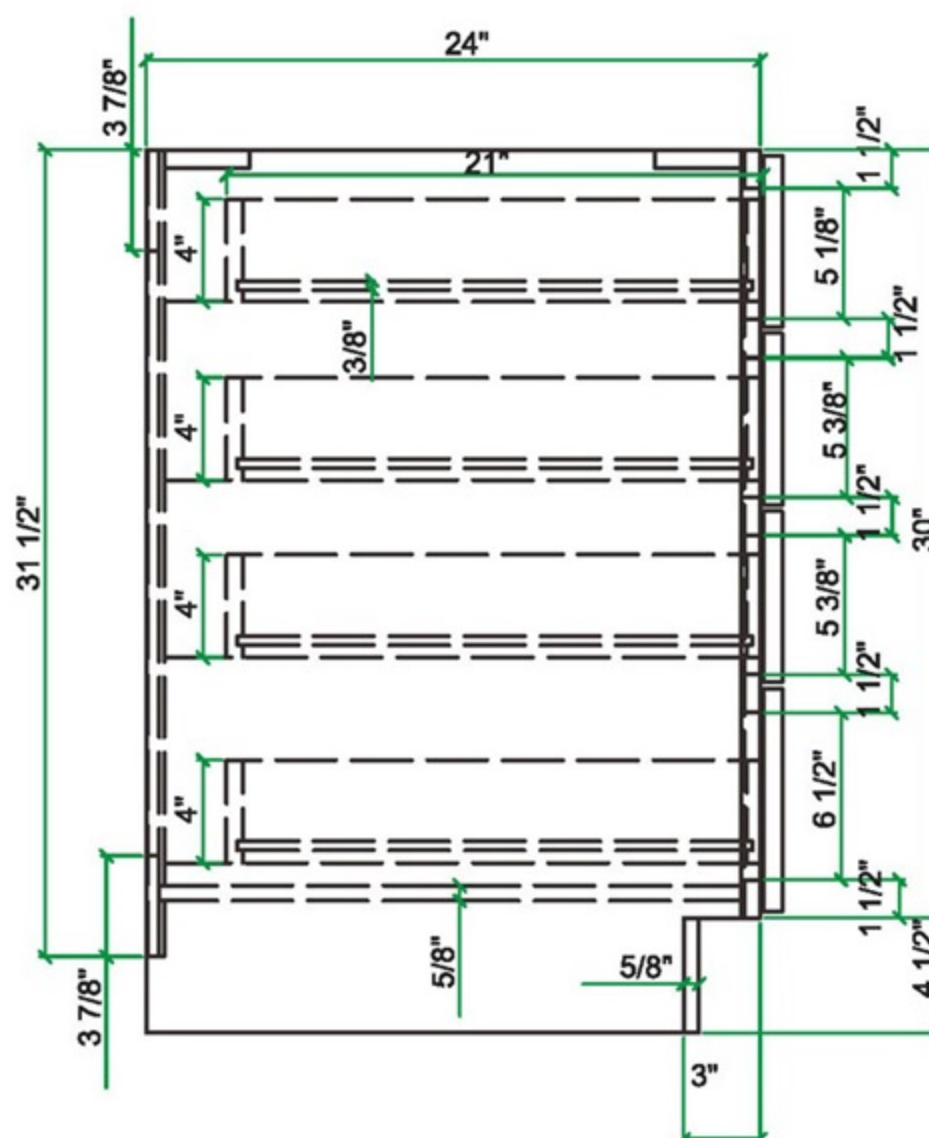
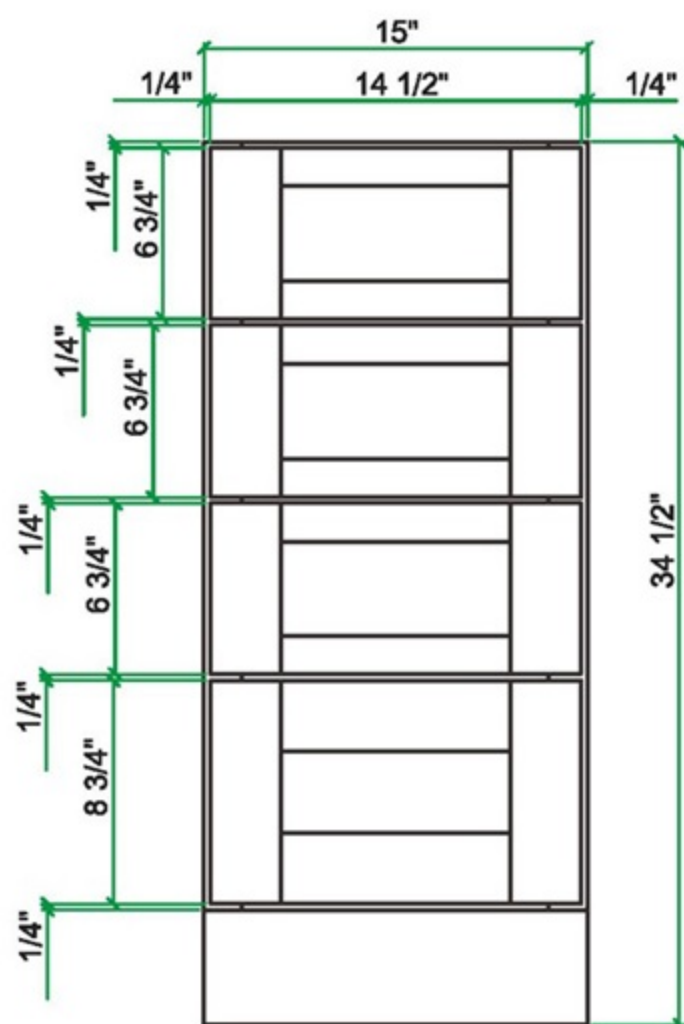
SKU	W	H	D	# of Drawers	Drawer opening			Drawer front size				
					Width	Height 1	Height 2	Height 3	Width	Height 1	Height 2	Height 3
DB12	12	34 1/2	24	3	9	5 1/8	9	9 3/8	11 1/2	6 5/8	11 1/8	11 1/8
DB15	15	34 1/2	24	3	12	5 1/8	9	9 3/8	14 1/2	6 5/8	11 1/8	11 1/8
DB18	18	34 1/2	24	3	15	5 1/8	9	9 3/8	17 1/2	6 5/8	11 1/8	11 1/8
DB21	21	34 1/2	24	3	18	5 1/8	9	9 3/8	20 1/2	6 5/8	11 1/8	11 1/8
DB24	24	34 1/2	24	3	21	5 1/8	9	9 3/8	23 1/2	6 5/8	11 1/8	11 1/8
DB27	27	34 1/2	24	3	24	5 1/8	9	9 3/8	26 1/2	6 5/8	11 1/8	11 1/8
DB30	30	34 1/2	24	3	27	5 1/8	9	9 3/8	29 1/2	6 5/8	11 1/8	11 1/8
DB33	33	34 1/2	24	3	30	5 1/8	9	9 3/8	32 1/2	6 5/8	11 1/8	11 1/8
DB36	36	34 1/2	24	3	33	5 1/8	9	9 3/8	35 1/2	6 5/8	11 1/8	11 1/8



Base Cabinets 4 Drawers



Cabinet Dimensions

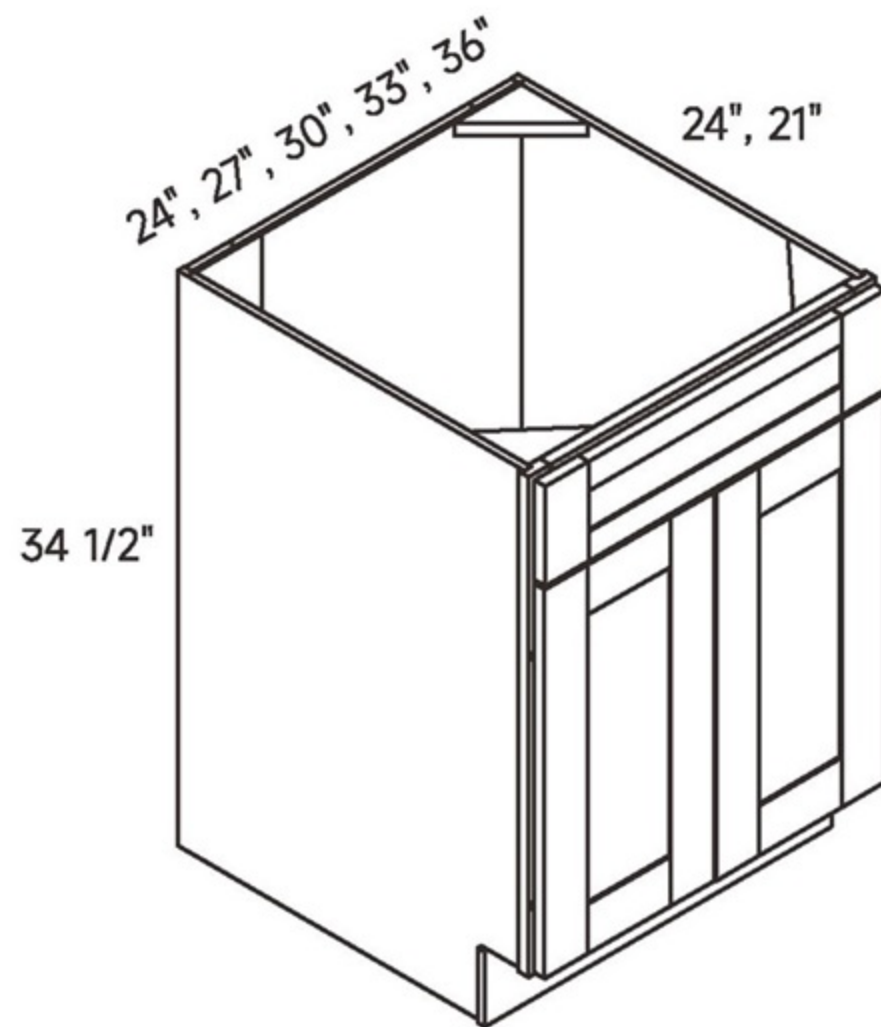


BASE CABINET

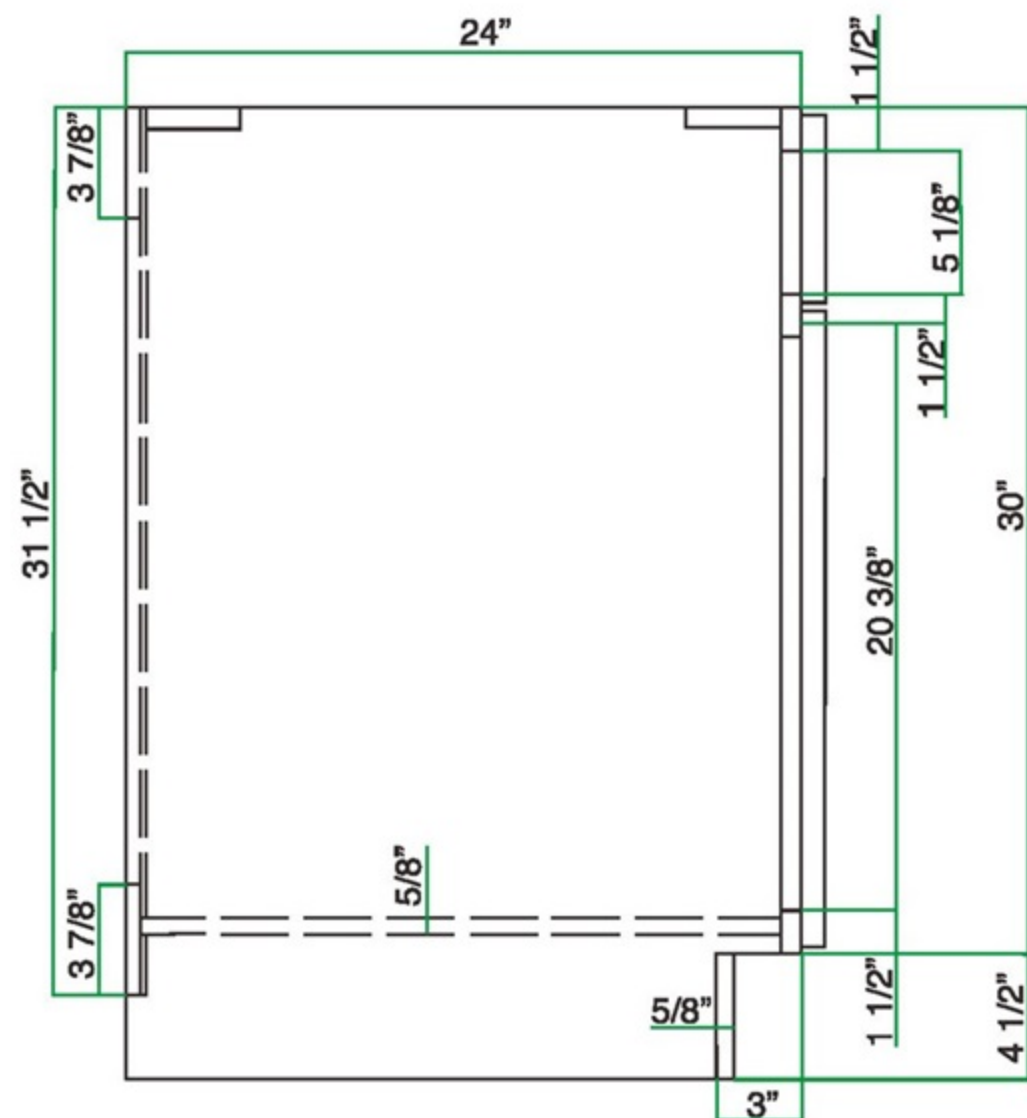
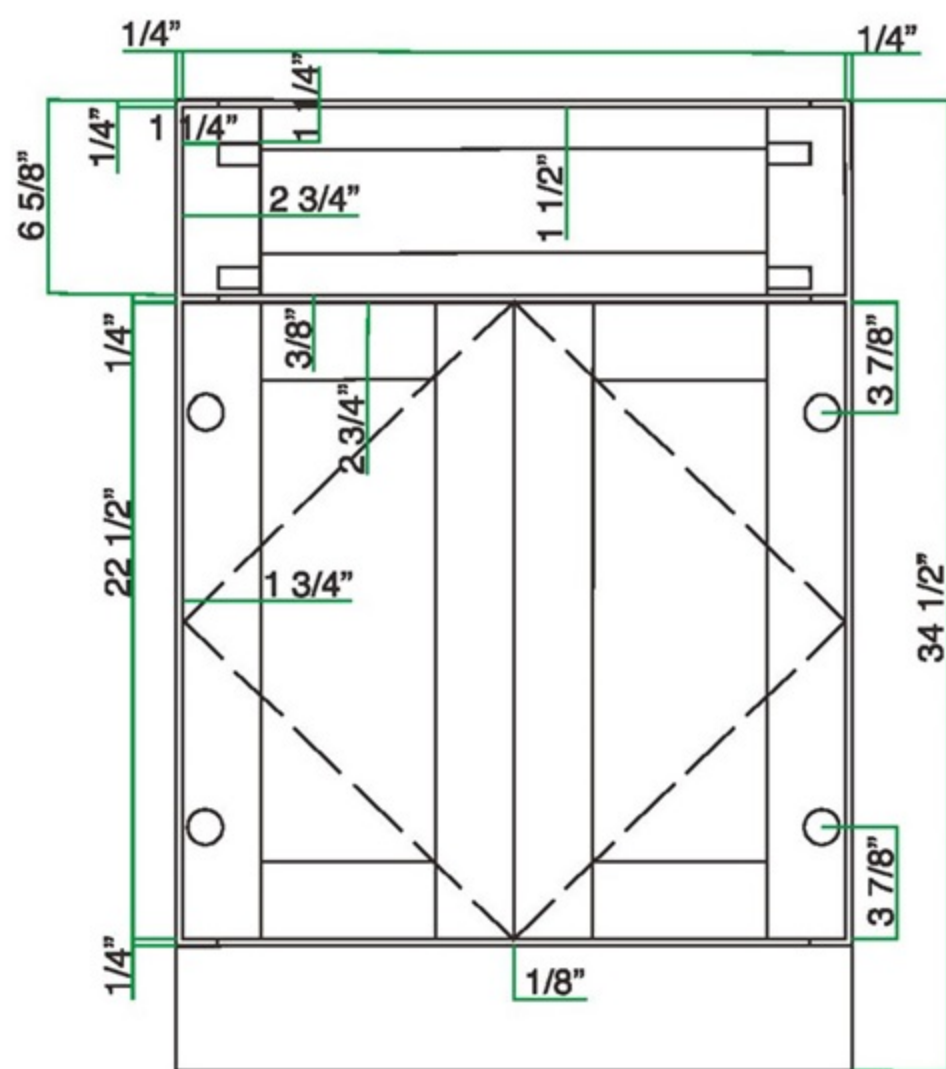
SKU	W	H	D	# of Drawers	Drawer opening					Drawer front size				
					Width	Height 1	Height 2	Height 3	Height 4	Width	Height 1	Height 2	Height 3	Height 4
DB15-4	15	34 1/2	24	2	12	5 1/8	5 3/8	5 3/8	6 1/2	14 1/2	6 3/4	6 3/4	6 3/4	8 3/4
DB18-4	18	34 1/2	24	2	15	5 1/8	5 3/8	5 3/8	6 1/2	17 1/2	6 3/4	6 3/4	6 3/4	8 3/4
DB21-4	21	34 1/2	24	2	21	5 1/8	5 3/8	5 3/8	6 1/2	20 1/2	6 3/4	6 3/4	6 3/4	8 3/4



Base Cabinets Sink

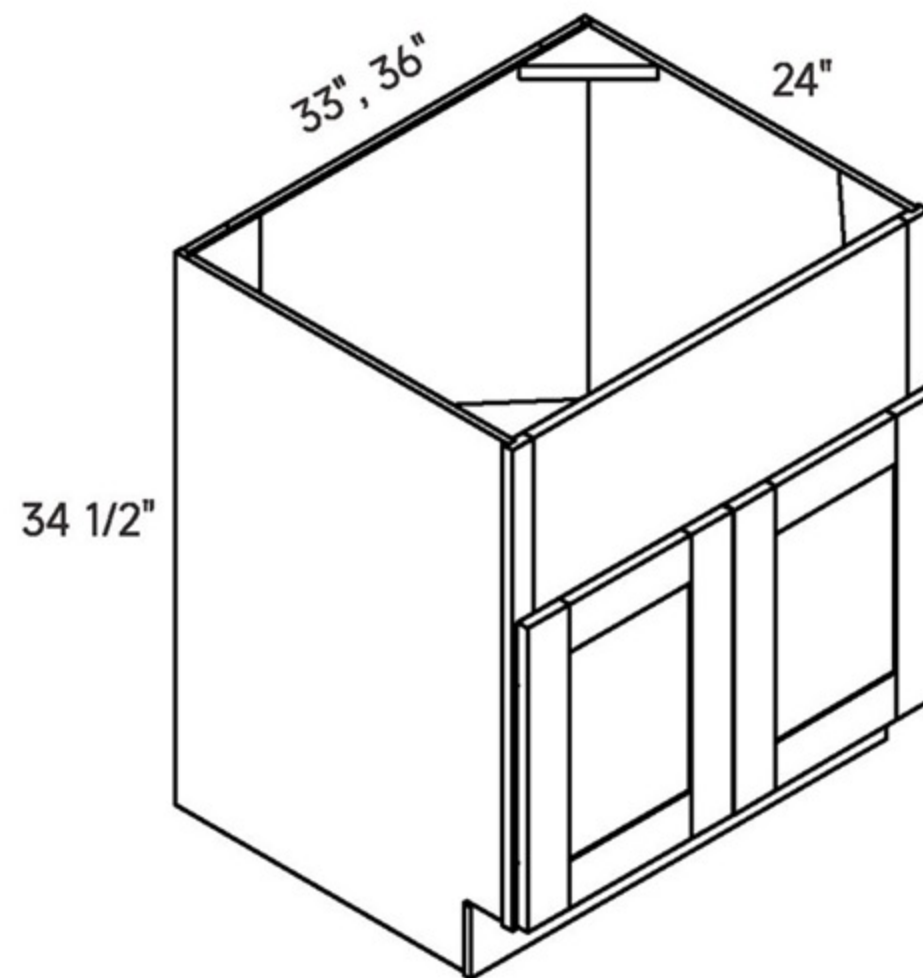


Cabinet Dimensions

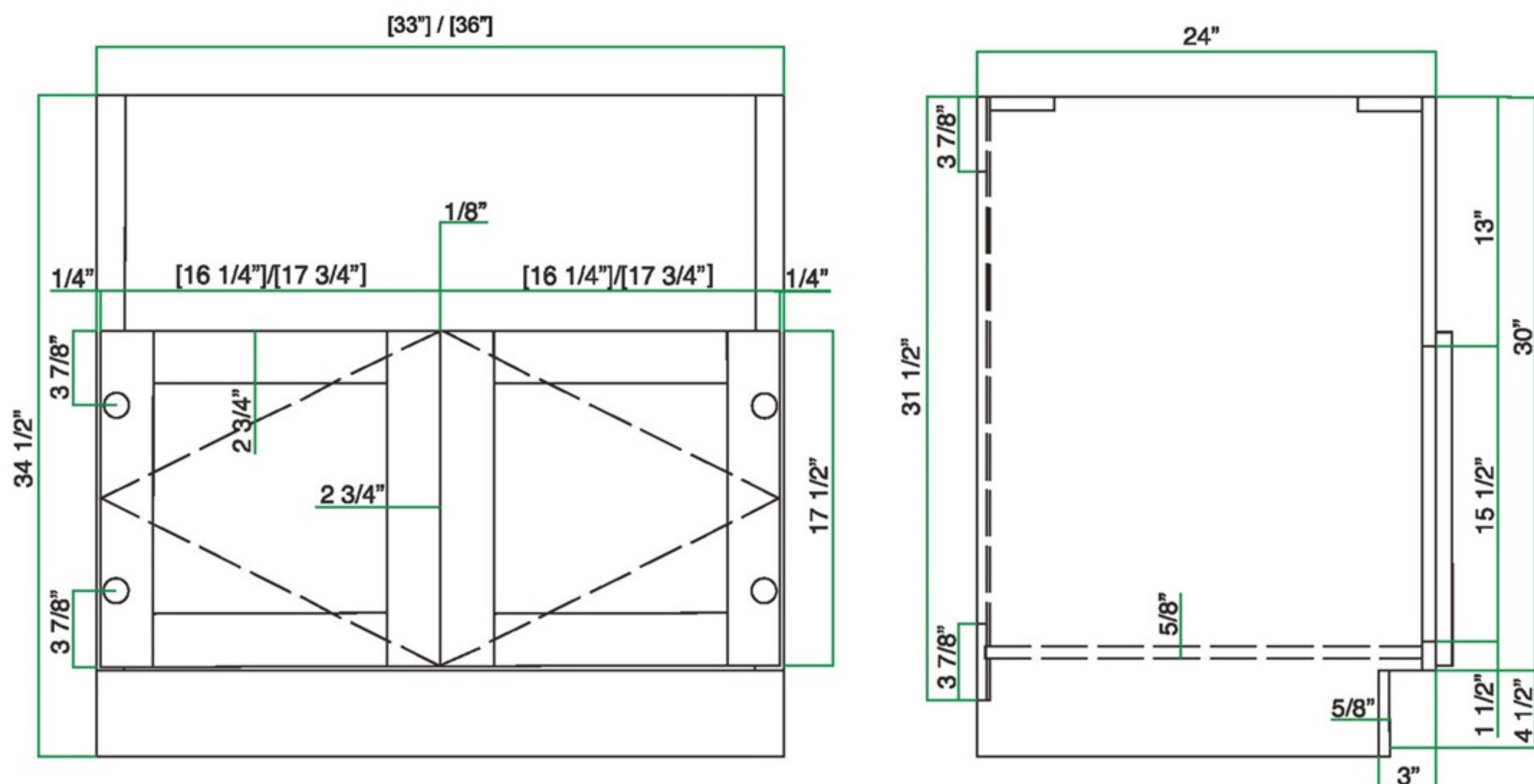


SKU	W	H	D	Door	False Drawer	Door Opening		Door		False Drawer Opening		False Drawer front Size	
						Width	Height	Width	Height	Width	Height	Width	Height
SB21	21	34 1/2	24	1	1	18	20 3/8	20 1/2	22 1/2	18	5 1/8	20 1/2	6 5/8
SB24	24	34 1/2	24	2	1	21	20 3/8	11 3/4	22 1/2	21	5 1/8	23 1/2	6 5/8
SB27	27	34 1/2	24	2	1	24	20 3/8	11 3/4	22 1/2	24	5 1/8	26 1/2	6 5/8
SB30	30	34 1/2	24	2	1	27	20 3/8	11 3/4	22 1/2	27	5 1/8	29 1/2	6 5/8
SB33	33	34 1/2	24	2	1	30	20 3/8	11 3/4	22 1/2	30	5 1/8	32 1/2	6 5/8
SB36	36	34 1/2	24	2	1	33	20 3/8	11 3/4	22 1/2	33	5 1/8	35 1/2	6 5/8

Base Cabinets Farm Sink



Cabinet Dimensions



SINK BASES

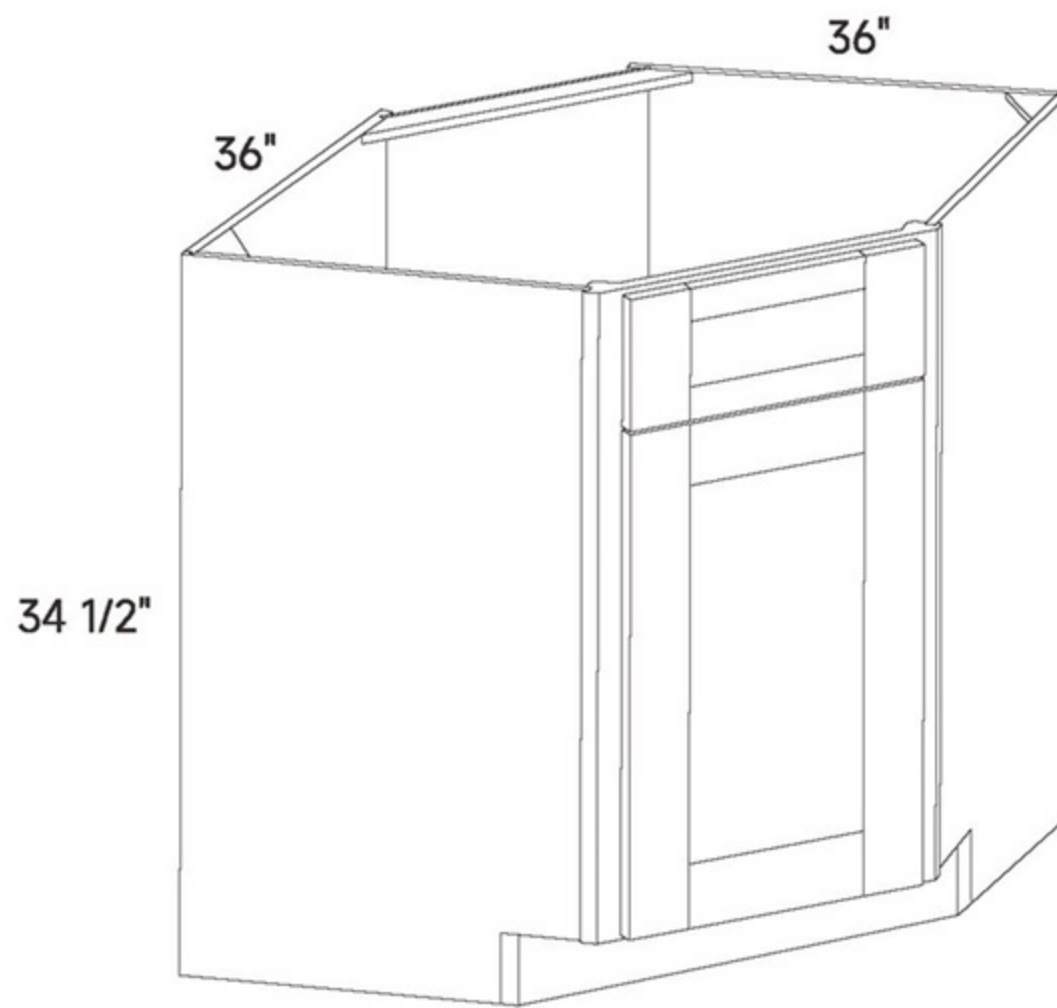
SKU	W	H	D	Door	Drawer opening		Drawer front size	
					Width W2	Height	Width W1	Height
FS33	33	34 1/2	24	2	30	15 1/2	16 1/4	17 1/2
FS36	36	34 1/2	24	2	33	15 1/2	17 3/4	17 1/2

- Cut opening on job site
- Frame has a full closed top panel
- Maximum cutout height 12"
- Maximum cutout width 1-1/2" less than the cabinet size

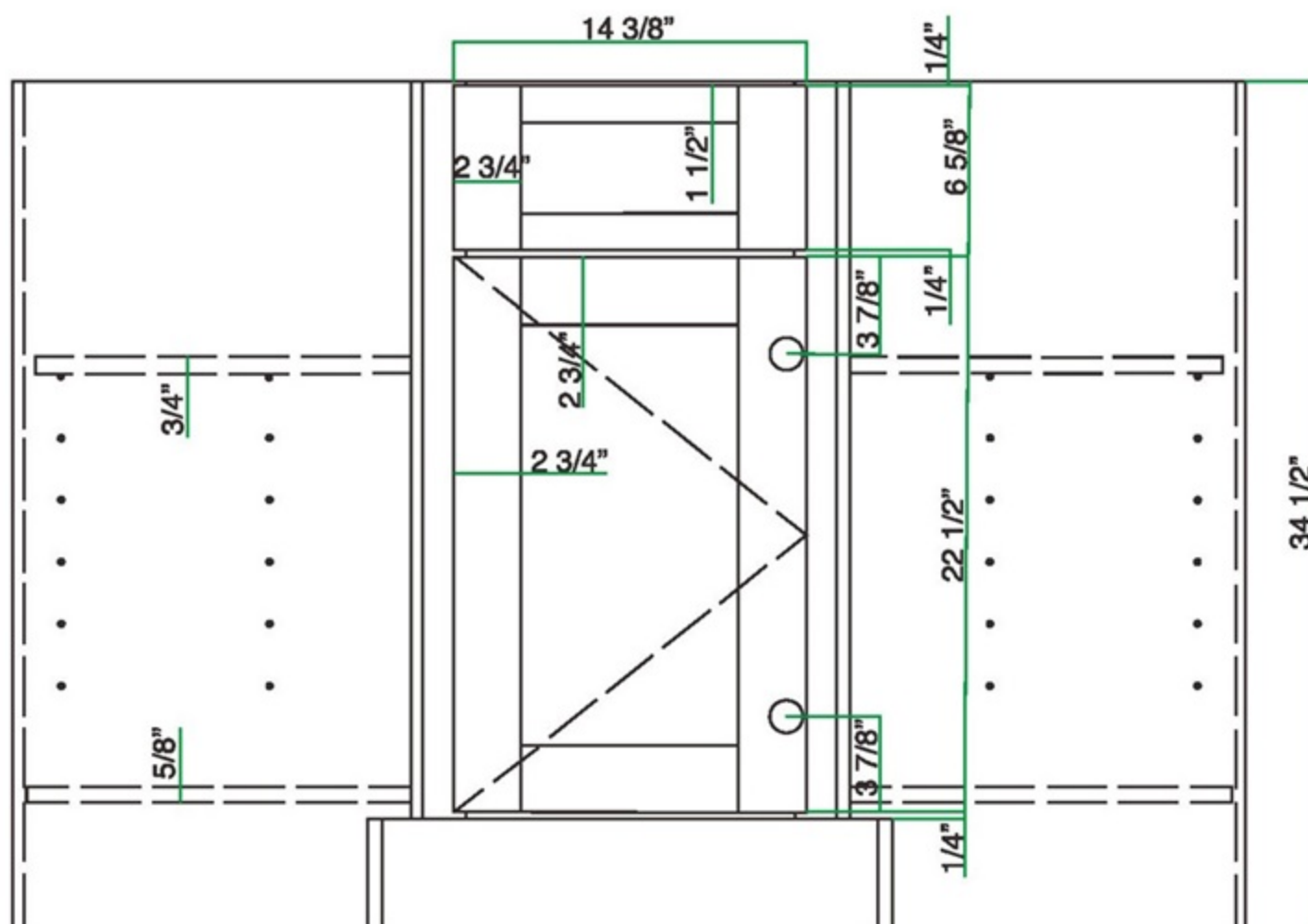
Note: To avoid damage please apply extra care when cutting the front panel.



Base Cabinets Diagonal Sink

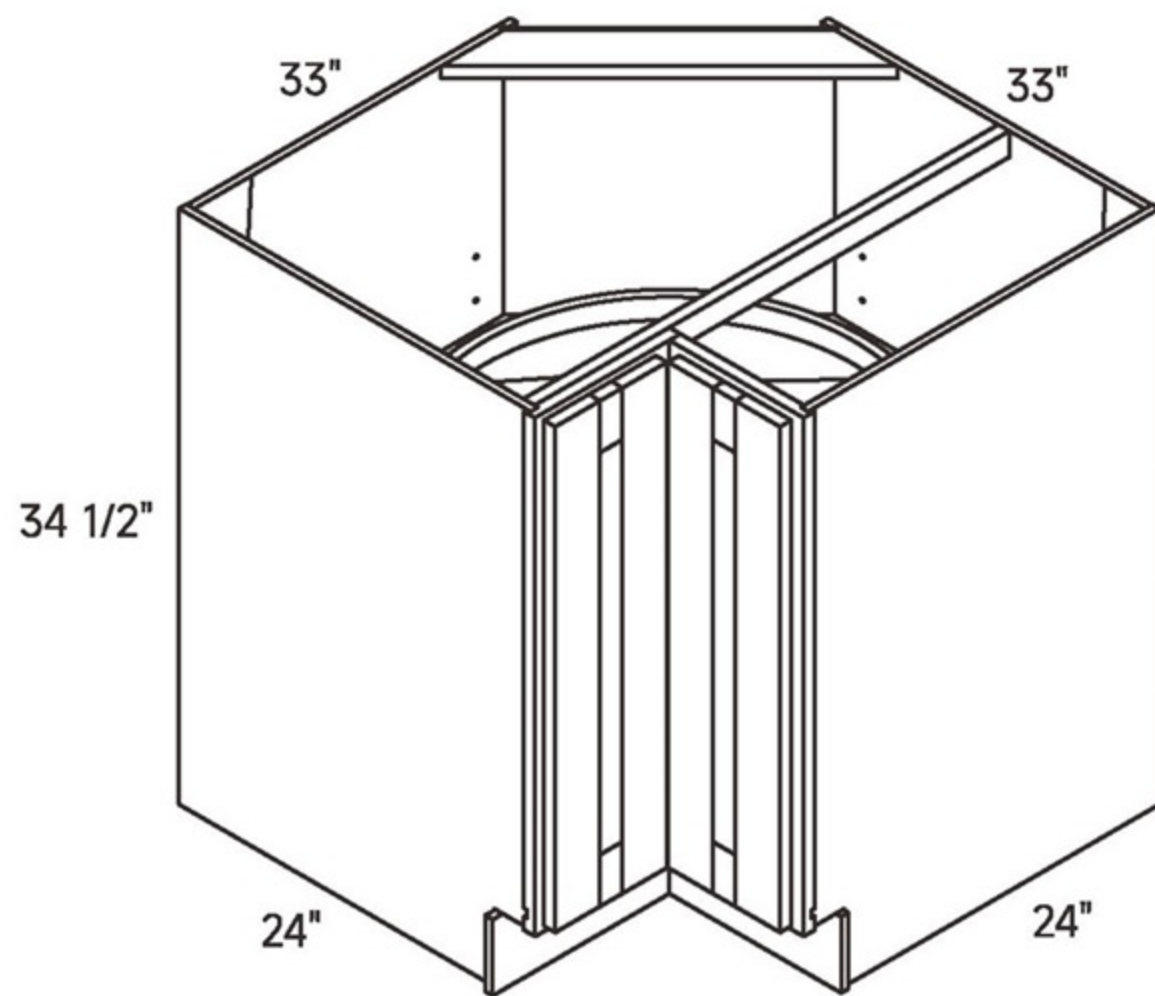


Cabinet Dimensions



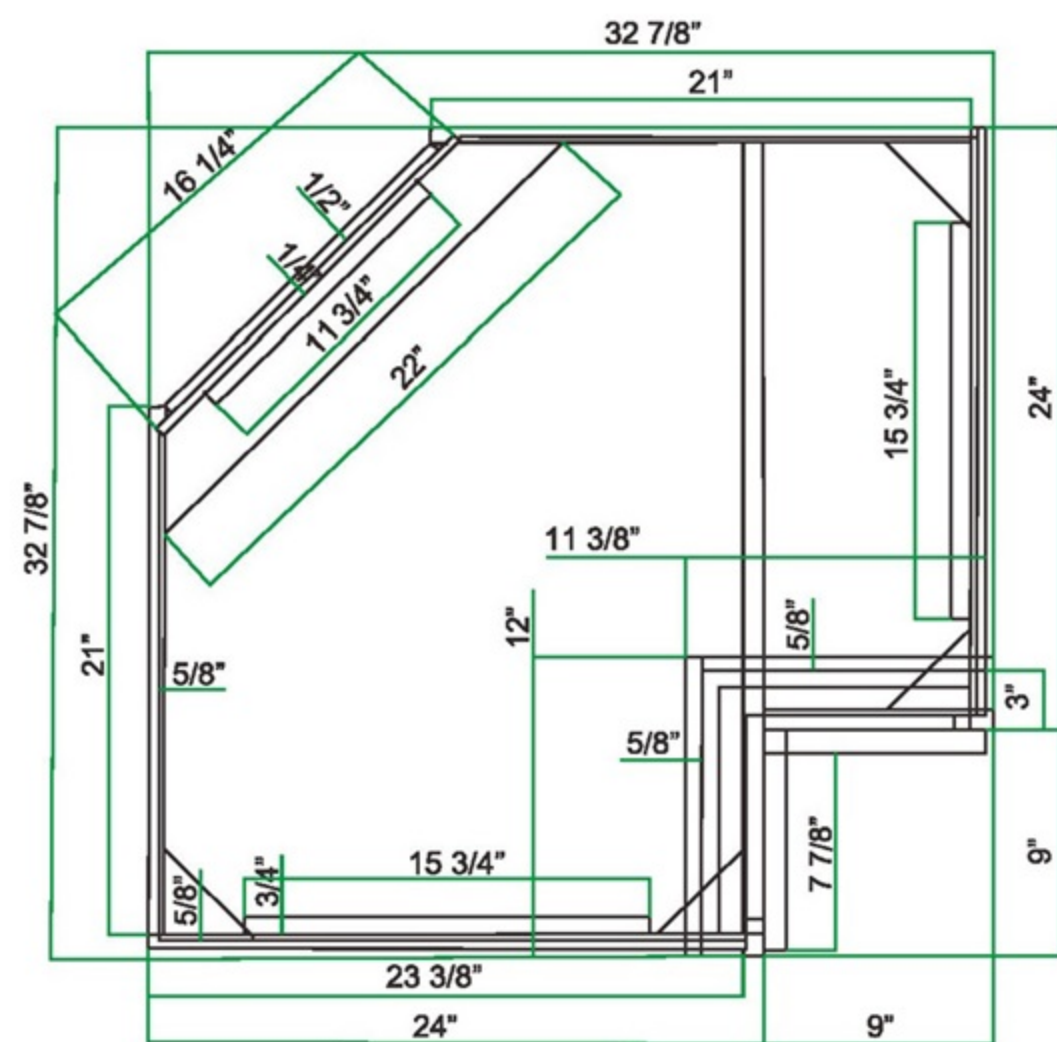
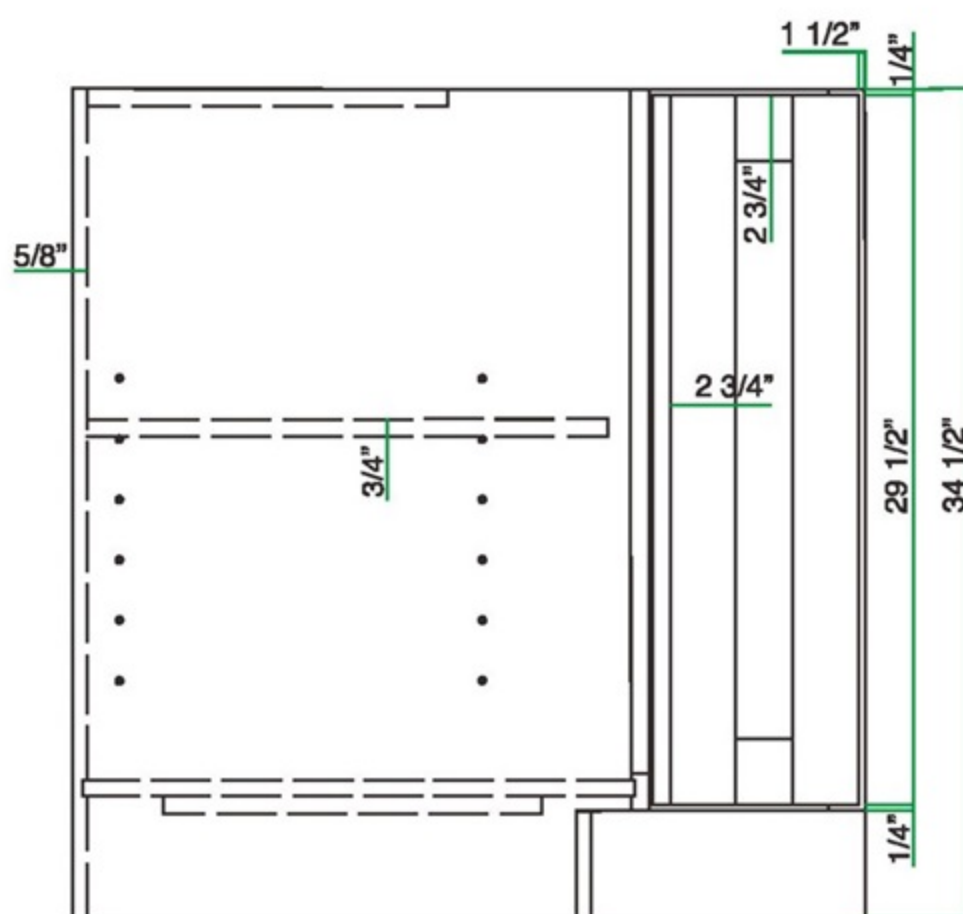
SKU	W	H	D	Door	False Drawer	Door Opening		Door		False Drawer Opening		False Drawer front Size	
						Width	Height	Width	Height	Width	Height	Width	Height
DSB36	36/18	34 1/2	24	1	1	13 1/2	20 3/8	14 3/8	22 1/2	13 1/2	5 1/8	13 1/2	6 5/8

Base Corner Cabinets Lazy Susan & Easy Reach



Cabinet Dimensions

ERCB33



BASE CABINET

SKU	W	H	D	Door	Drawer opening		Door	
					Width W2	Height	Width W1	Height
ERCB33	36	34 1/2	24	1		27		29 1/2
LSB33	36	34 1/2	24	1		27		29 1/2

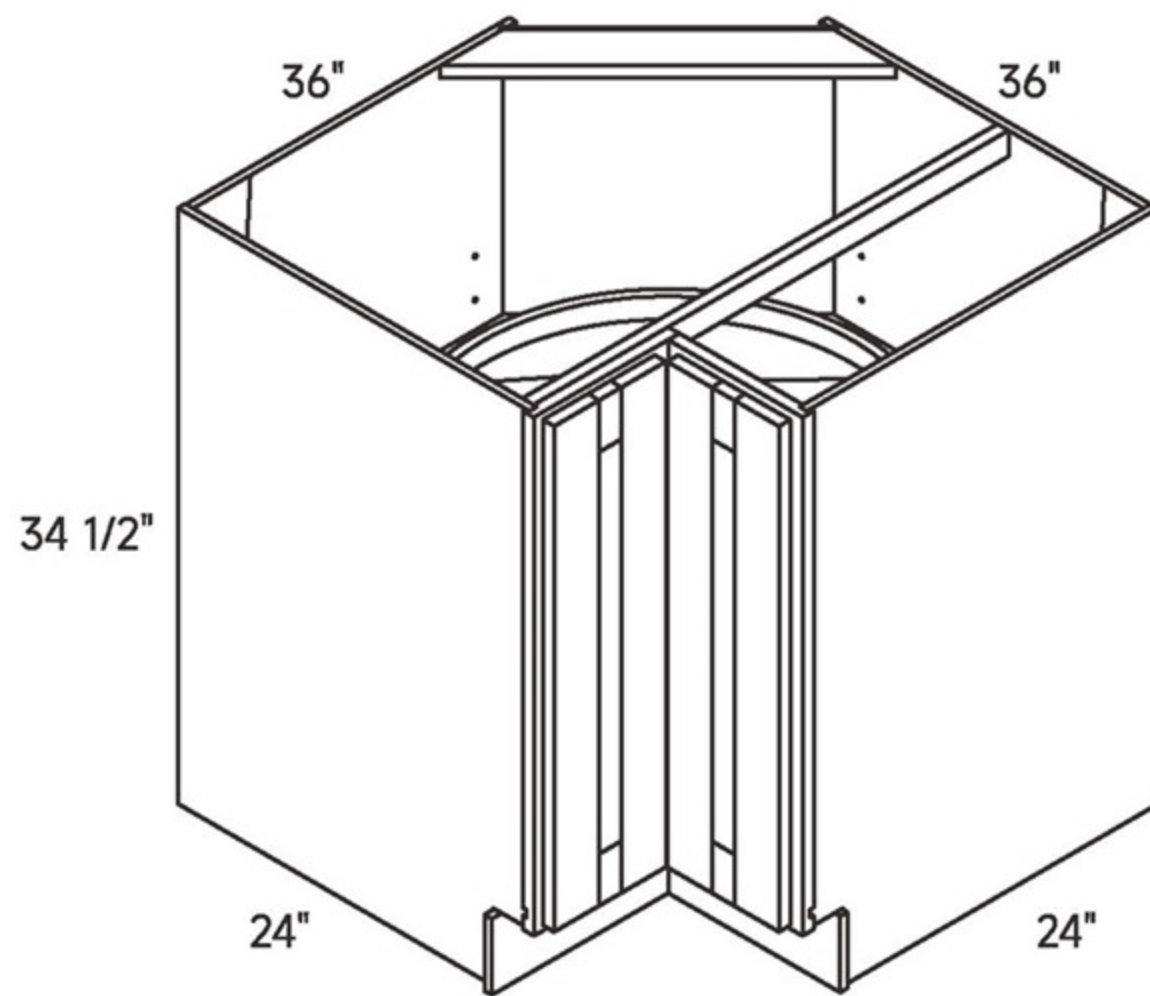
Easy Reach shelf is adjustable.

Lazy Susan come with two wooden trays rotate independently.

Soft close hinge not available.

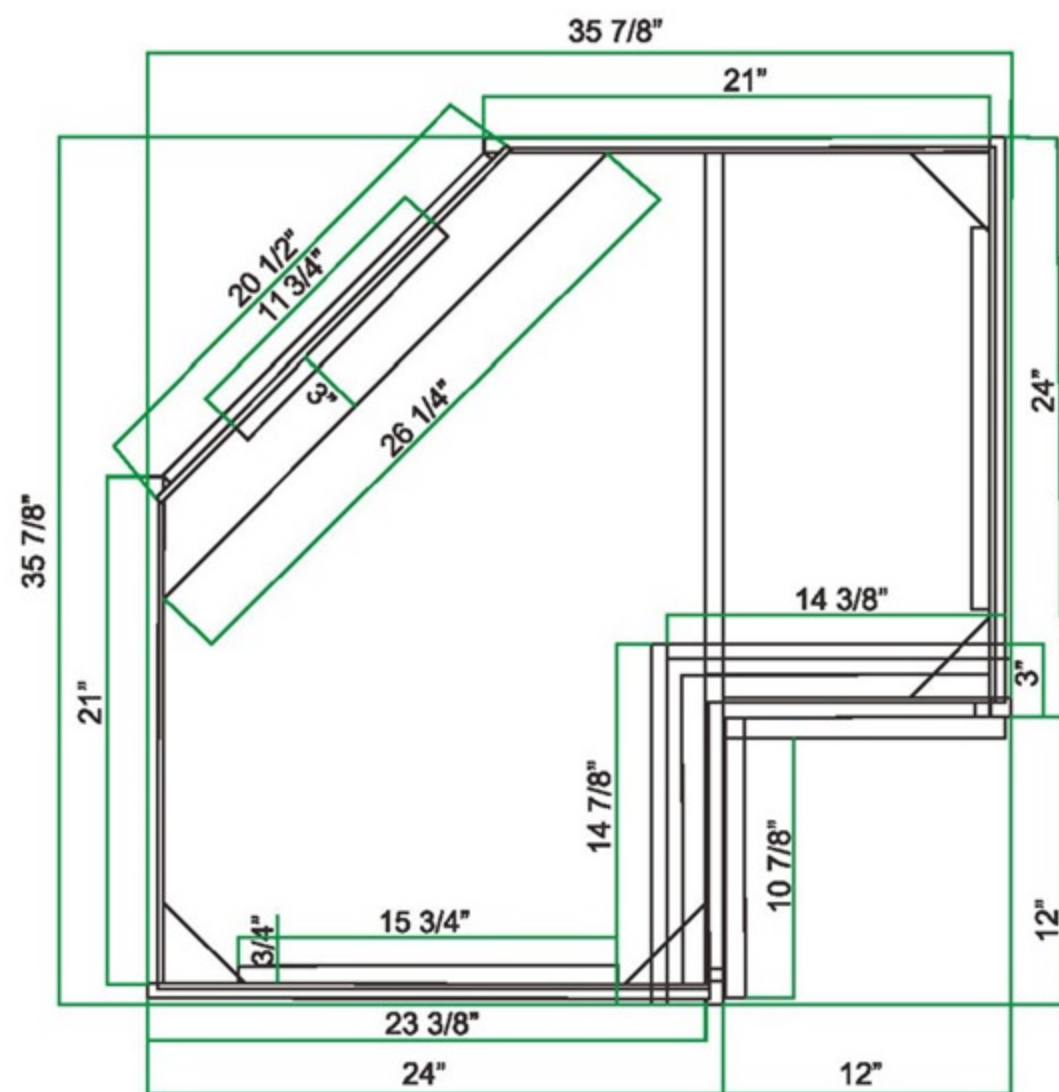
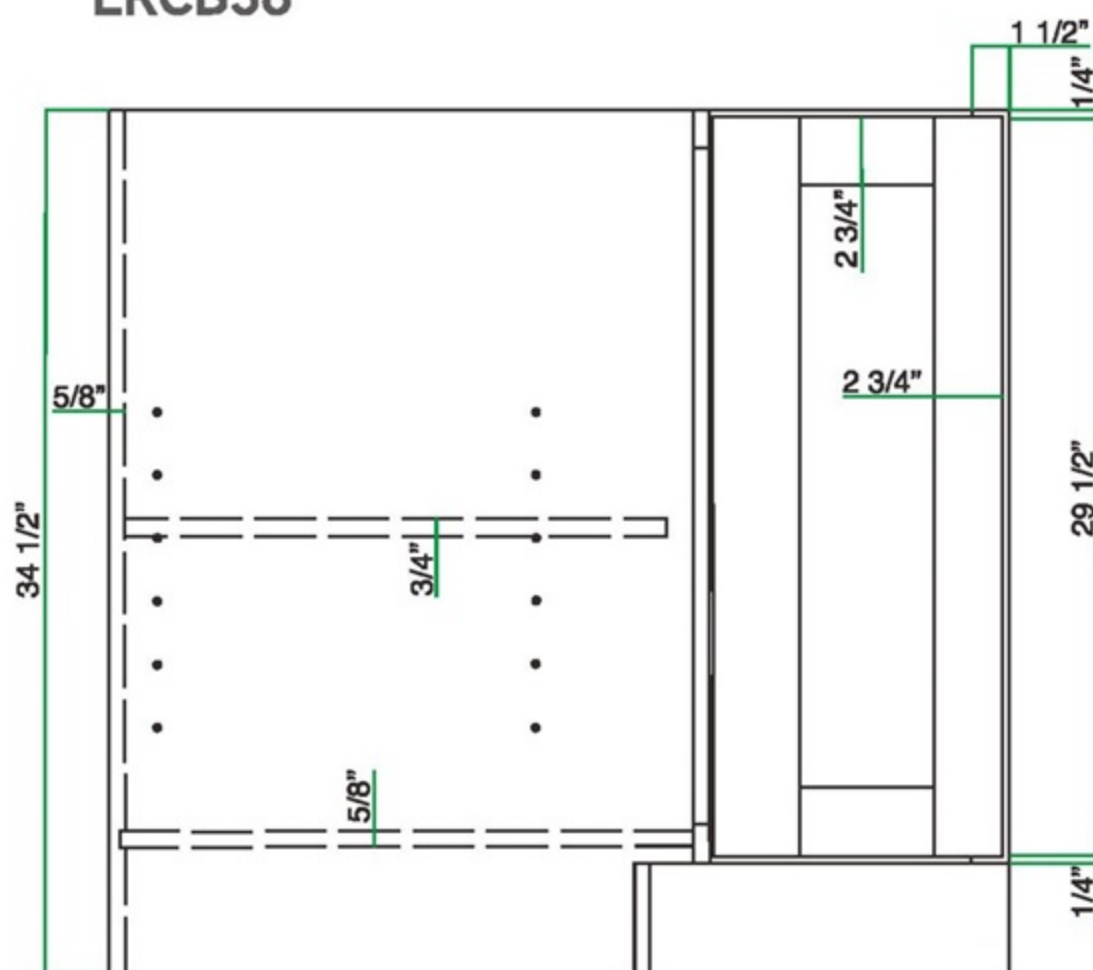


Base Corner Cabinets Lazy Susan & Easy Reach



Cabinet Dimensions

ERCB36



Drawer opening

Door

SKU	W	H	D	Door	Drawer opening		Door	
					Width W2	Height	Width W1	Height
ERCB36	36	34 1/2	24	1		27		29 1/2
LSB36	36	34 1/2	24	1		27		29 1/2

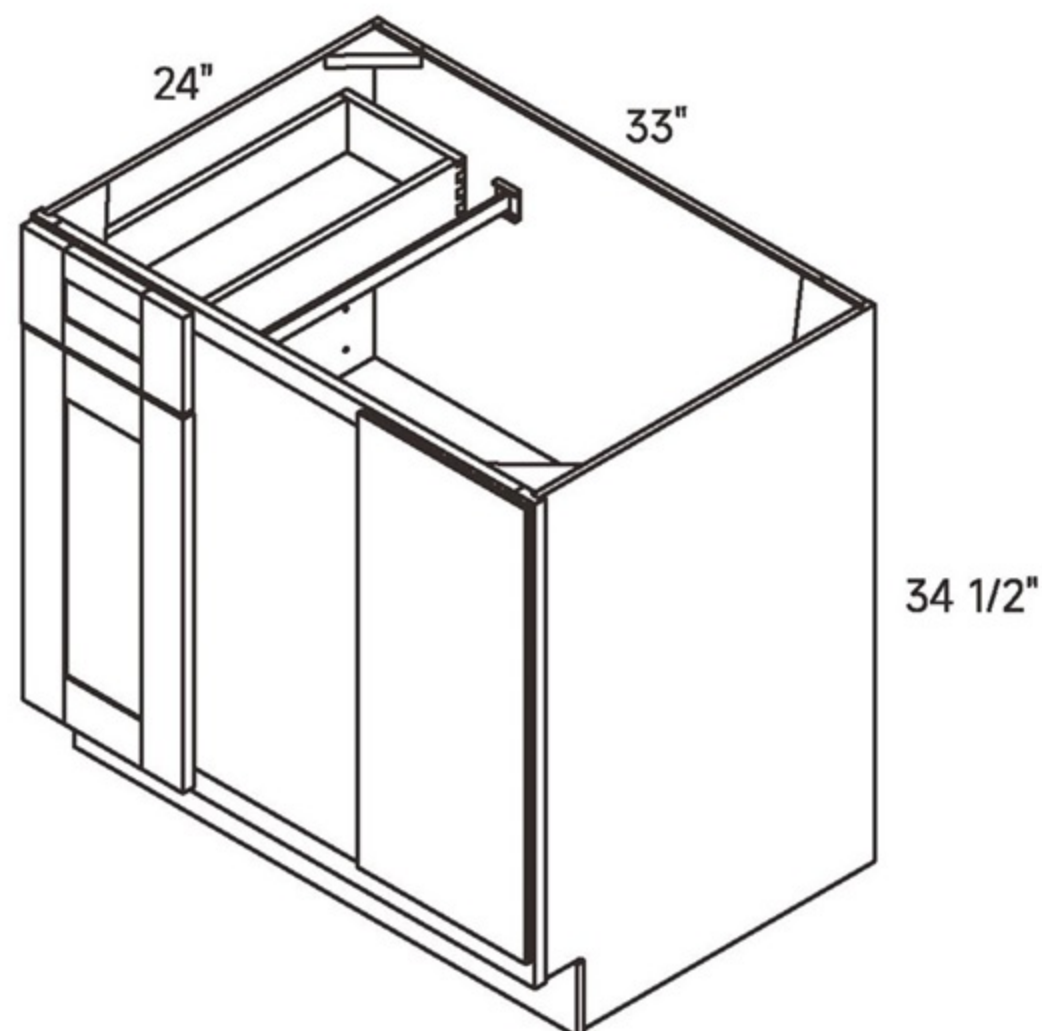
Easy Reach shelf is adjustable.

Lazy Susan come with two wooden trays rotate independently.

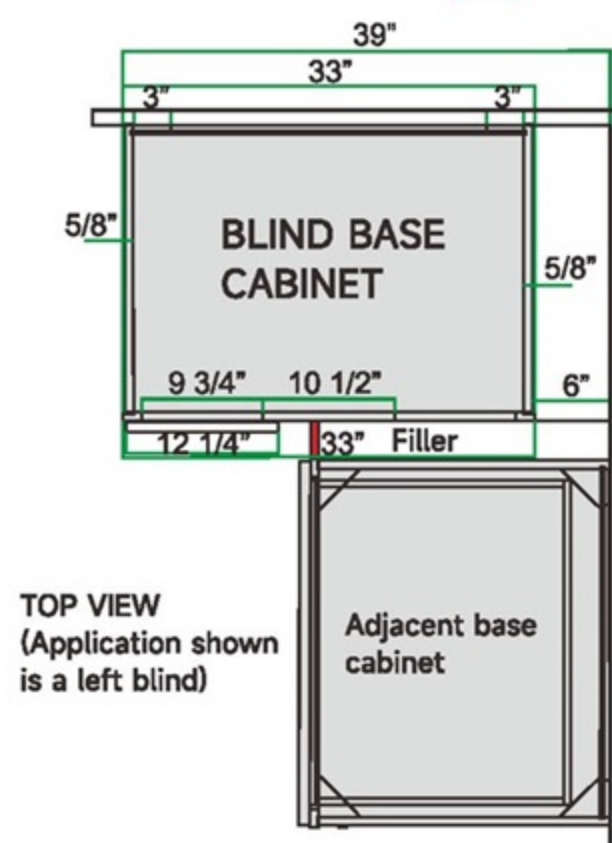
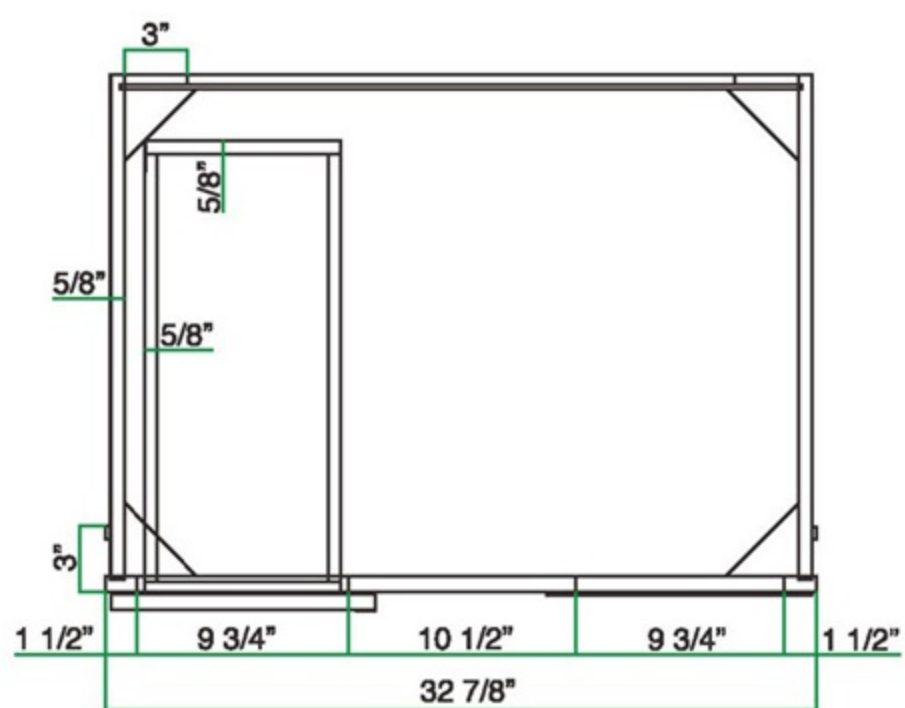
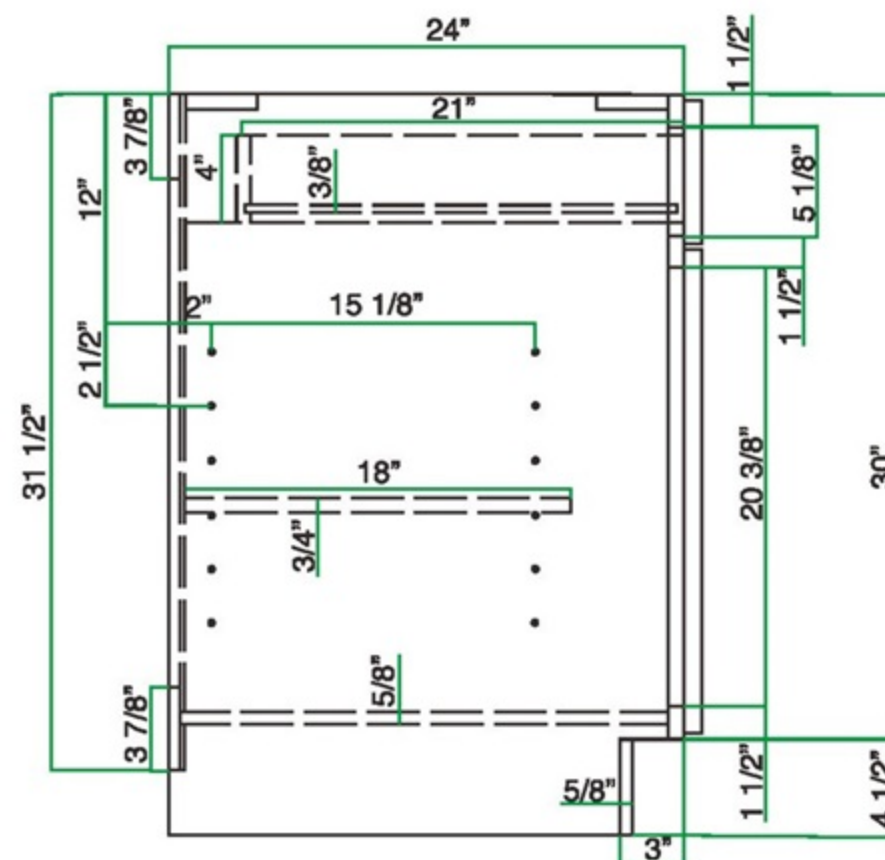
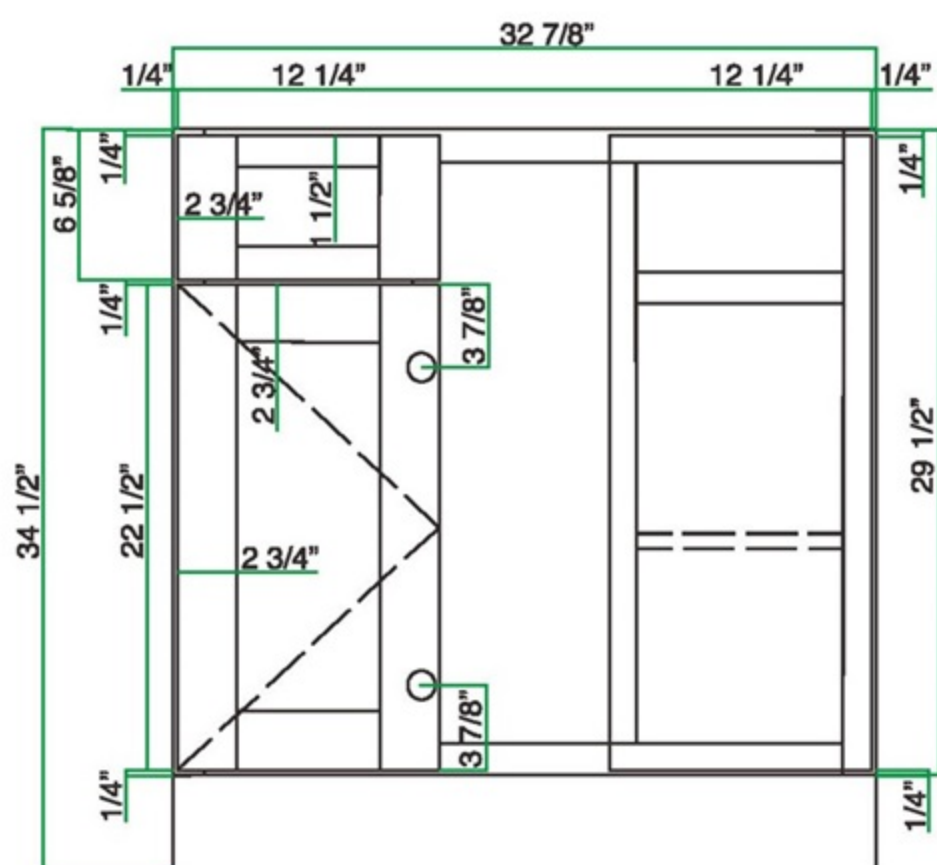
Soft close hinge not available.

Base Corner Cabinets Blind

- *Must use filler on adjacent wall (not supplied)
- *Actual width is 33"
- *Minimum pull 39"
- *Maximum pull 42"
- *Override pull 44"



Cabinet Dimensions



TOP VIEW
(Application shown is a left blind)

BASE CABINET

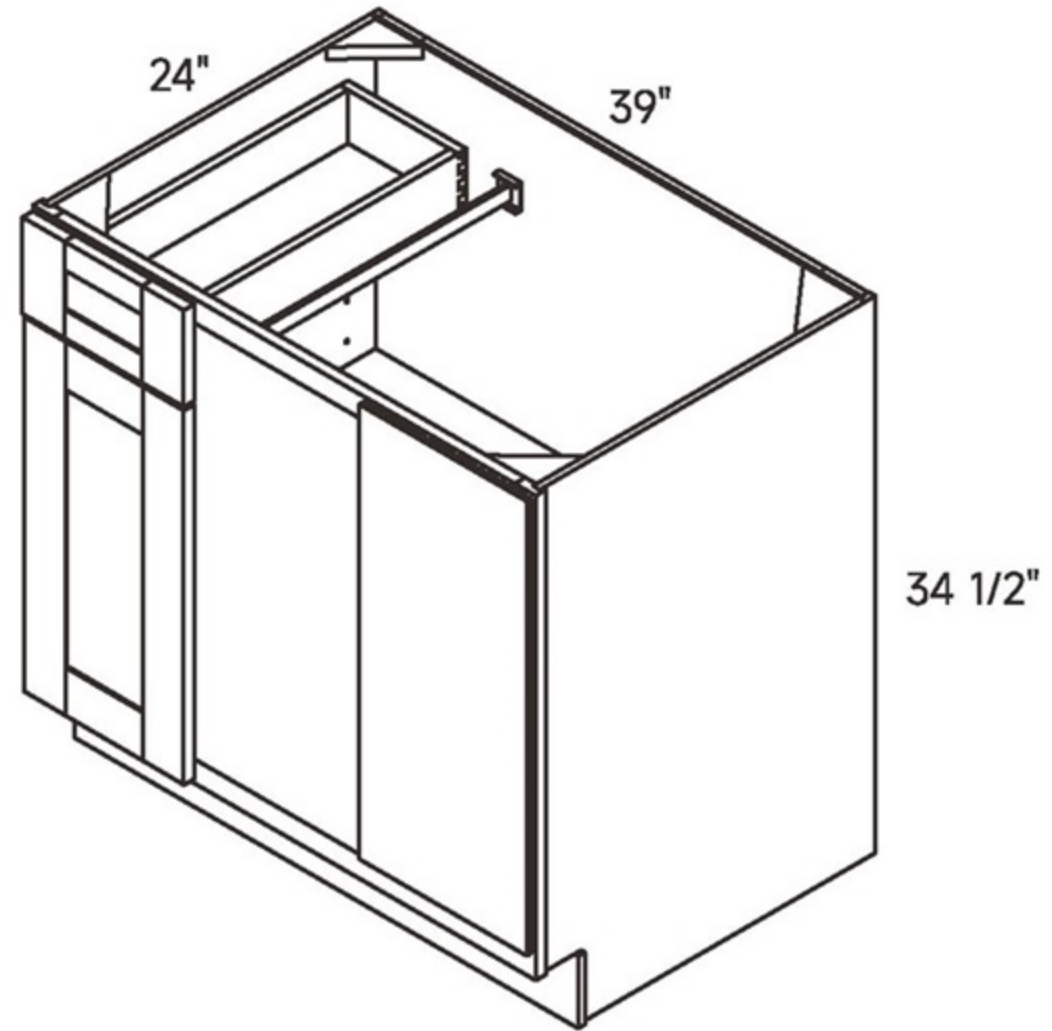
SKU	Door Opening			Door		False Drawer Opening		False Drawer front Size					
	W	H	D	Door	False Drawer	Width	Height	Width	Height	Width	Height	Width	Height
BBC39/42	33	34 1/2	24	1	1	9 3/4	20 3/8	12 1/4	22 1/2	9 3/4	5 1/8	12 1/4	6 5/8

Must use filler on adjacent wall (not supplied)

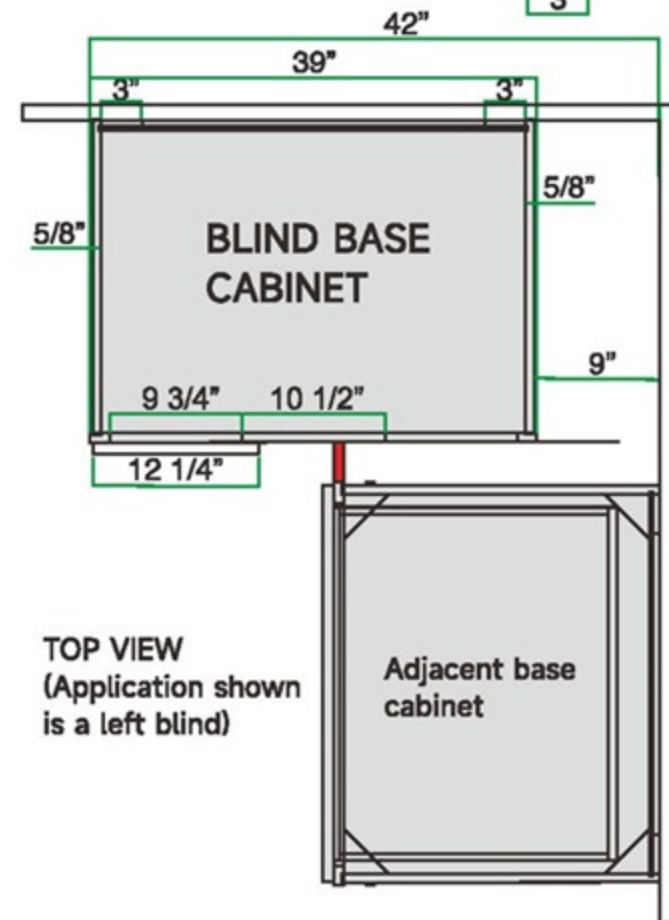
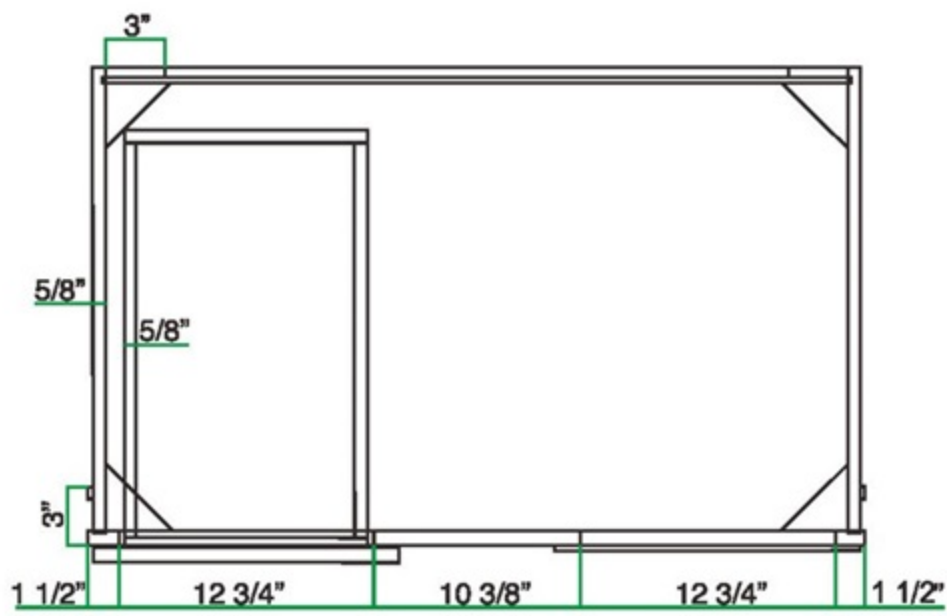
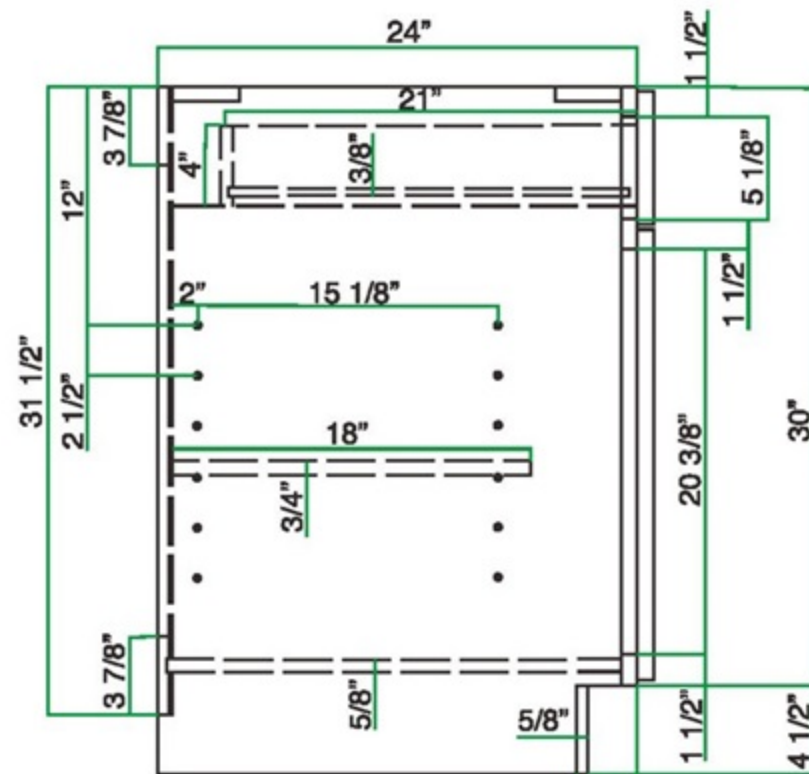
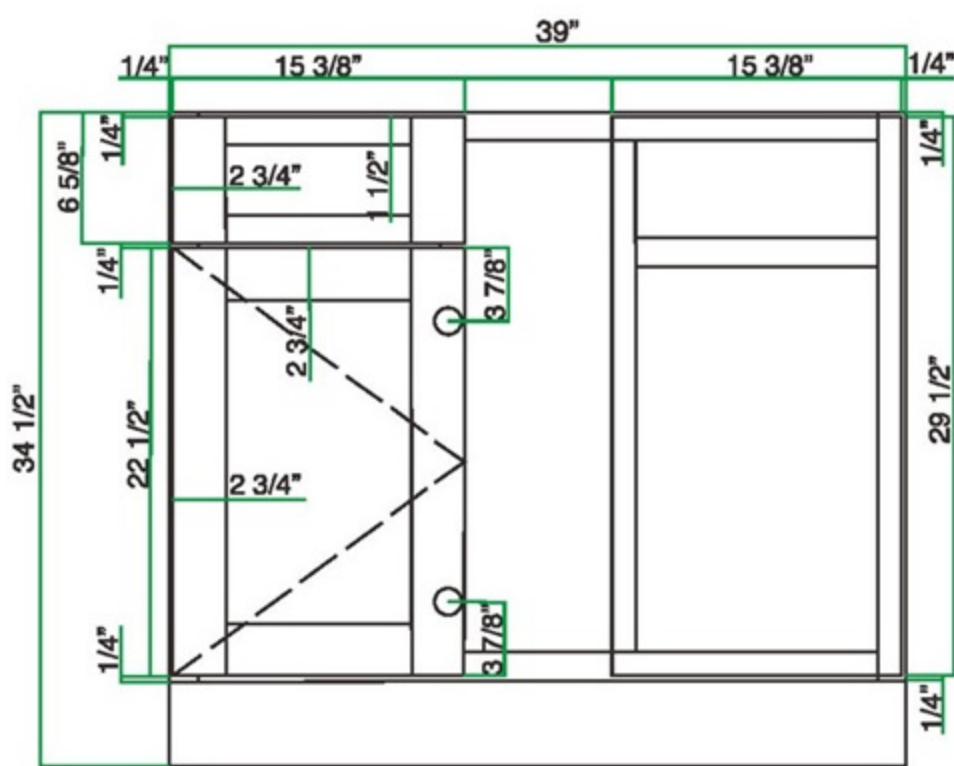


Base Corner Cabinets Blind

- *Must use filler on adjacent wall (not supplied)
- *Actual width is 39"
- *Minimum pull 42"
- *Maximum pull 45"
- *Override pull 47"



Cabinet Dimensions



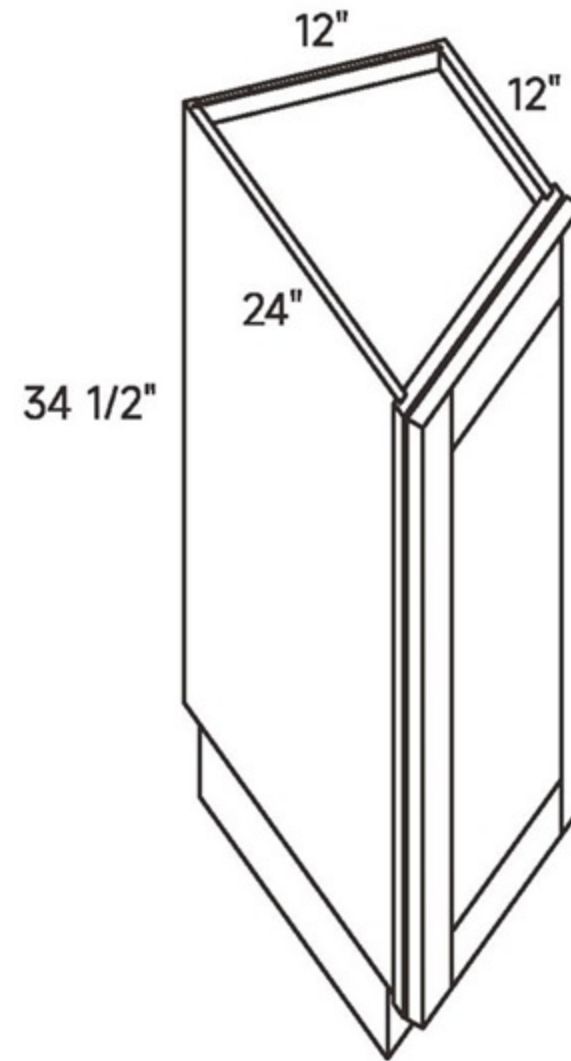
TOP VIEW
(Application shown is a left blind)

SKU	Door Opening			Door		False Drawer Opening		False Drawer front Size					
	W	H	D	Door	False Drawer	Width	Height	Width	Height	Width	Height	Width	Height
BBC42/45	39	34 1/2	24	1	1	12 3/4	20 3/8	15 3/8	22 1/2	12 3/4	5 1/8	15 3/8	6 5/8

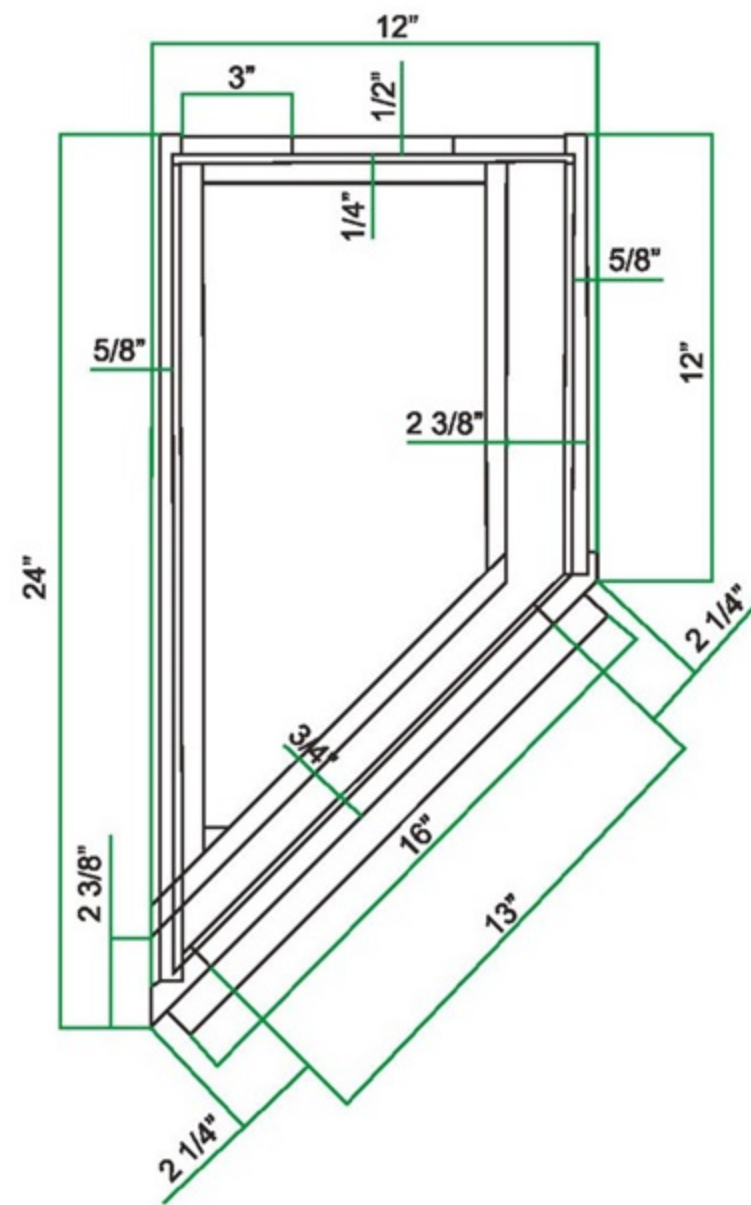
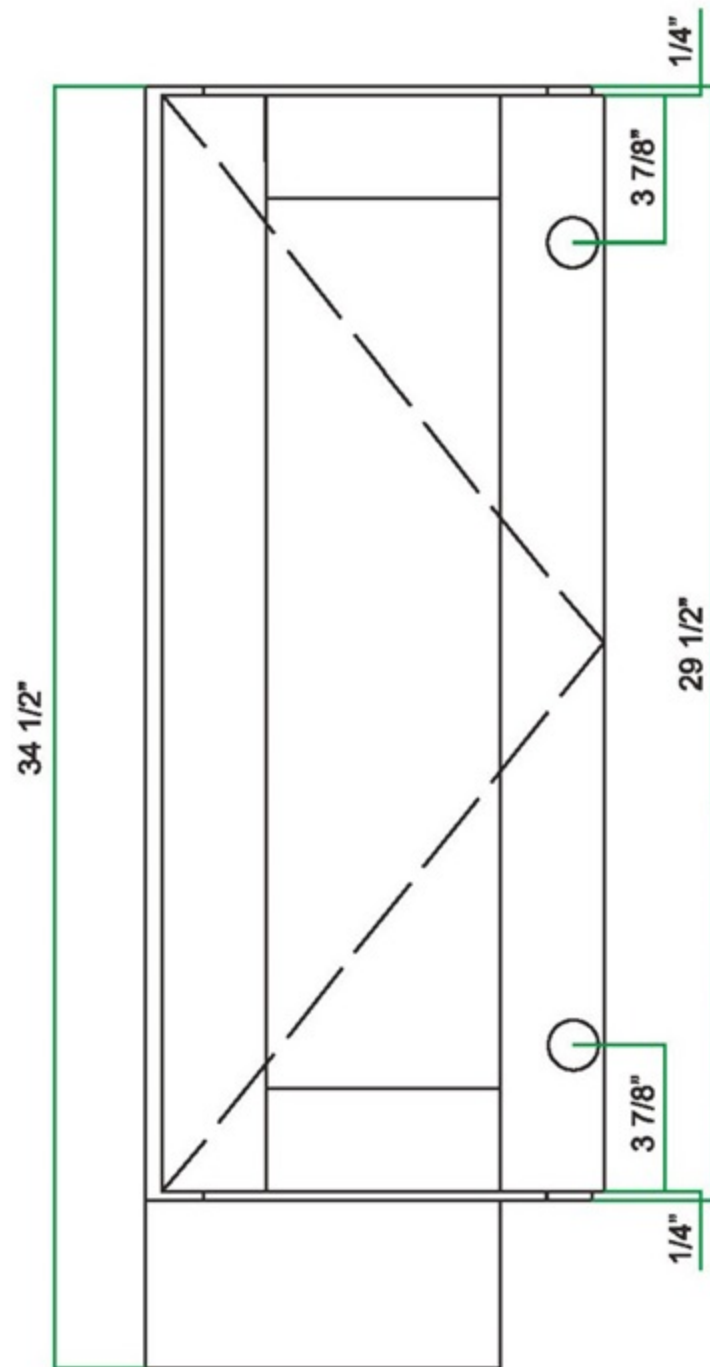
Must use filler on adjacent wall (not supplied)



Specialty Base Cabinets Transitional



Cabinet Dimensions

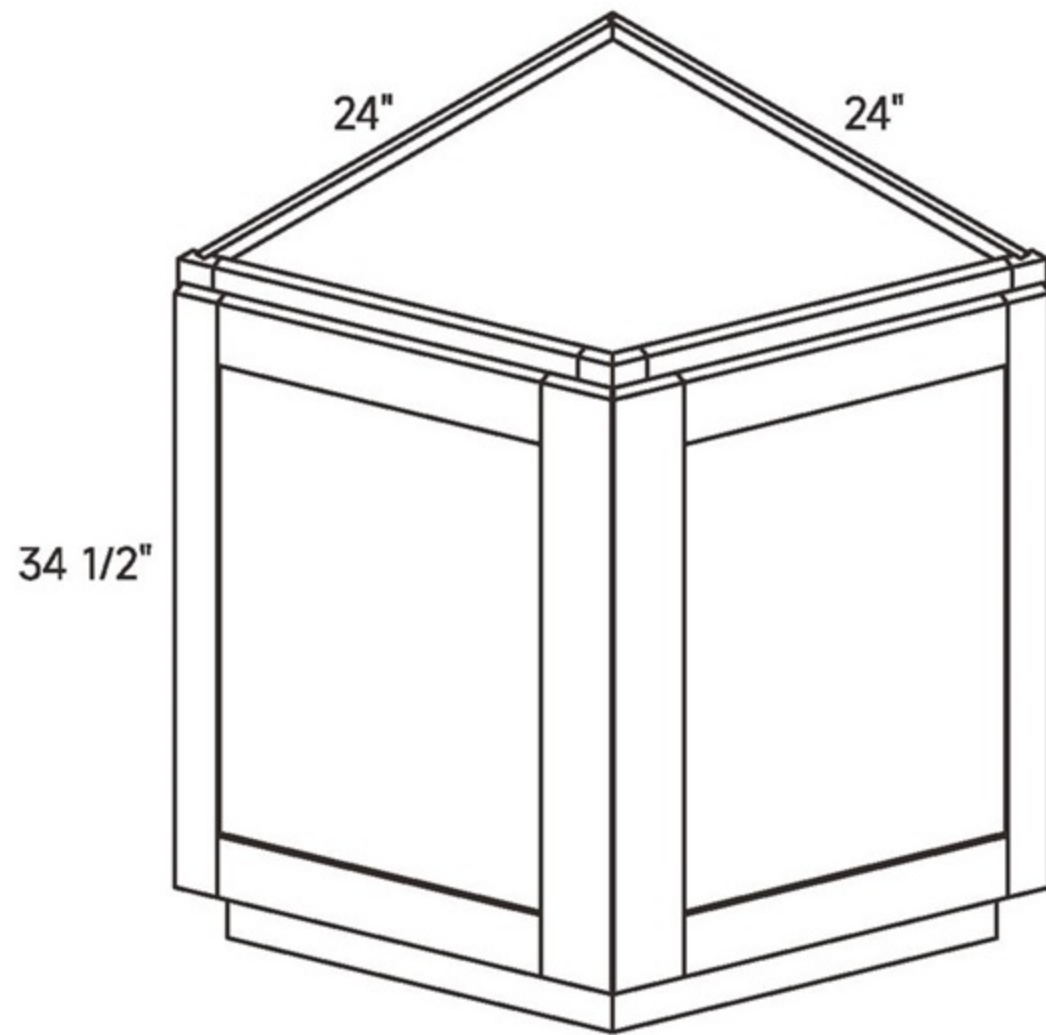


SPECIALTY BASE

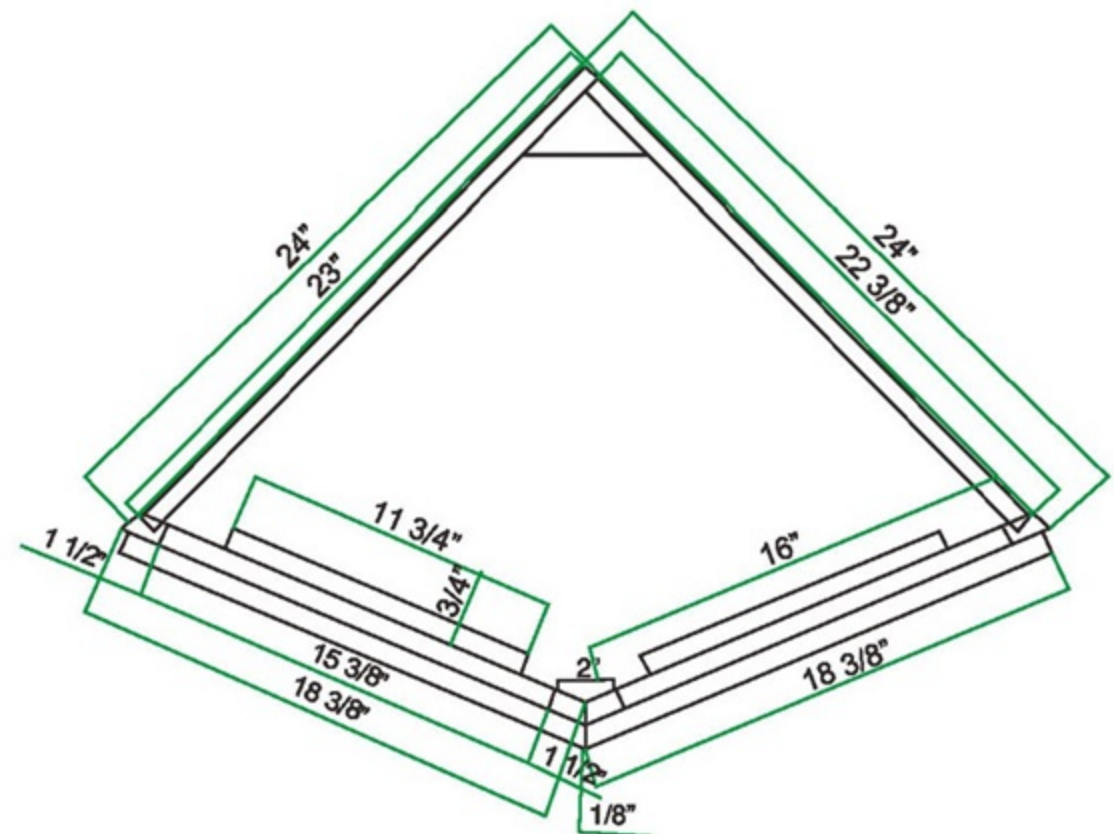
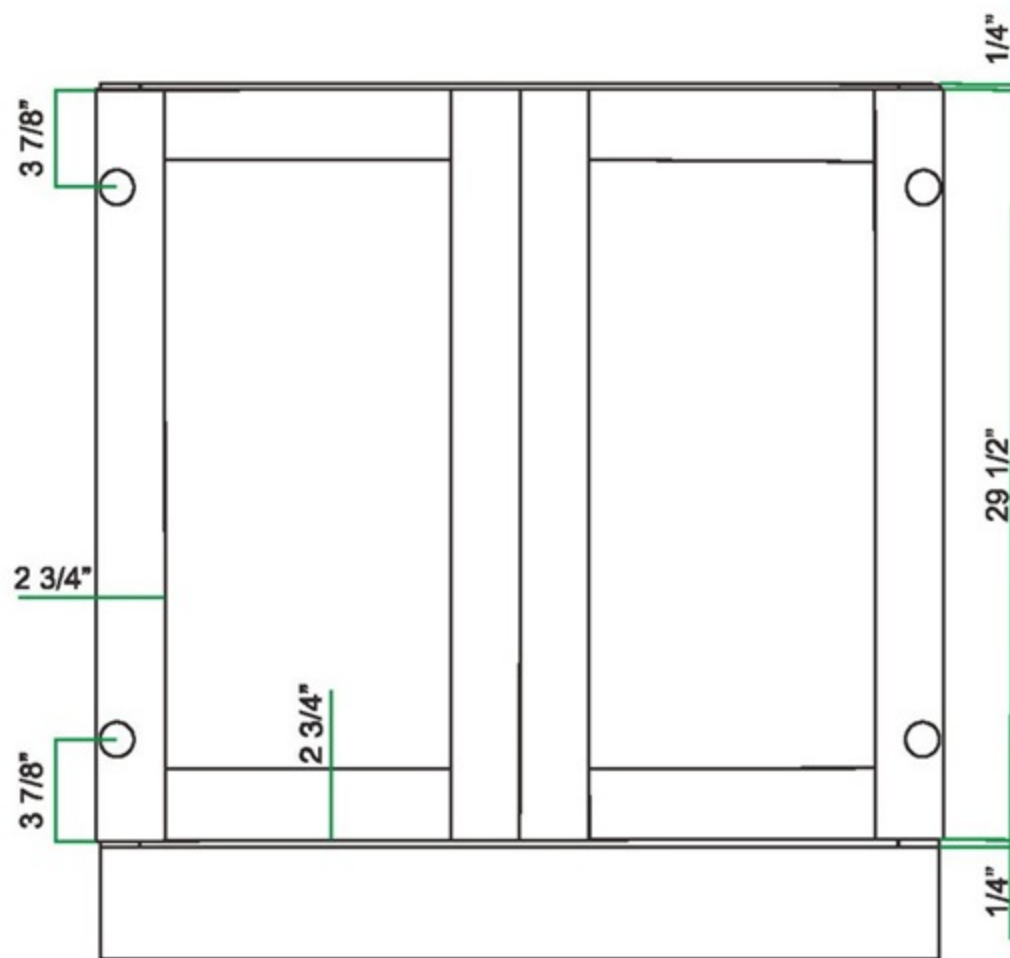
SKU	W	H	D	Door	Shelves	Door Opening		Door	
						Width W2	Height	Width W1	Height
BT12	12	34 1/2	24	1	1	13	27	16	29 1/2



Specialty Base Cabinets End Cabinet



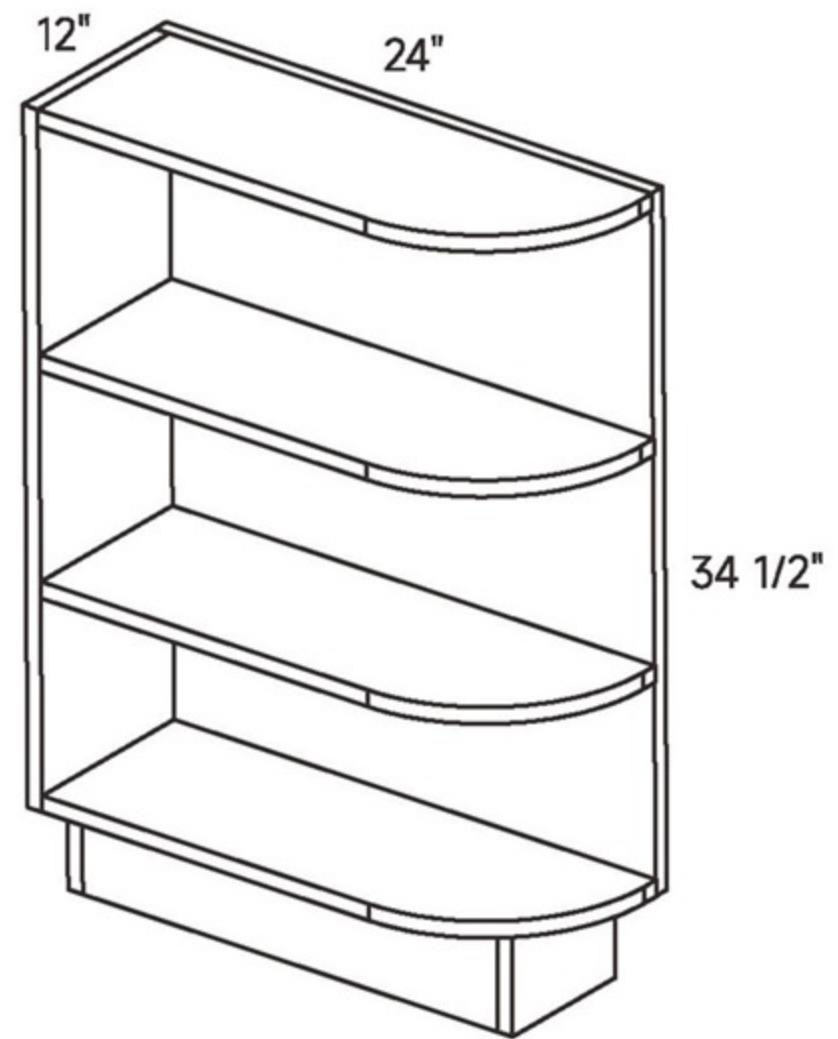
Cabinet Dimensions



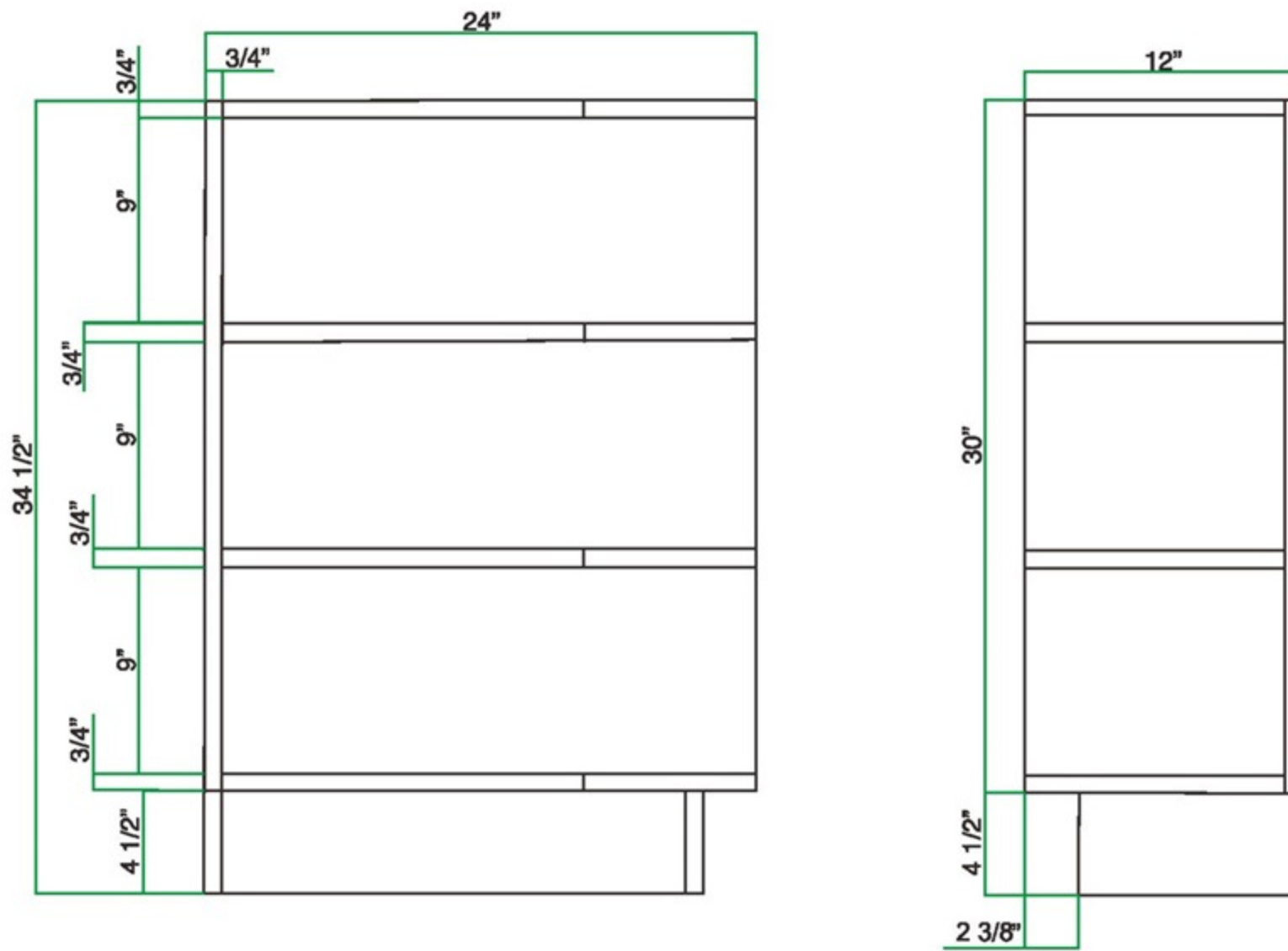
SKU	W	H	D	Door	Shelves	Door Opening		Door	
						Width W2	Height	Width W1	Height
BEC24	24	34 1/2	24	2	1	15 3/8	27	18 3/8	29 1/2

SPECIALTY BASE

Specialty Base Cabinets End Shelf



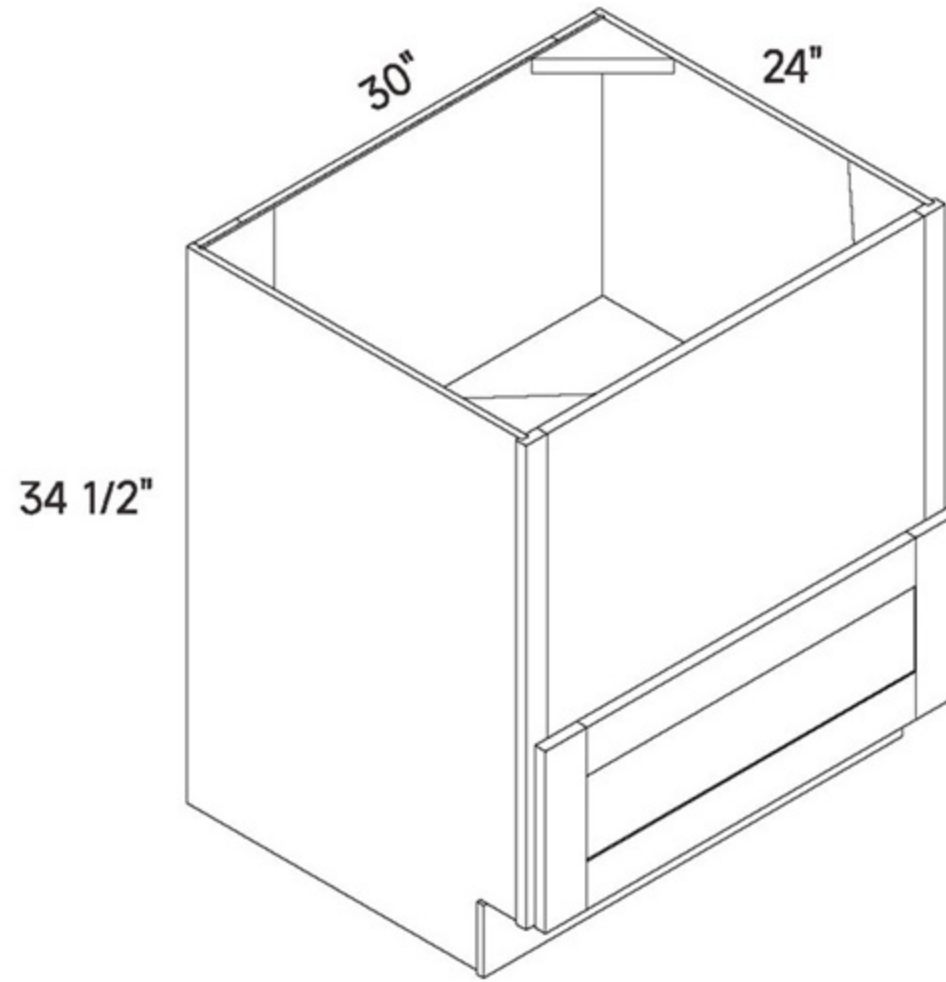
Cabinet Dimensions



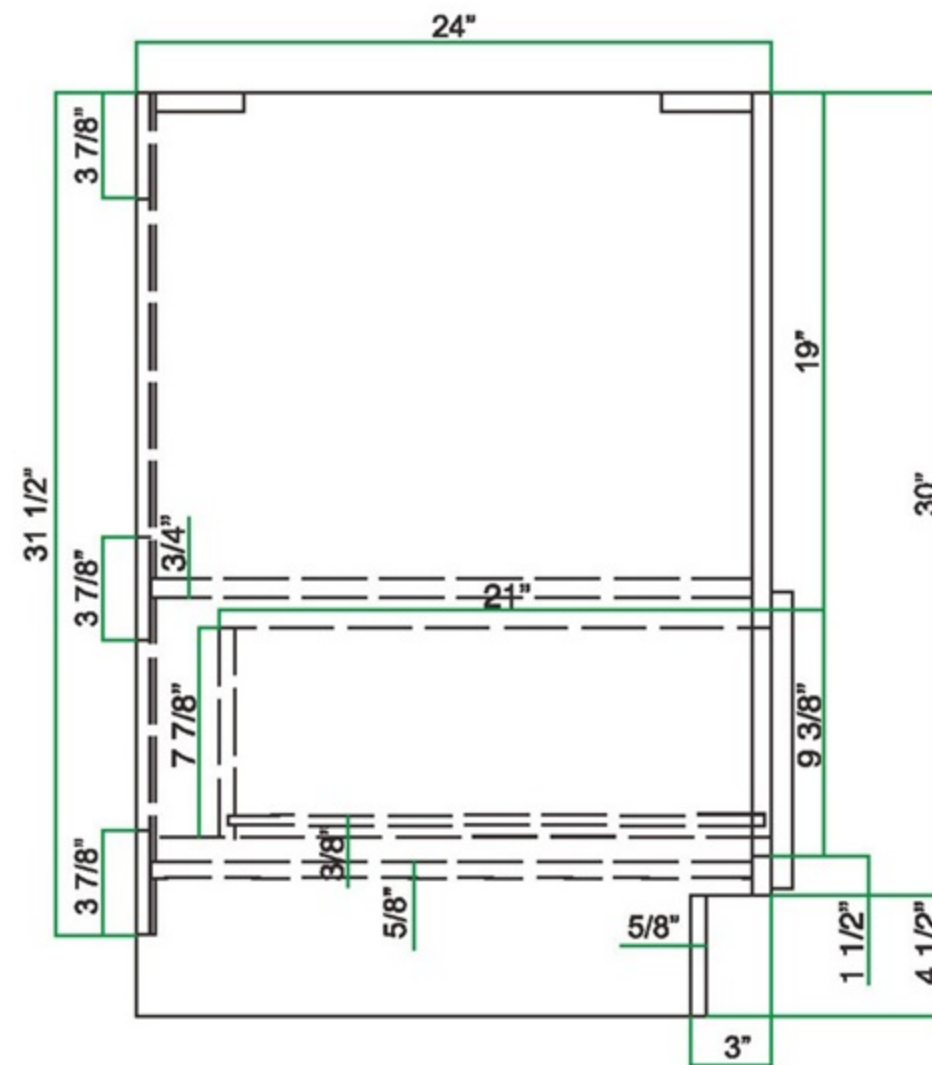
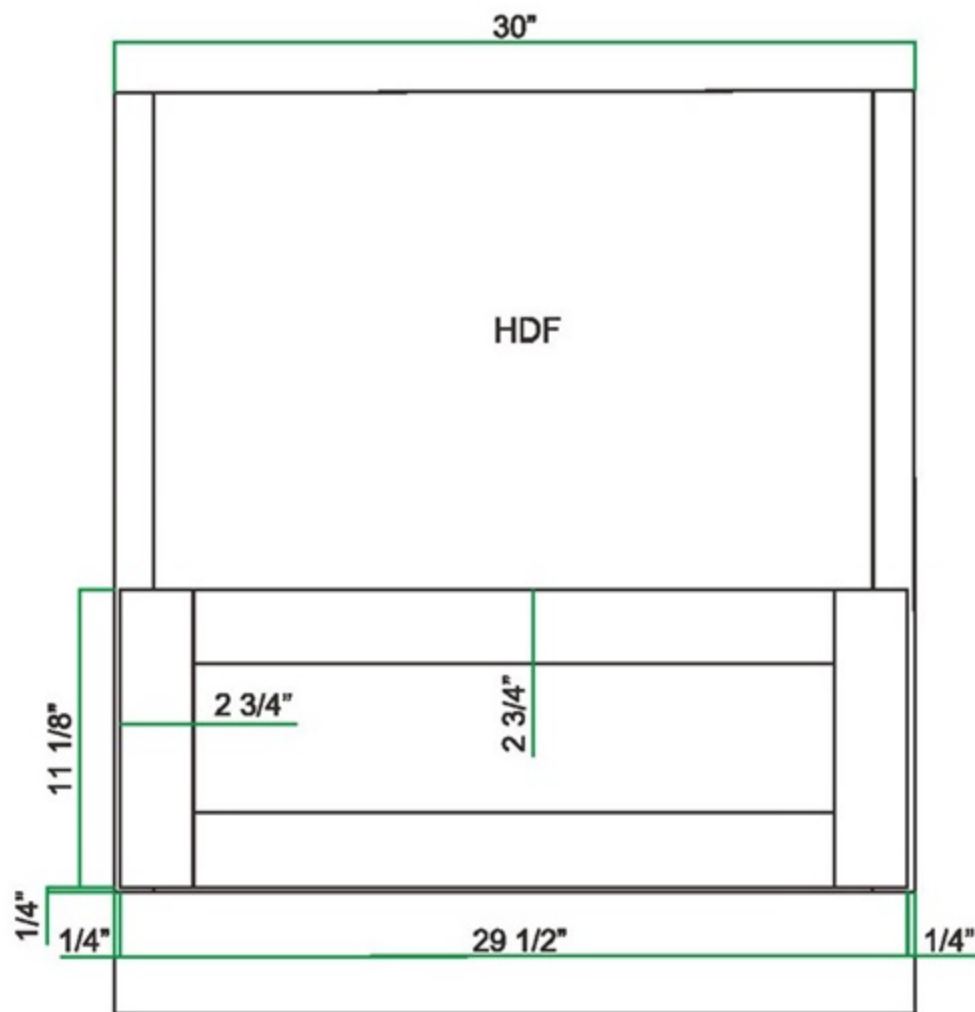
SPECIALTY BASE

SKU	W	I	H	I	D	I	Shelves
BES12	12		34 1/2		24		2

Specialty Base Cabinets Microwave



Cabinet Dimensions



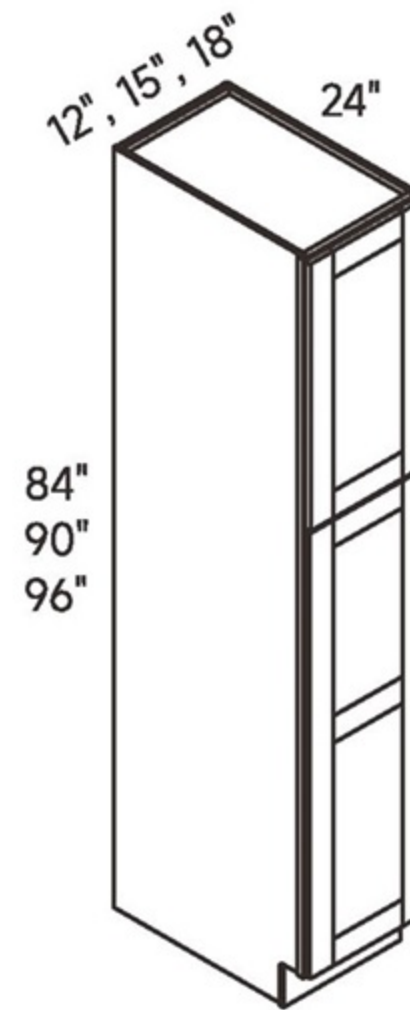
SKU	W	H	D	# of Drawers	Drawer opening		Drawer front size	
					Width	Height 1	Width	Height 1
BMC30	30	34 1/2	24	1	27	9 3/8	29 1/2	11 1/8

Face frame to be trimmed on site,

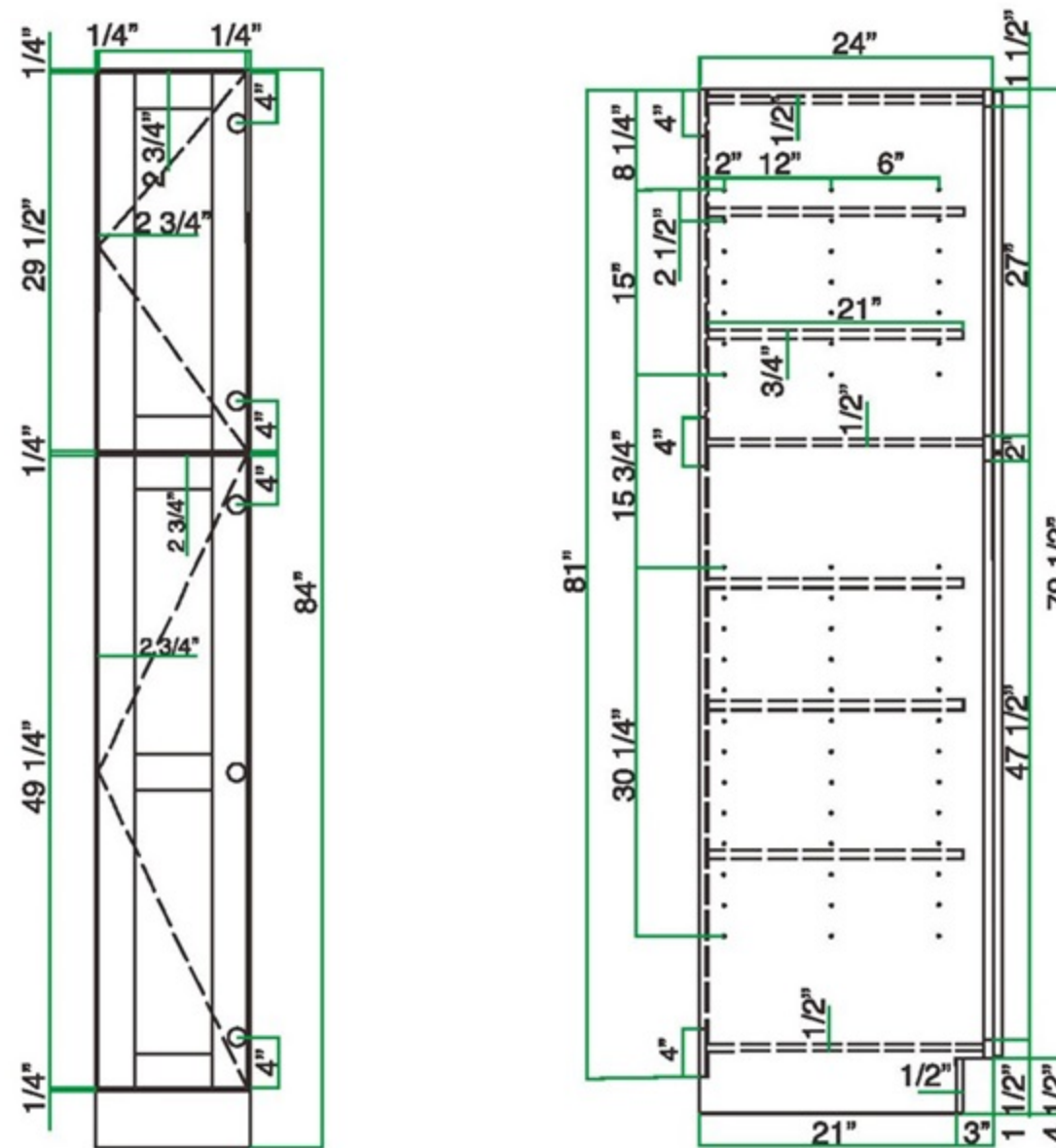
- Maximum cut out width 27"
- Maximum cut out height is 18"

Note: To avoid damage to the frame & side panels, please apply extra care when cutting the front panel.

Tall Pantry Single Door 24" Deep



Cabinet Dimensions



SPECIALTY BASE

SKU	Top Opening		Toop Door		Bottom Opening		Bottom Door						
	W	H	D	Door	Shelves	Width W2	Height	Width W1	Height	Width W2	Height	Width W1	Height
TP128424*	12	84	24	2	5	9	27	11 1/2	29 1/2	9	47 1/2	11 1/2	49 1/4
TP129024*	12	90	24	2	5	9	33	11 1/2	35 1/2	9	47 1/2	11 1/2	49 1/4
TP129624*	12	96	24	2	6	9	39	11 1/2	41 1/2	9	47 1/2	11 1/2	49 1/4
TP158424*	15	84	24	2	5	12	27	14 1/2	29 1/2	12	47 1/2	14 1/2	49 1/4
TP159024*	15	90	24	2	5	12	33	14 1/2	35 1/2	12	47 1/2	14 1/2	49 1/4
TP159624*	15	96	24	2	6	12	39	14 1/2	41 1/2	12	47 1/2	14 1/2	49 1/4
TP188424	18	84	24	2	5	15	27	17 1/2	29 1/2	15	47 1/2	17 1/2	49 1/4
TP189024	18	90	24	2	5	15	33	17 1/2	35 1/2	15	47 1/2	17 1/2	49 1/4
TP189624	18	96	24	2	6	15	39	17 1/2	41 1/2	15	47 1/2	17 1/2	49 1/4

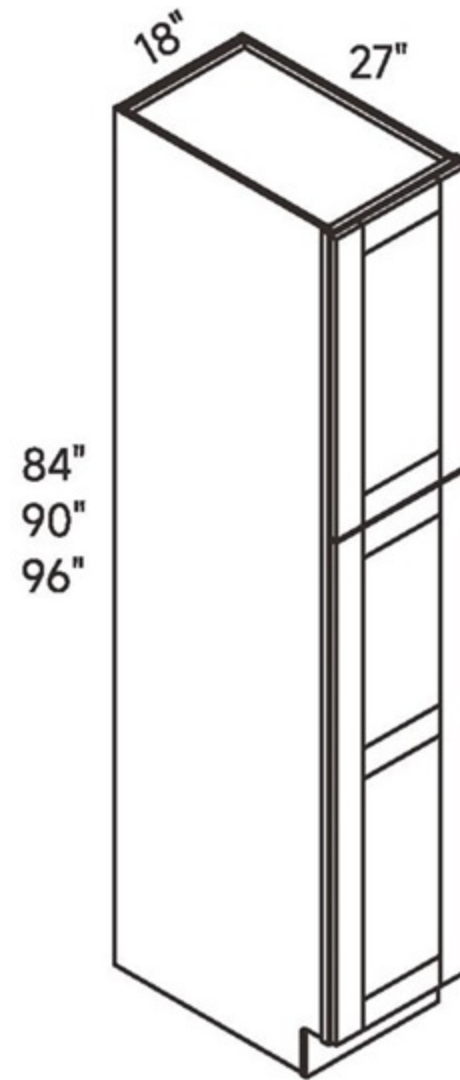
Roll out Drawer available on Page B-130.

*Only available in Stowe White and Stowe Light Gray.

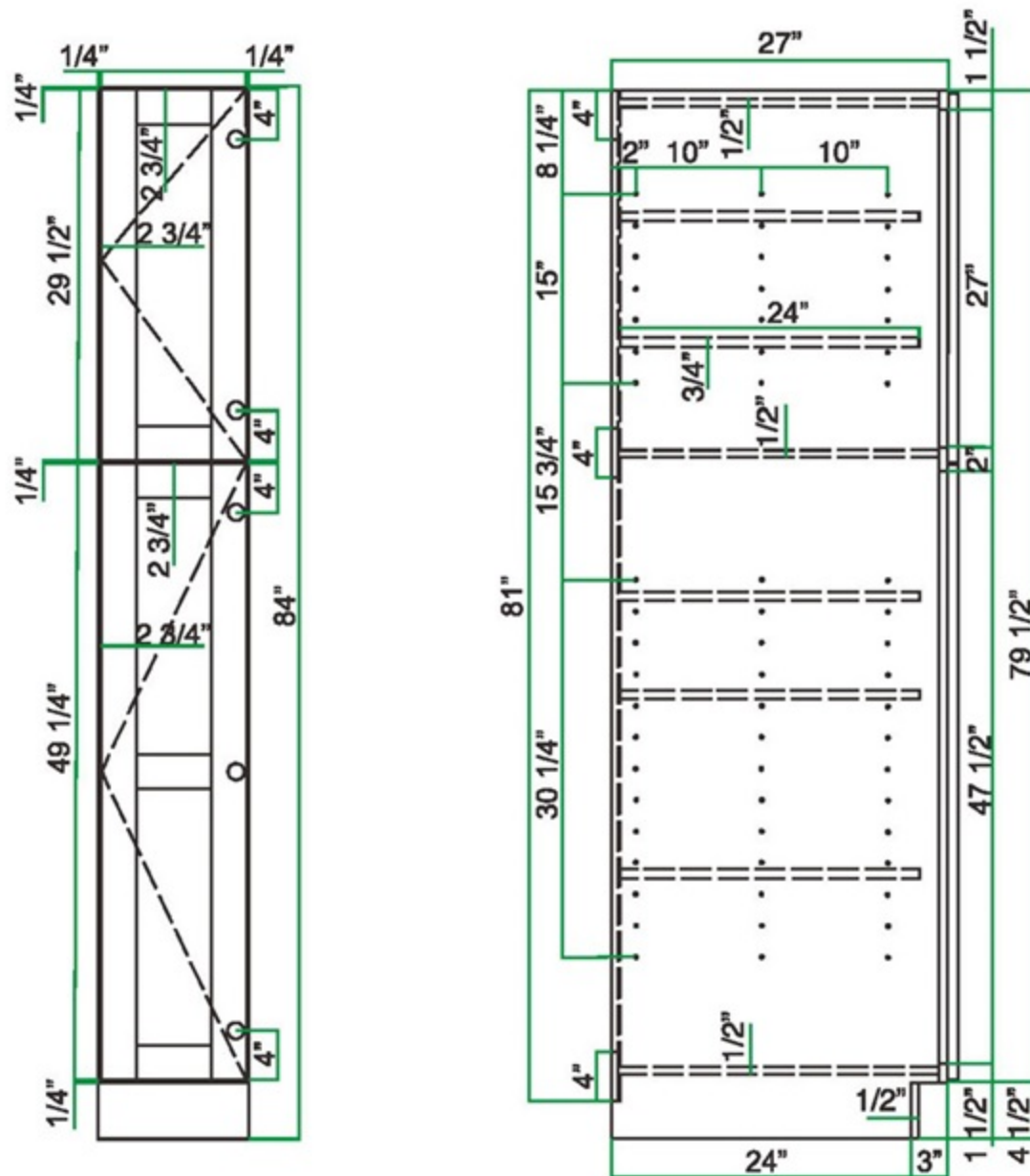
27" Deep pantry require additional lead time.



Tall Pantry Single Door 27" Deep (custom)



Cabinet Dimensions

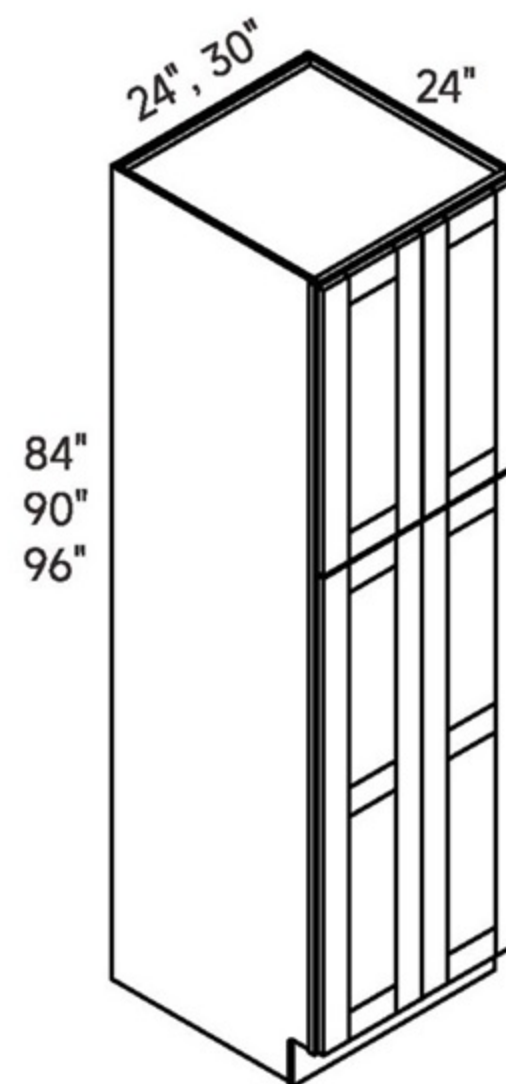


	Top Opening		Top Door		Bottom Opening		Bottom Door	
--	-------------	--	----------	--	----------------	--	-------------	--

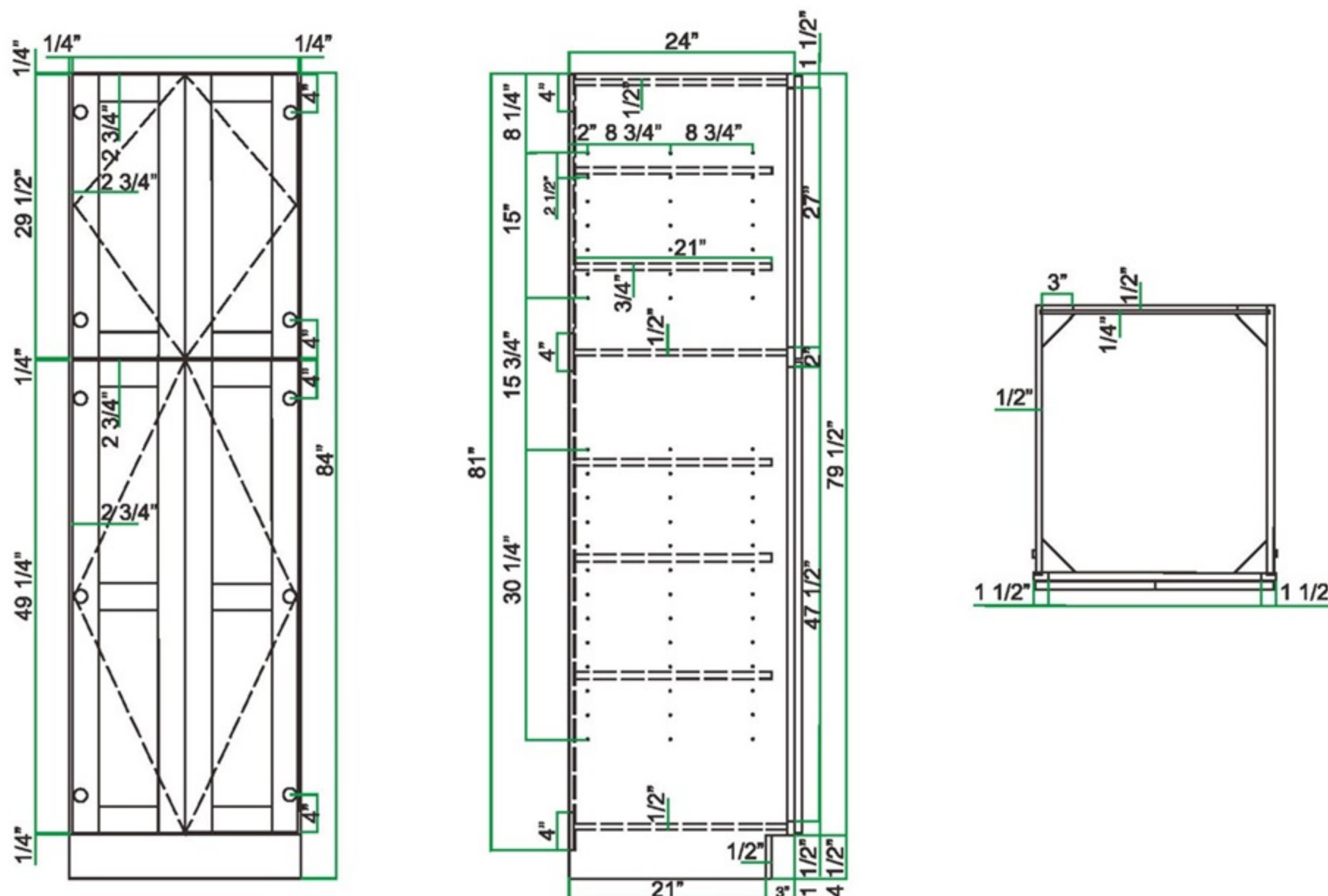
SKU	W	H	D	Door	Shelves	Width W2	Height	Width W1	Height	Width W2	Height	Width W1	Height
TP188427	18	84	27	2	5	15	27	17 1/2	29 1/2	15	47 1/2	17 1/2	49 1/4
TP189027	18	90	27	2	5	15	33	17 1/2	35 1/2	15	47 1/2	17 1/2	49 1/4
TP189627	18	96	27	2	6	15	39	17 1/2	41 1/2	15	47 1/2	17 1/2	49 1/4

Roll out Drawer available on Page B-130.

Tall Pantry Double Door 24" Deep



Cabinet Dimensions



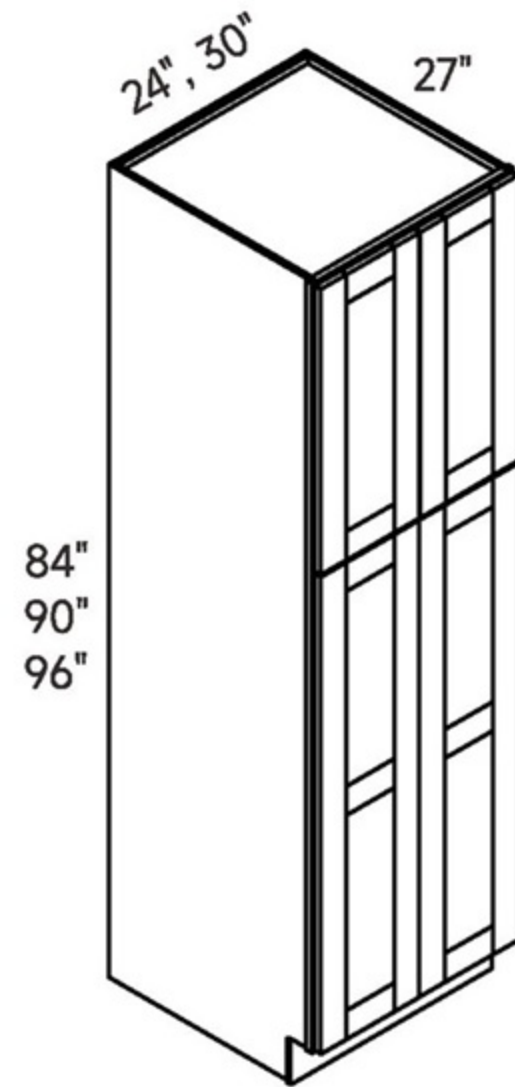
TALL PANTRY

SKU	Top Opening		Toop Door		Bottom Opening		Bottom Door						
	W	H	D	Door	Shelves	Width W2	Height	Width W1	Height	Width W2	Height	Width W1	Height
TP248424	24	84	24	4	5	21	27	11 3/4	29 1/2	21	47 1/2	11 3/4	49 1/4
TP249024	24	90	24	4	5	21	33	11 3/4	35 1/2	21	47 1/2	11 3/4	49 1/4
TP249624	24	96	24	4	6	21	39	11 3/4	41 1/2	21	47 1/2	11 3/4	49 1/4
TP308424	30	84	24	4	5	27	27	14 3/4	29 1/2	27	47 1/2	14 3/4	49 1/4
TP309024	30	90	24	4	5	27	33	14 3/4	35 1/2	27	47 1/2	14 3/4	49 1/4
TP309624	30	96	24	4	6	27	39	14 3/4	41 1/2	27	47 1/2	14 3/4	49 1/4

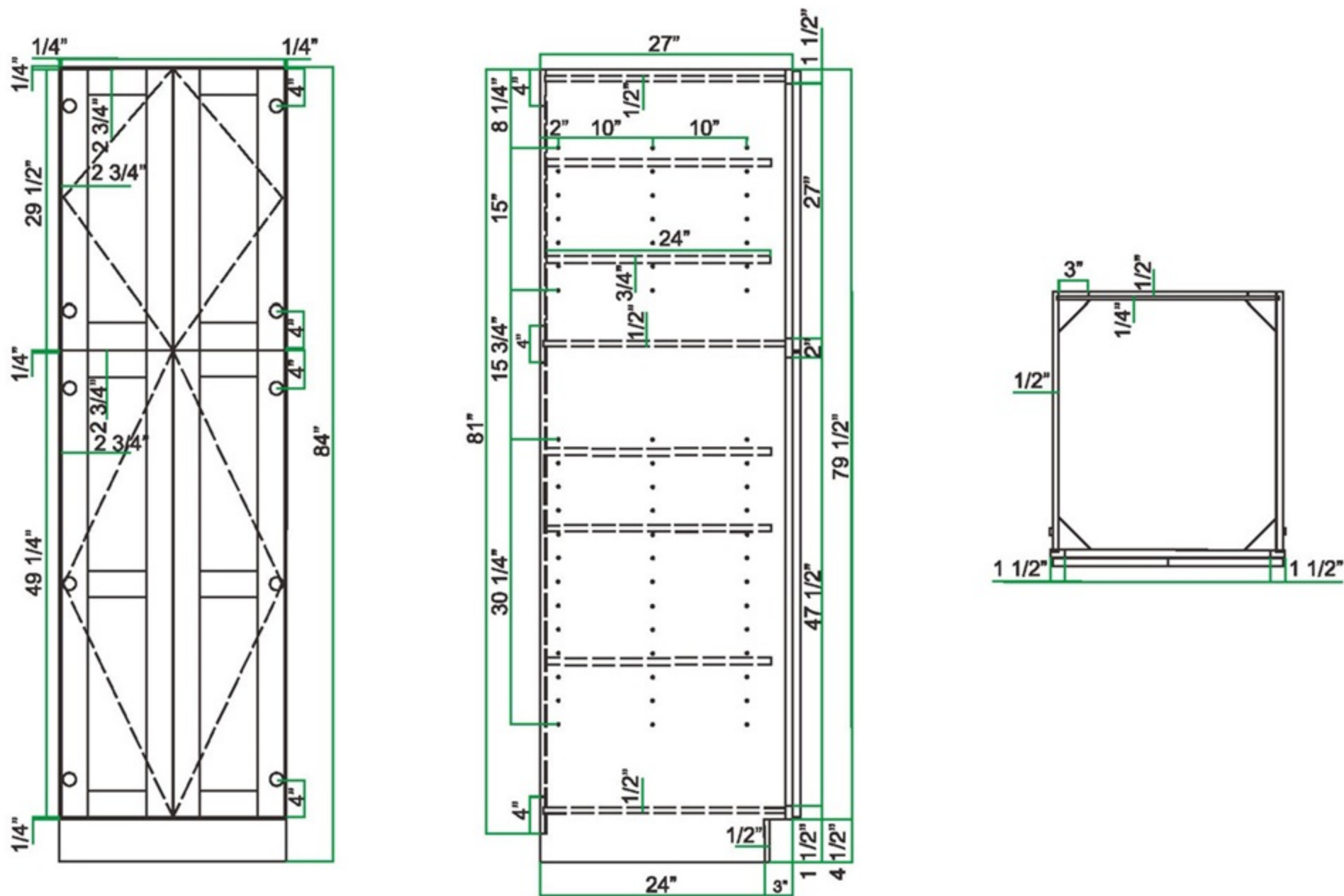
Roll out Drawer available on Page B-130.
27" Deep pantry require additional lead time.



Tall Pantry Double Door 27" Deep (custom)



Cabinet Dimensions



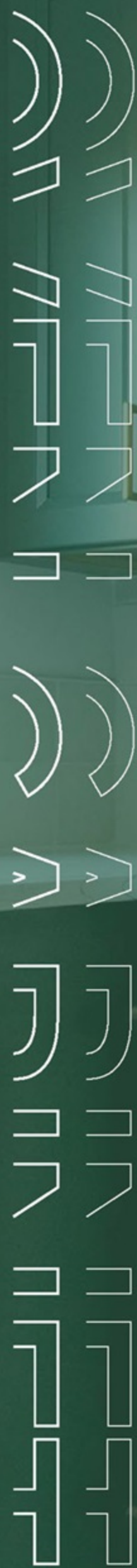
	Top Opening	Top Door	Bottom Opening	Bottom Door
--	-------------	----------	----------------	-------------

SKU	W	H	D	Door	Shelves	Width W2	Height	Width W1	Height	Width W2	Height	Width W1	Height
TP248427	24	84	27	4	5	21	27	11 3/4	29 1/2	21	47 1/2	11 3/4	49 1/4
TP249027	24	90	27	4	5	21	33	11 3/4	35 1/2	21	47 1/2	11 3/4	49 1/4
TP249627	24	96	27	4	6	21	39	11 3/4	41 1/2	21	47 1/2	11 3/4	49 1/4
TP308427	30	84	27	4	5	27	27	14 3/4	29 1/2	27	47 1/2	14 3/4	49 1/4
TP309027	30	90	27	4	5	27	33	14 3/4	35 1/2	27	47 1/2	14 3/4	49 1/4
TP309627	30	96	27	4	6	27	39	14 3/4	41 1/2	27	47 1/2	14 3/4	49 1/4

Roll out Drawer available on Page B-130.

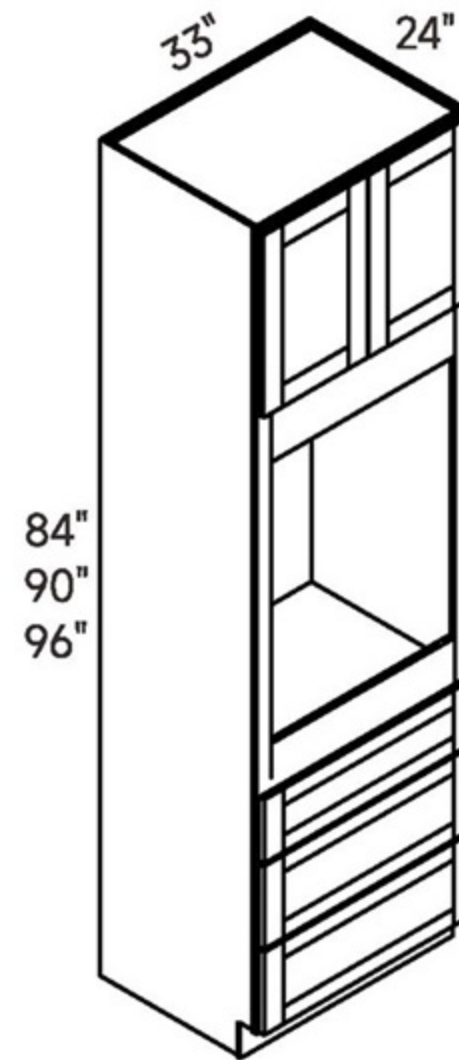


OVEN CABINET

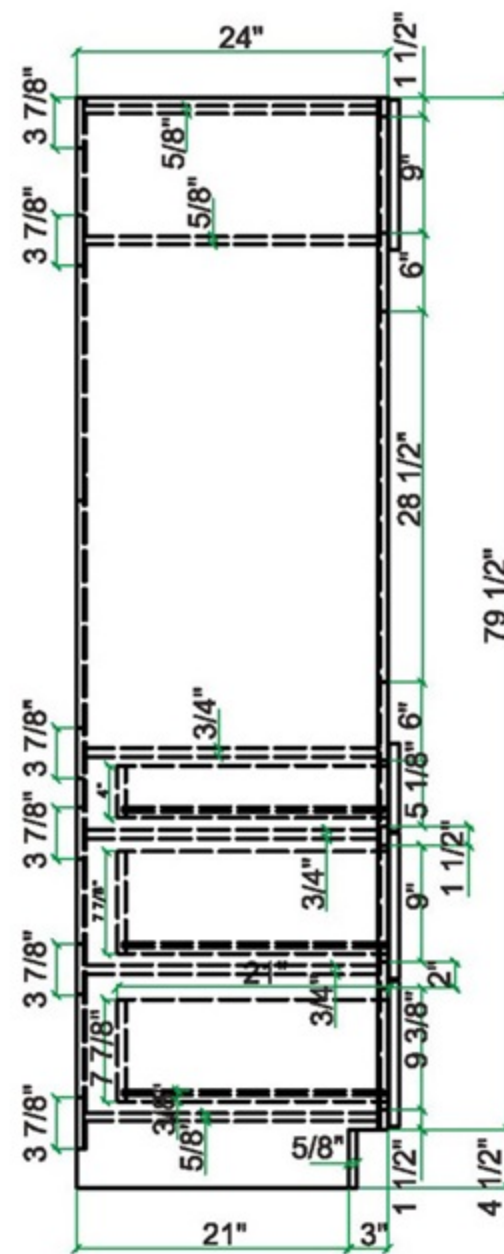
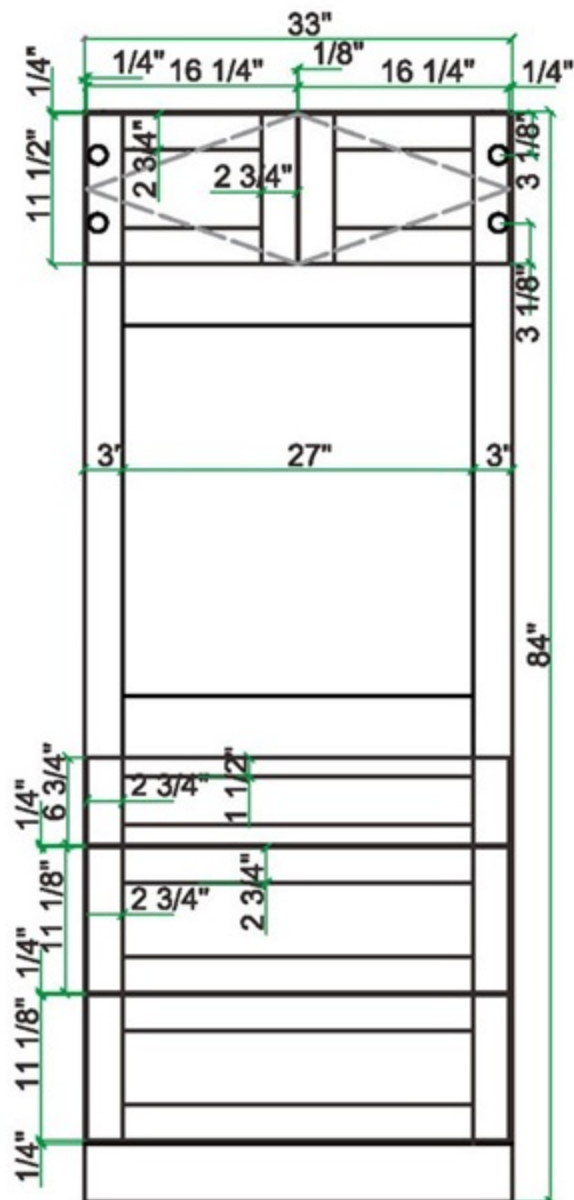


802
CABINETRY

Oven Cabinet Single Oven Application 24" Deep



Cabinet Dimensions



OVEN CABINET

SKU	Door Opening			Door		Drawer opening			Drawer front size									
	W	H	D	Door	Shelves	Width W2	Height	Width W1	Height	Width	Height 1	Height 2	Height 3	Width	Height 1	Height 2	Height 3	
OC338424	33	84	24	2	3	0	30	9	16 1/4	11 1/2	27	5	9	9 1/2	32 1/2	6 3/4	11 1/4	11 1/4
OC339024	33	90	24	2	3	0	30	15	16 1/4	17 1/2	27	5	9	9 1/2	32 1/2	6 3/4	11 1/4	11 1/4
OC339624	33	96	24	2	3	1	30	21	16 1/4	23 1/2	27	5	9	9 1/2	32 1/2	6 3/4	11 1/4	11 1/4

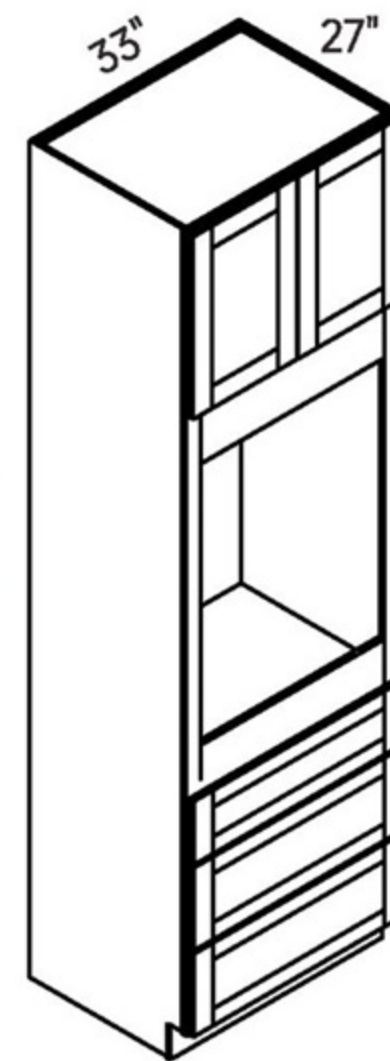
Frame cut-out to be trimmed on site to fit Appliance (not by 802 Cabinetry)

Maximum cut out width 31"

Maximum cut out height 37"

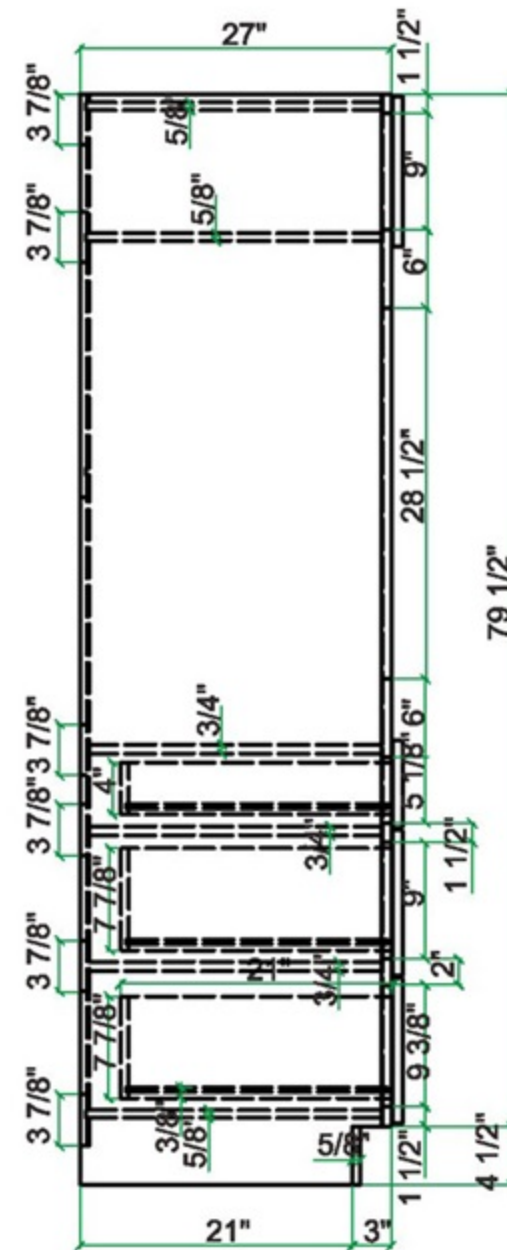
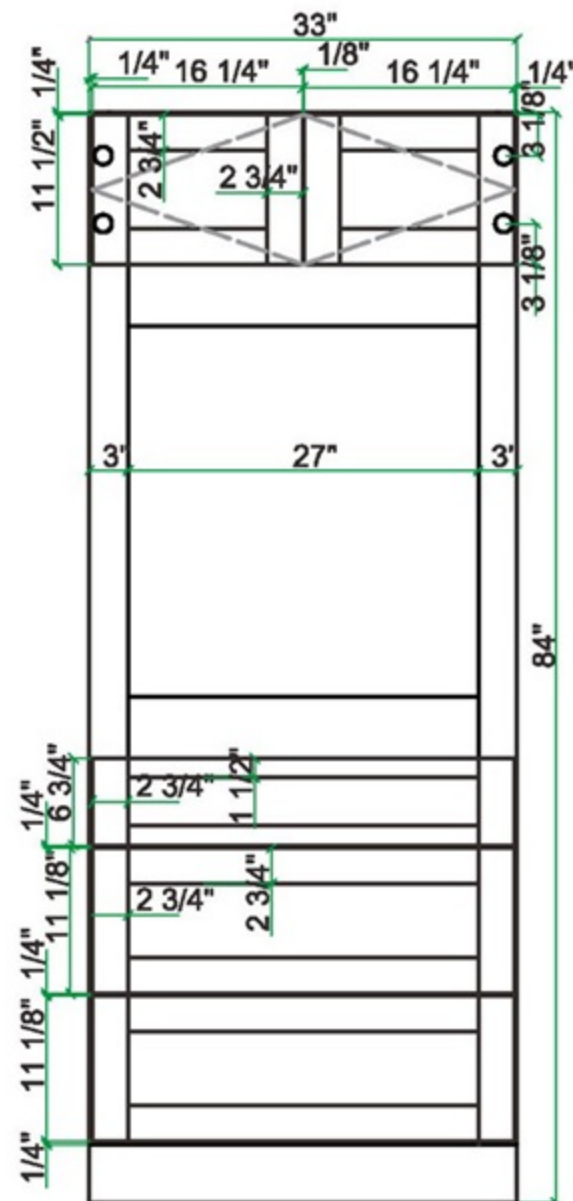
To avoid damage to the frame & side panels, Please apply extra care when cutting the front panel.

Oven Cabinet Single Oven Application 27" Deep



84"
90"
96"

Cabinet Dimensions



OVEN CABINET

SKU	Door Opening			Door		Drawer opening				Drawer front size								
	W	H	D	Door	DRAWERS	Shelves	Width W2	Height	Width W1	Height	Width	Height 1	Height 2	Height 3	Width	Height 1	Height 2	Height 3
OC338427	33	84	27	2	3	0	30	9	16 1/4	11 1/2	27	5	9	9 1/2	32 1/2	6 3/4	11 1/4	11 1/4
OC339027	33	90	27	2	3	0	30	15	16 1/4	17 1/2	27	5	9	9 1/2	32 1/2	6 3/4	11 1/4	11 1/4
OC339627	33	96	27	2	3	1	30	21	16 1/4	23 1/2	27	5	9	9 1/2	32 1/2	6 3/4	11 1/4	11 1/4

Frame cut-out to be trimmed on site to fit Appliance (not by 802 Cabinetry)

Maximum cut out width 31"

Maximum cut out height 37"

To avoid damage to the frame & side panels, Please apply extra care when cutting the front panel.



OVEN CABINET SINGLE WITH 3 DRAWERS

ITEM

OC338427

OC339027

* OC339627

- * Has one shelf in top cabinet.
- 3" Wide rails face frame to be trimmed on site

When using a Single Oven:

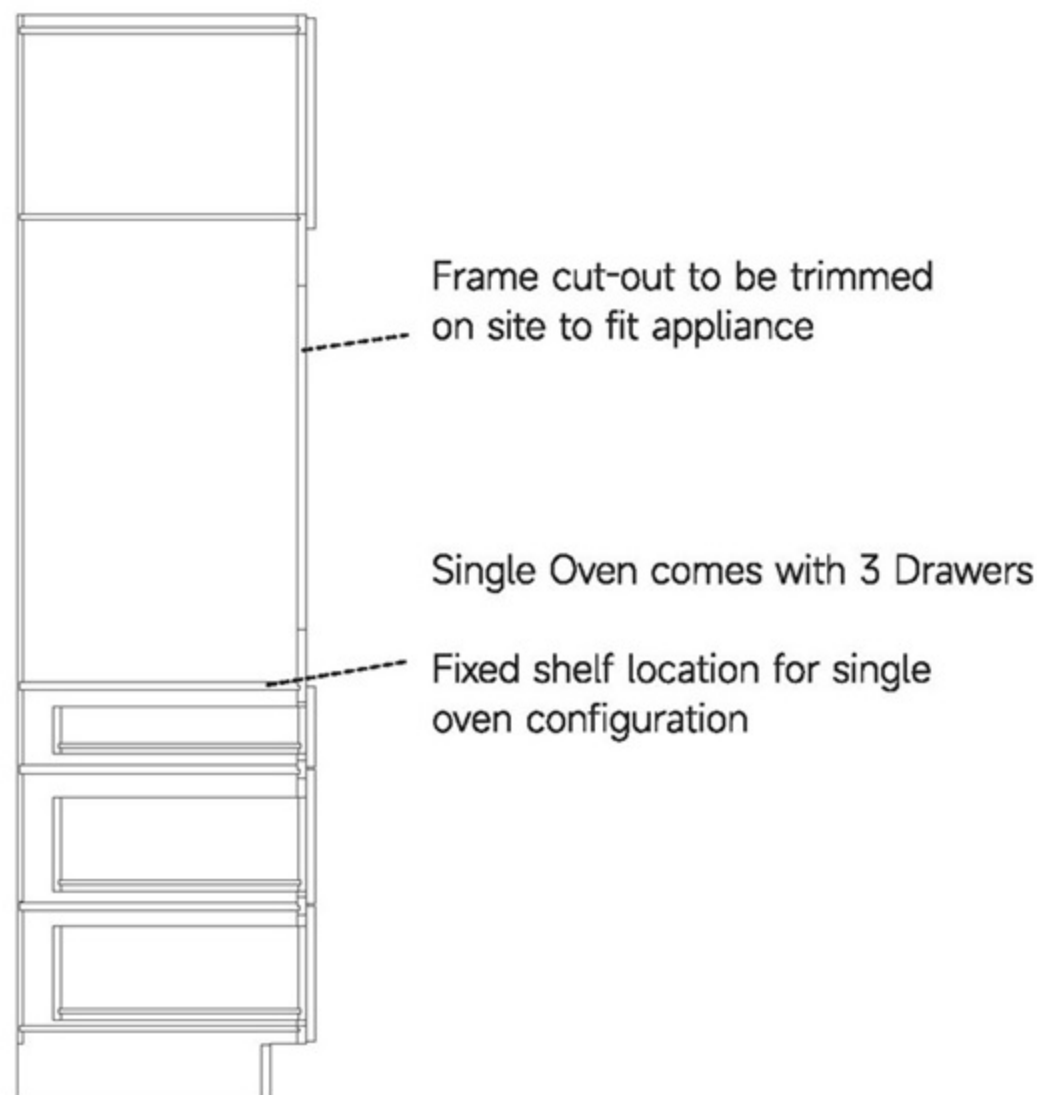
- Wide rails face frame to be trimmed on site
- Minimum width opening 27"
- Maximum cut out width 31"
- Minimum height opening 28 ½"
- Maximum cut out height is 37"
- Maximum overall oven height 37 ½"

Full panel face frame to be trimmed on site (not by 802 Cabinetry).

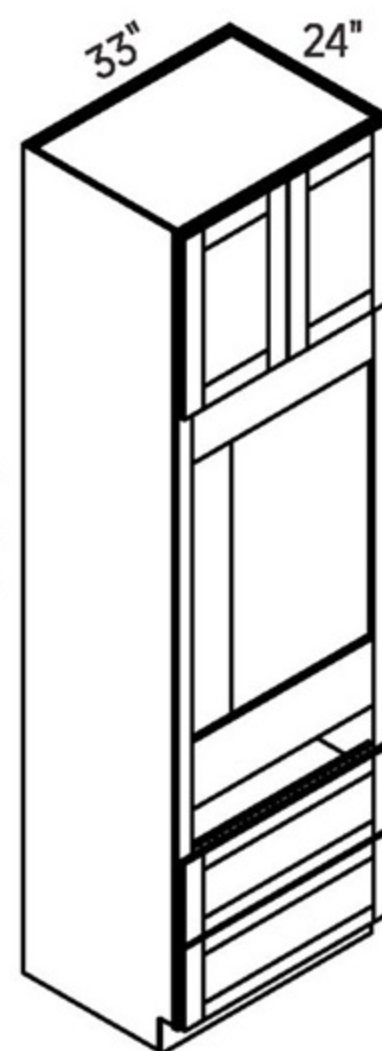
Note: To avoid damage to the frame & side panels, please apply extra care when cutting the front panel.

SPECIFICATION FOR OVEN CABINET

Tall Oven Cabinets come with single fixed shelf above top drawer.
Fixed shelf will be located above the uppermost drawer; location is based on the selected configurations: Single
Frame is to be trimmed on site to accommodate configuration & appliance needs

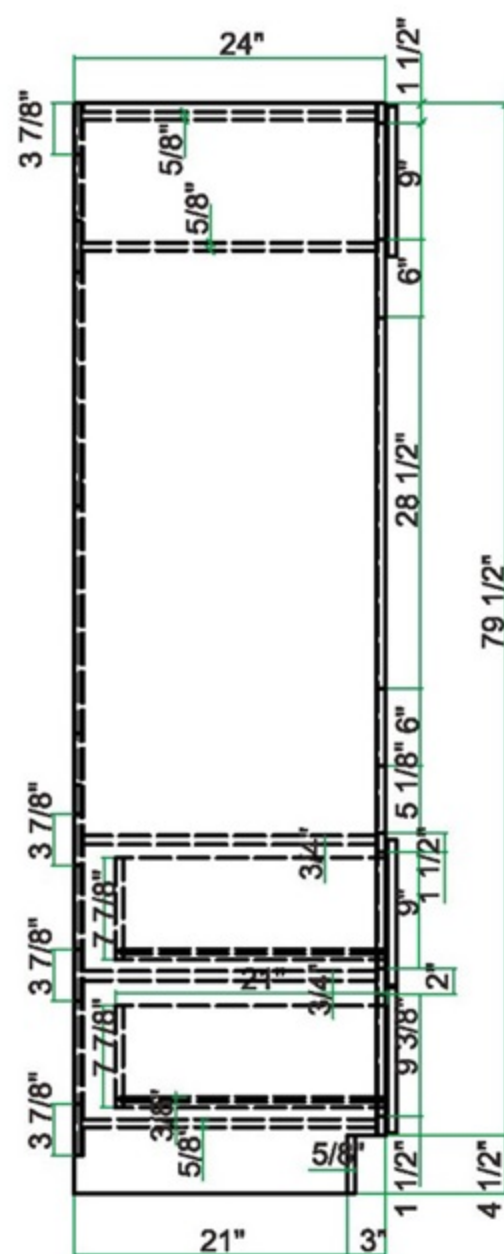
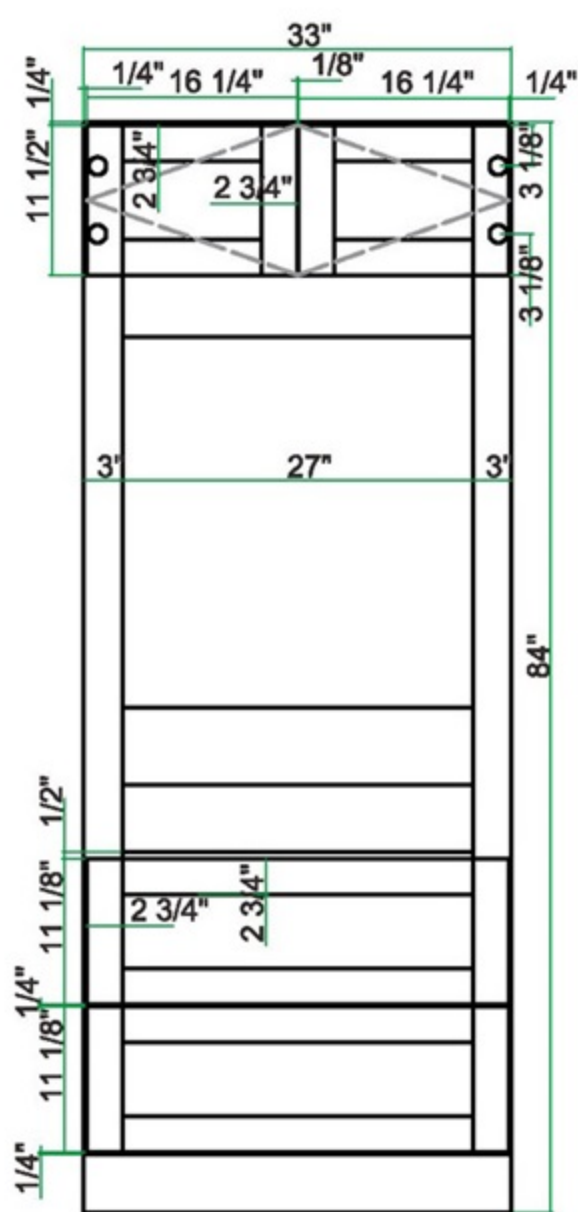


Oven Cabinet Oven and Microwave Combo Application 24" Deep



84"
90"
96"

Cabinet Dimensions



SKU	Door Opening			Door		Drawer Opening			Drawer front size							
	W	H	D	Door	DRAWERS	Shelves	Width W2	Height	Width W1	Height	Width	Height 1	Height 2	Width	Height 1	Height 2
OC338424C	33	84	24	2	2	0	30	9	16 1/4	11 1/2	27	9	9 1/2	32 1/2	11 1/4	11 1/4
OC339024C	33	90	24	2	2	0	30	15	16 1/4	17 1/2	27	9	9 1/2	32 1/2	11 1/4	11 1/4
OC339624C	33	96	24	2	2	1	30	21	16 1/4	23 1/2	27	9	9 1/2	32 1/2	11 1/4	11 1/4

Frame cut-out to be trimmed on site to fit Appliance (not by 802 Cabinetry)

Maximum cut out width 31"

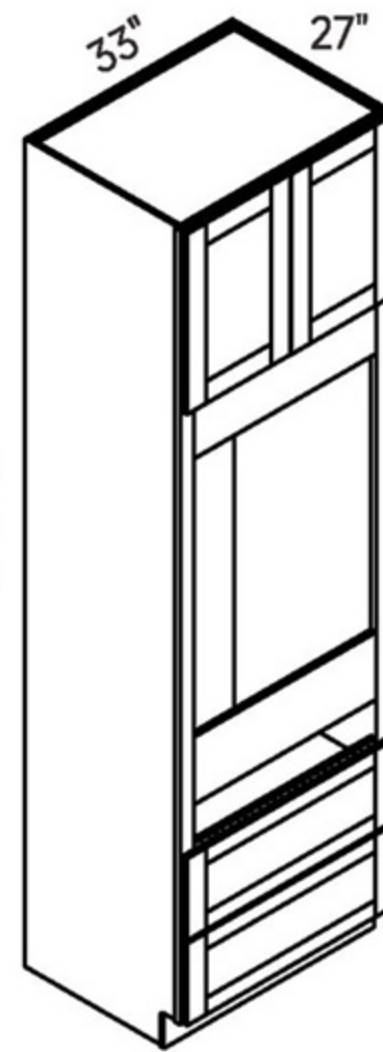
Maximum cut out height 44"

To avoid damage to the frame & side panels, Please apply extra care when cutting the front panel.

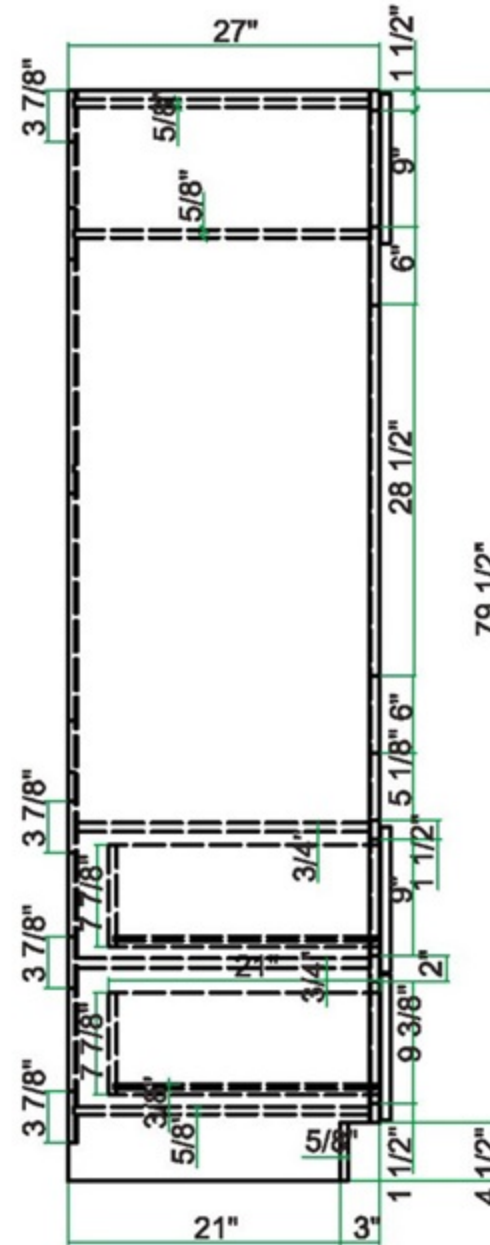
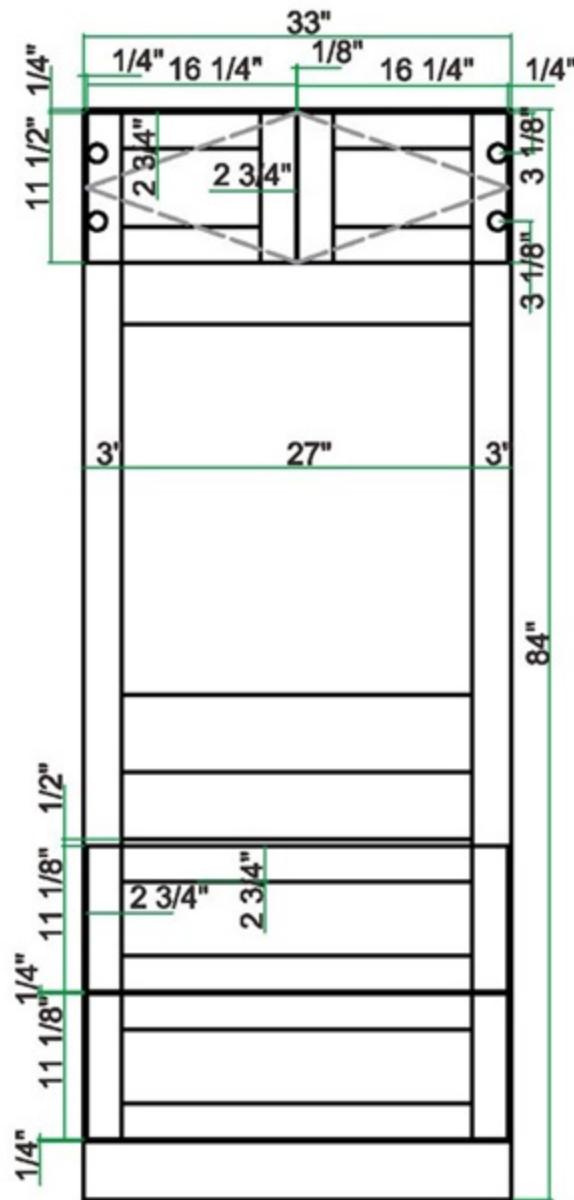
OVEN CABINET



Oven Cabinet Oven and Microwave Combo Application 27" Deep



Cabinet Dimensions



OVEN CABINET

	Door Opening		Door		Drawer Opening			Drawer front size		
--	--------------	--	------	--	----------------	--	--	-------------------	--	--

SKU	W	H	D	Door	DRAWERS	Shelves	Width W2	Height	Width W1	Height	Width	Height 1	Height 2	Width	Height 1	Height 2
OC338427C	33	84	27	2	2	0	30	9	16 1/4	11 1/2	27	9	9 1/2	32 1/2	11 1/4	11 1/4
OC339027C	33	90	27	2	2	0	30	15	16 1/4	17 1/2	27	9	9 1/2	32 1/2	11 1/4	11 1/4
OC339627C	33	96	27	2	2	1	30	21	16 1/4	23 1/2	27	9	9 1/2	32 1/2	11 1/4	11 1/4

Frame cut-out to be trimmed on site to fit Appliance (not by 802 Cabinetry)

Maximum cut out width 31"

Maximum cut out height 44"

To avoid damage to the frame & side panels, Please apply extra care when cutting the front panel.



OVEN CABINET SINGLE WITH 3 DRAWERS

ITEM

OC338424C

OC339024C

* OC339624C

- * Has one shelf in top cabinet.
- 3" Wide rails face frame to be trimmed on site

When using a Combo Oven:

- Wide rails face frame to be trimmed on site
- Minimum width opening 27"
- Maximum cut out width 31"
- Minimum cut out height 39 3/8"
- Maximum cut out height is 44"
- Maximum overall oven height 44 5/8"

When using two appliances:

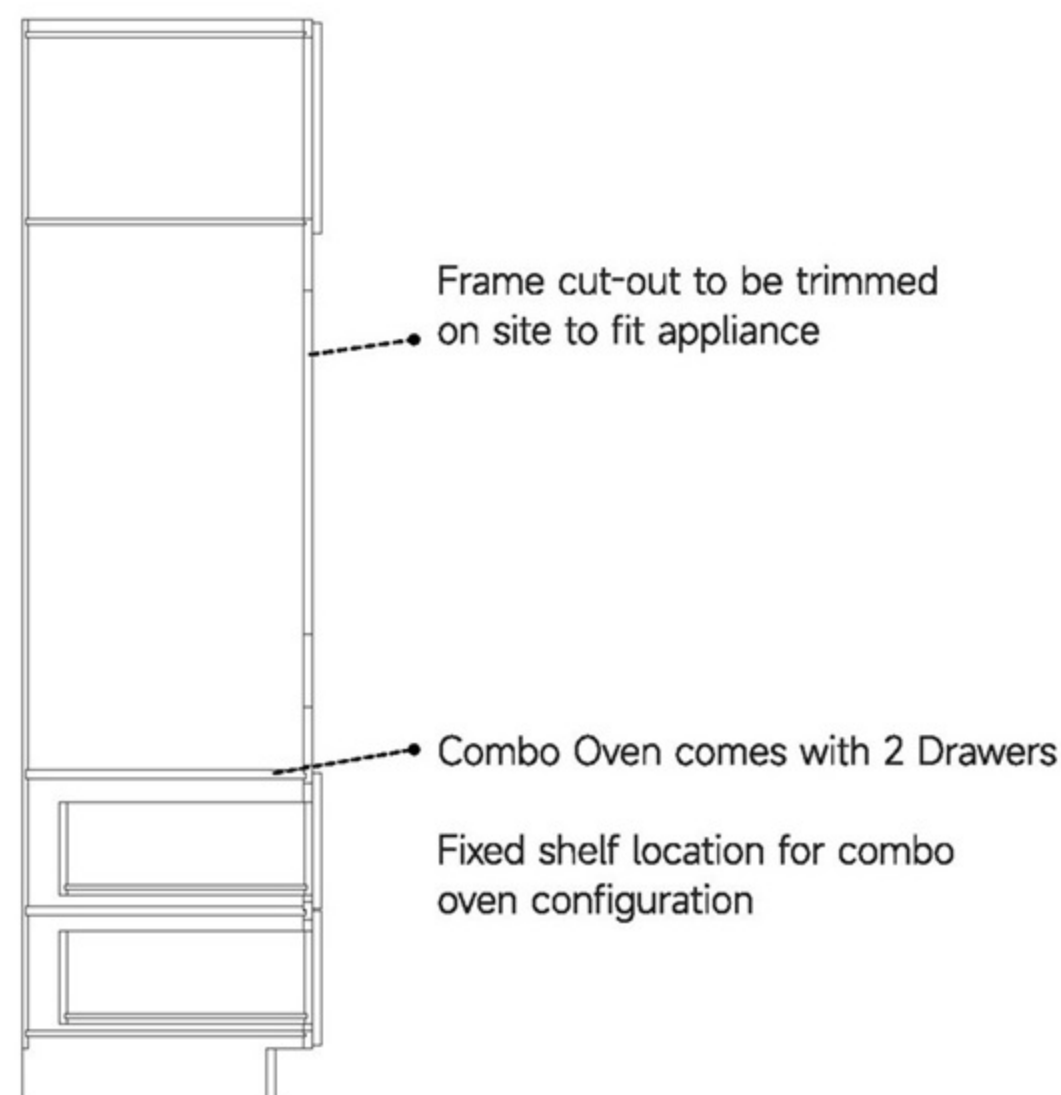
You will need to insert a filler and fixed shelf to support top appliance. Filler and shelf to be purchased separately

Full panel face frame to be trimmed on site (not by 802 Cabinetry).

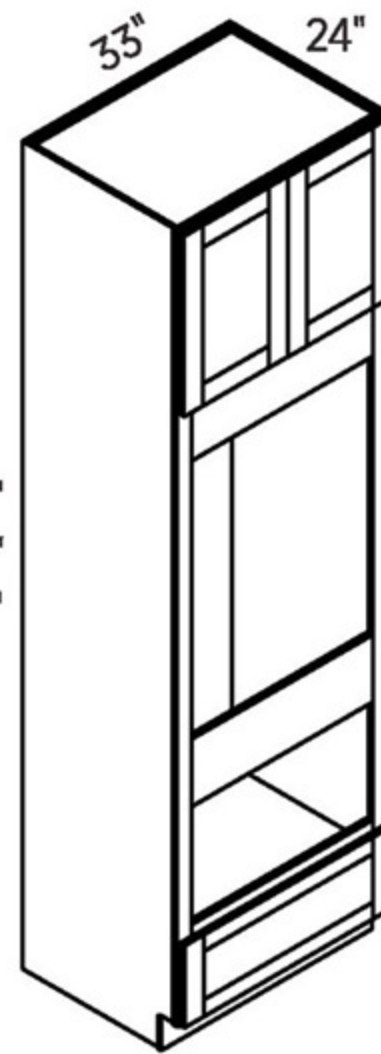
Note: To avoid damage to the frame & side panels, please apply extra care when cutting the front panel.

SPECIFICATION FOR OVEN CABINET

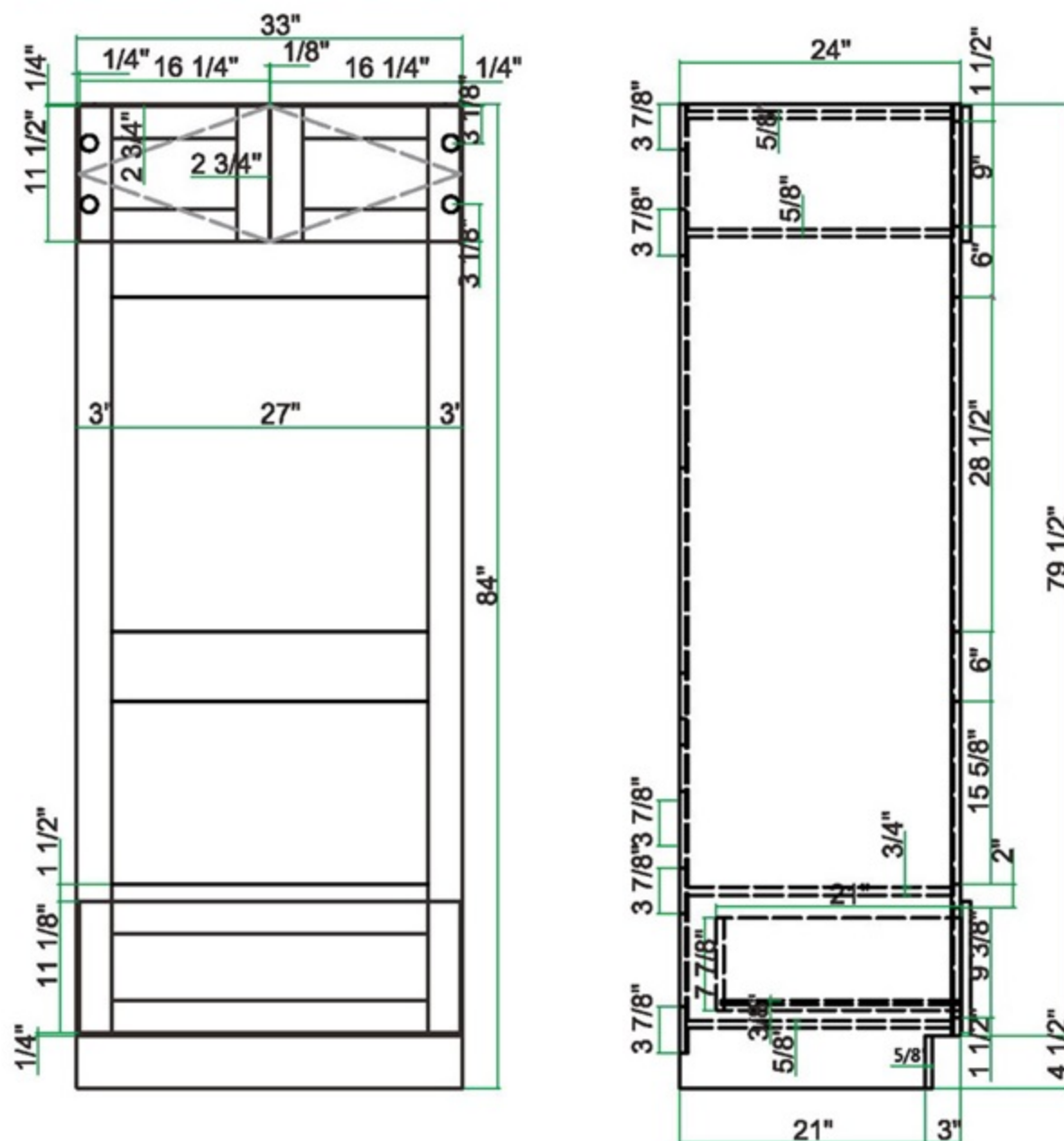
Tall Oven Cabinets come with single fixed shelf above top drawer. Fixed shelf will be located above the uppermost drawer; location is based on the selected configurations: Combo
Frame is to be trimmed on site to accommodate configuration & appliance needs.



Oven Cabinet Double Oven Application 24" Deep



Cabinet Dimensions



OVEN CABINET

SKU	Door Opening		Door		Drawer Opening		Drawer front size							
	W	H	W	H	W	H	W	H						
OC338424D	33	84	24	2	1	0	30	9	16 1/4	11 1/2	27	9 1/2	32 1/2	11 1/4
OC339024D	33	90	24	2	1	0	30	15	16 1/4	17 1/2	27	9 1/2	32 1/2	11 1/4
OC339624D	33	96	24	2	1	1	30	21	16 1/4	23 1/2	27	9 1/2	32 1/2	11 1/4

Frame cut-out to be trimmed on site to fit Appliance (not by 802 Cabinetry)

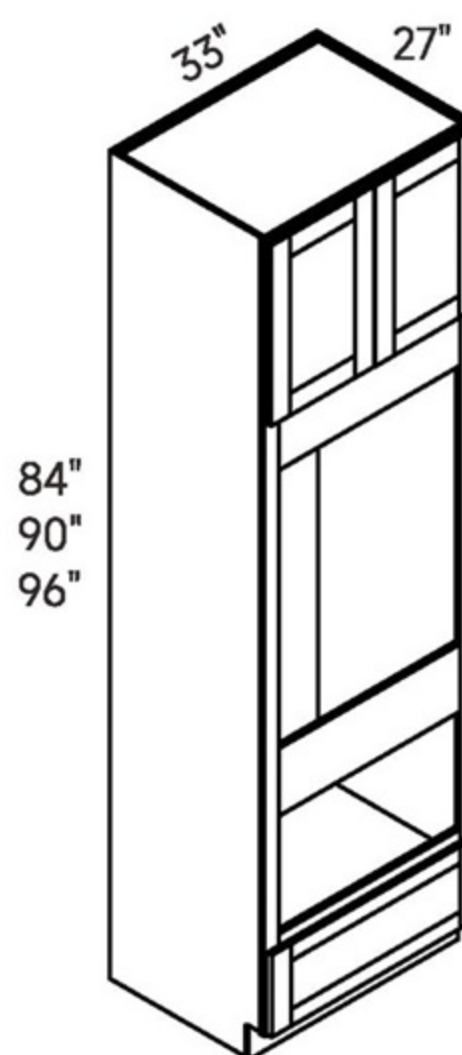
Maximum cut out width 31"

Maximum cut out height 55 1/2"

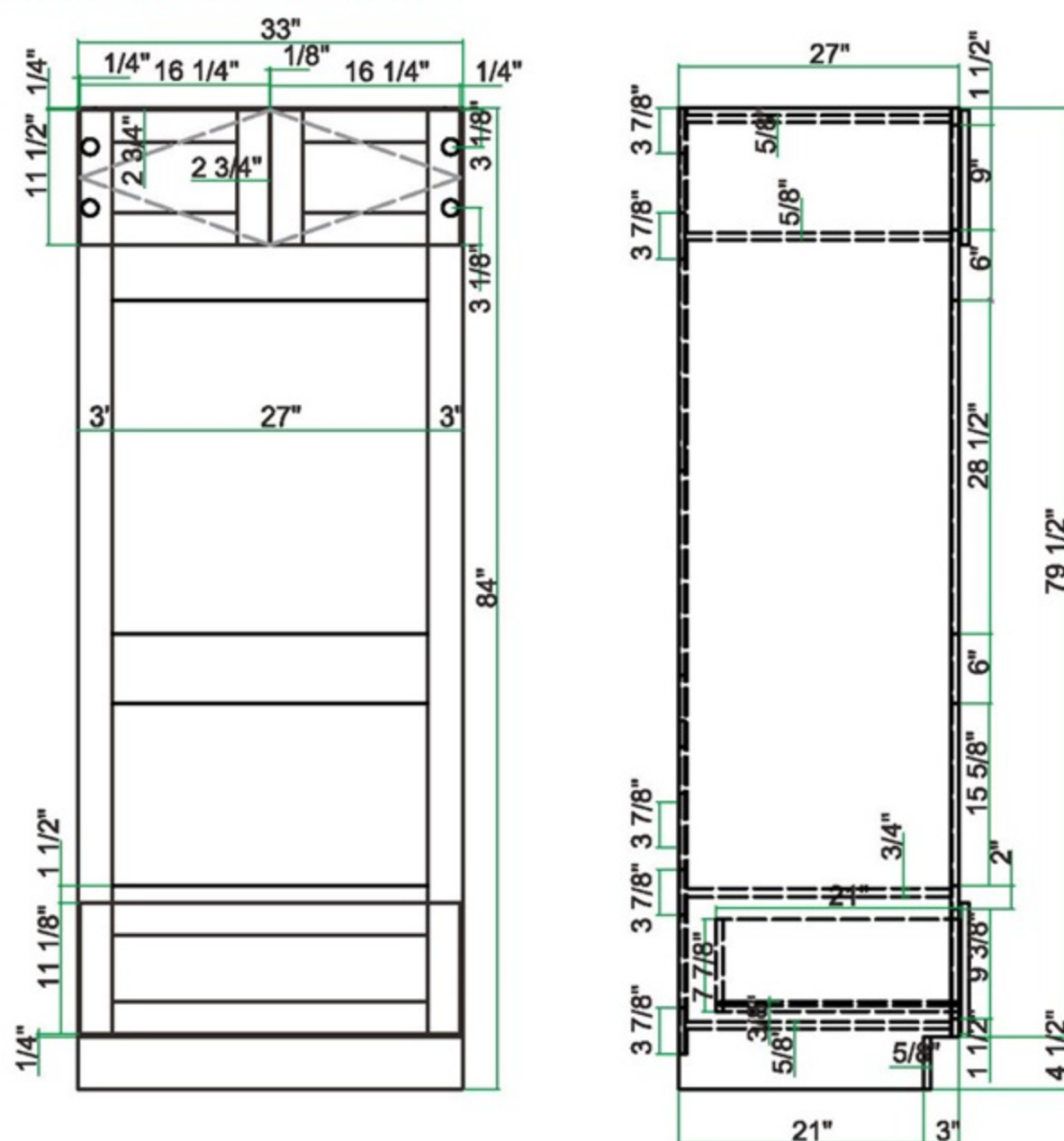
To avoid damage to the frame & side panels, Please apply extra care when cutting the front panel.



Oven Cabinet Double Oven Application 27" Deep



Cabinet Dimensions



OVEN CABINET

SKU	Door Opening		Door		Drawer Opening		Drawer front size							
	W	H	D	Door	DRAWERS	Shelves	Width W2	Height	Width W1	Height	Width	Height 1	Width	Height 1
OC338427D	33	84	27	2	1	0	30	9	16 1/4	11 1/2	27	9 1/2	32 1/2	11 1/4
OC339027D	33	90	27	2	1	0	30	15	16 1/4	17 1/2	27	9 1/2	32 1/2	11 1/4
OC339627D	33	96	27	2	1	1	30	21	16 1/4	23 1/2	27	9 1/2	32 1/2	11 1/4

Frame cut-out to be trimmed on site to fit Appliance (not by 802 Cabinetry)

Maximum cut out width 31"

Maximum cut out height 55 1/2"

To avoid damage to the frame & side panels, Please apply extra care when cutting the front panel.



OVEN CABINET SINGLE WITH 3 DRAWERS

ITEM

OC338427D

OC339027D

* OC339627D

- * Has one shelf in top cabinet.
- 3" Wide rails face frame to be trimmed on site

When using a Double Oven:

- Wide rails face frame to be trimmed on site
- Minimum width opening 27"
- Maximum cut out width 31"
- Minimum cut out height is 50 $\frac{3}{4}$ "
- Maximum cut out height is 55 $\frac{1}{2}$ "
- Maximum overall oven height 56"

When using two appliances:

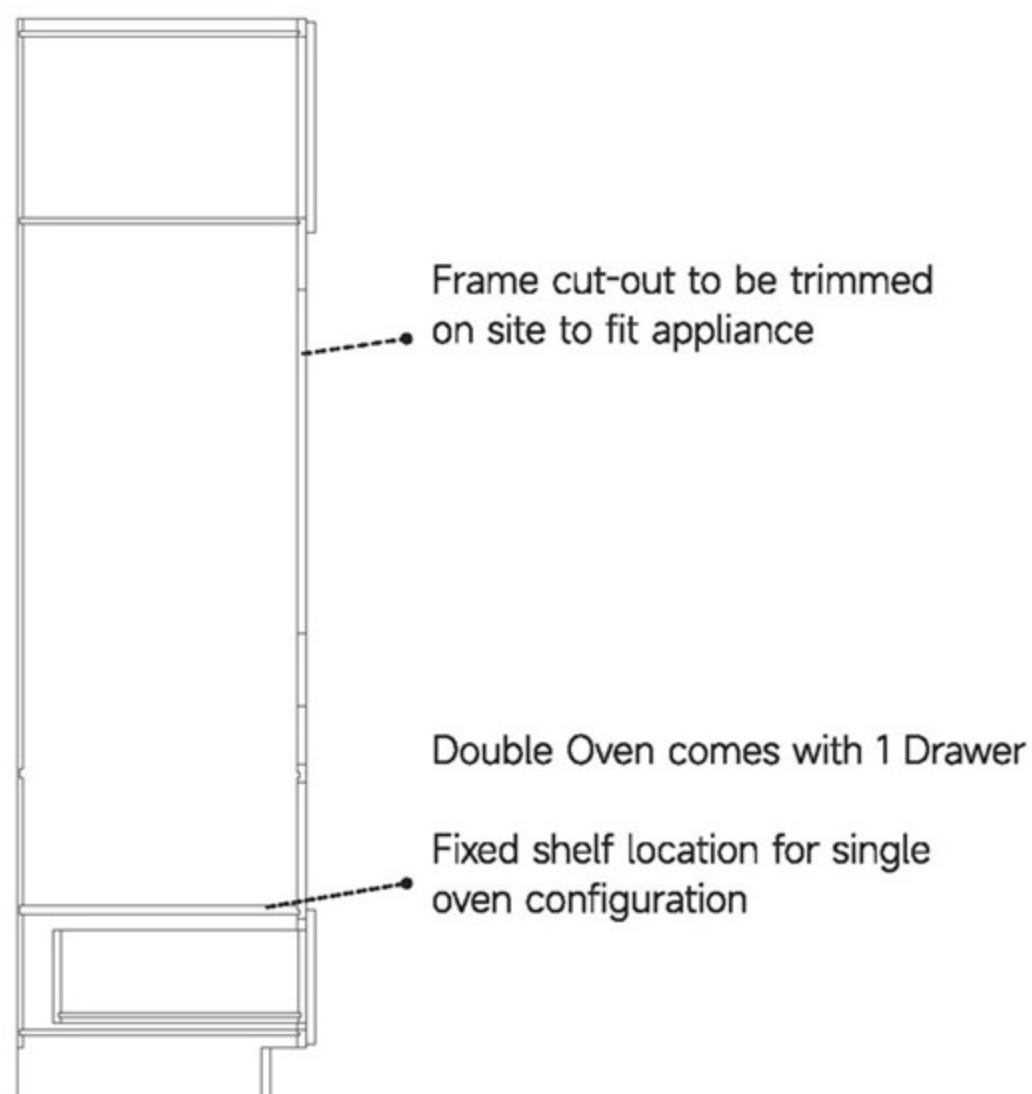
Will need to insert a filler and fixed shelf to support top appliance, filler and shelf to be purchased separately

Full panel face frame to be trimmed on site (not by 802 Cabinetry).

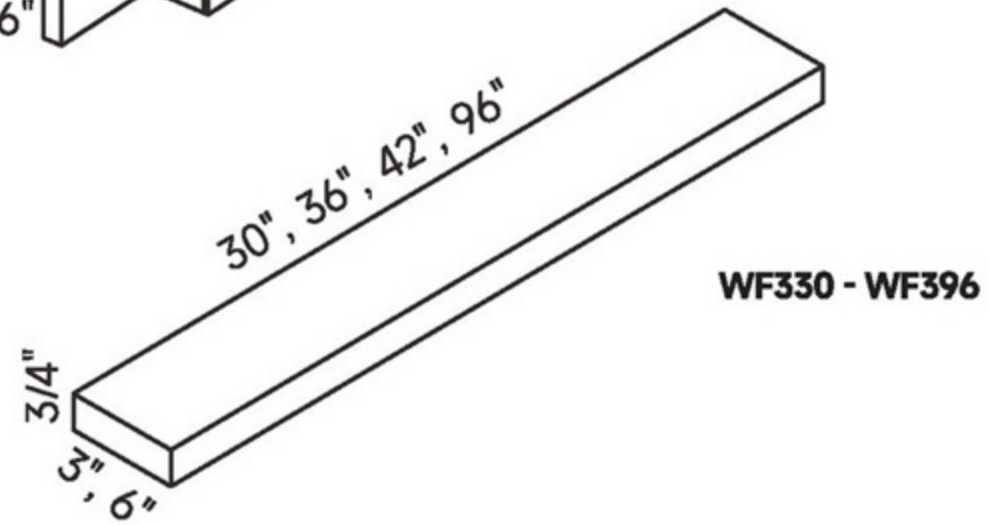
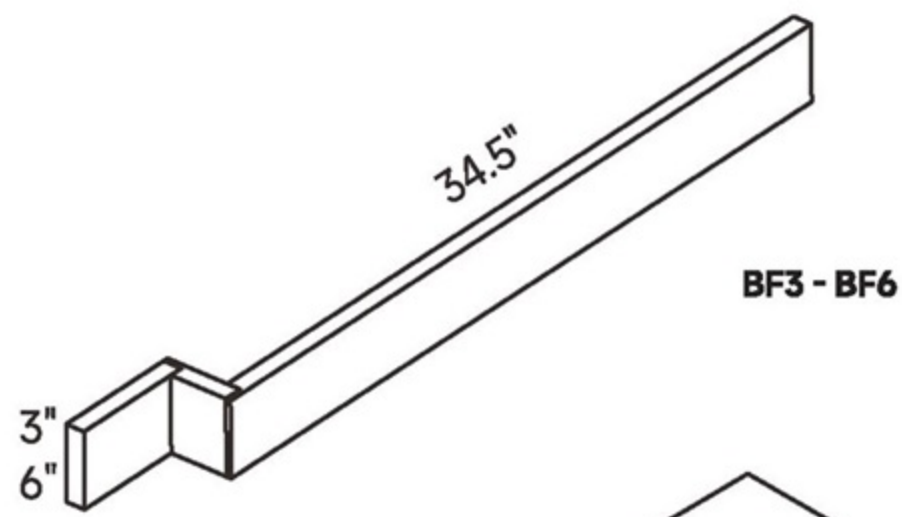
Note: To avoid damage to the frame & side panels, please apply extra care when cutting the front panel.

SPECIFICATION FOR OVEN CABINET

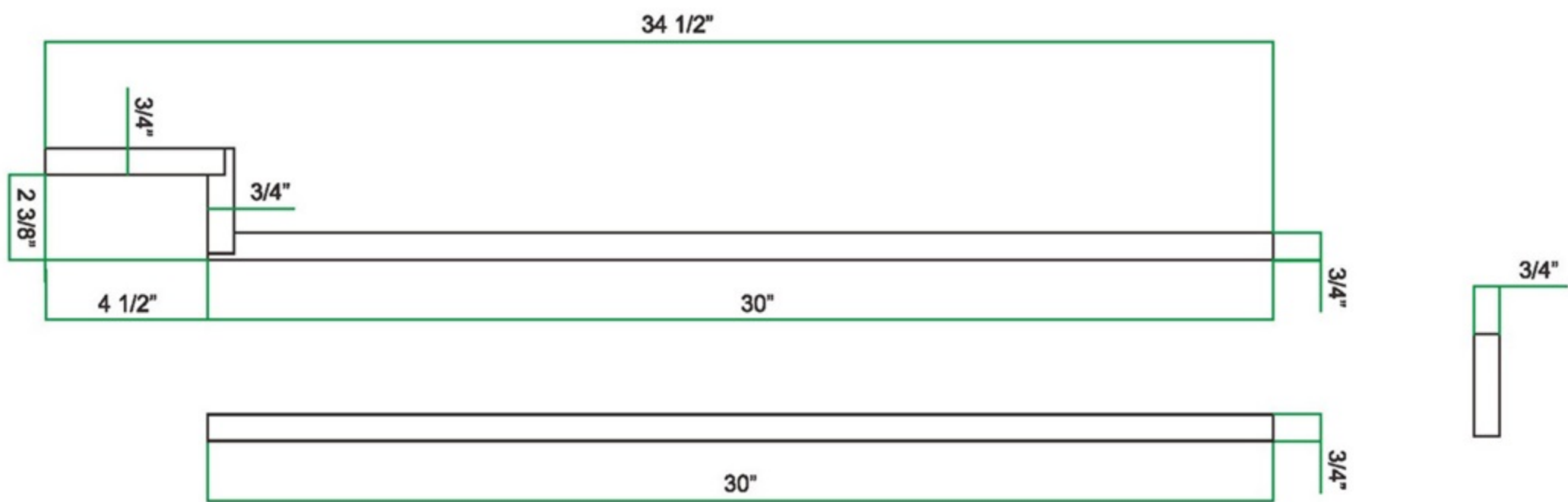
Tall Oven Cabinets come with a single fixed shelf above top drawer. Fixed shelf will be located above the uppermost drawer; location is based on the selected configurations: Double
Frame is to be trimmed on site to accommodate configuration & appliance needs



Filler

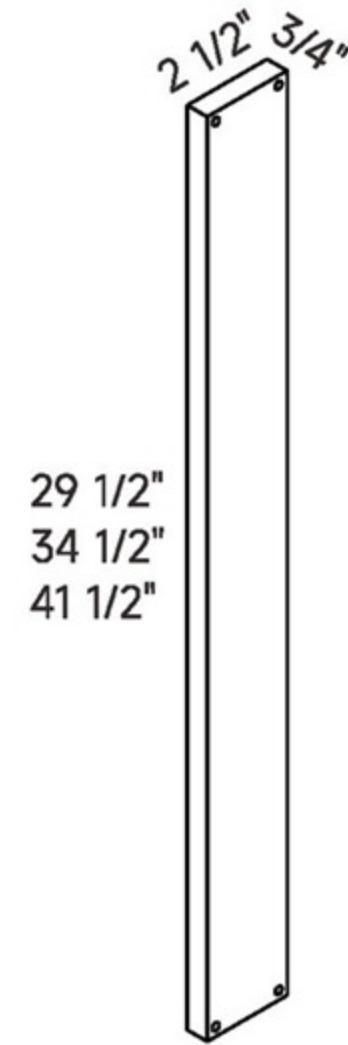


Cabinet Dimensions

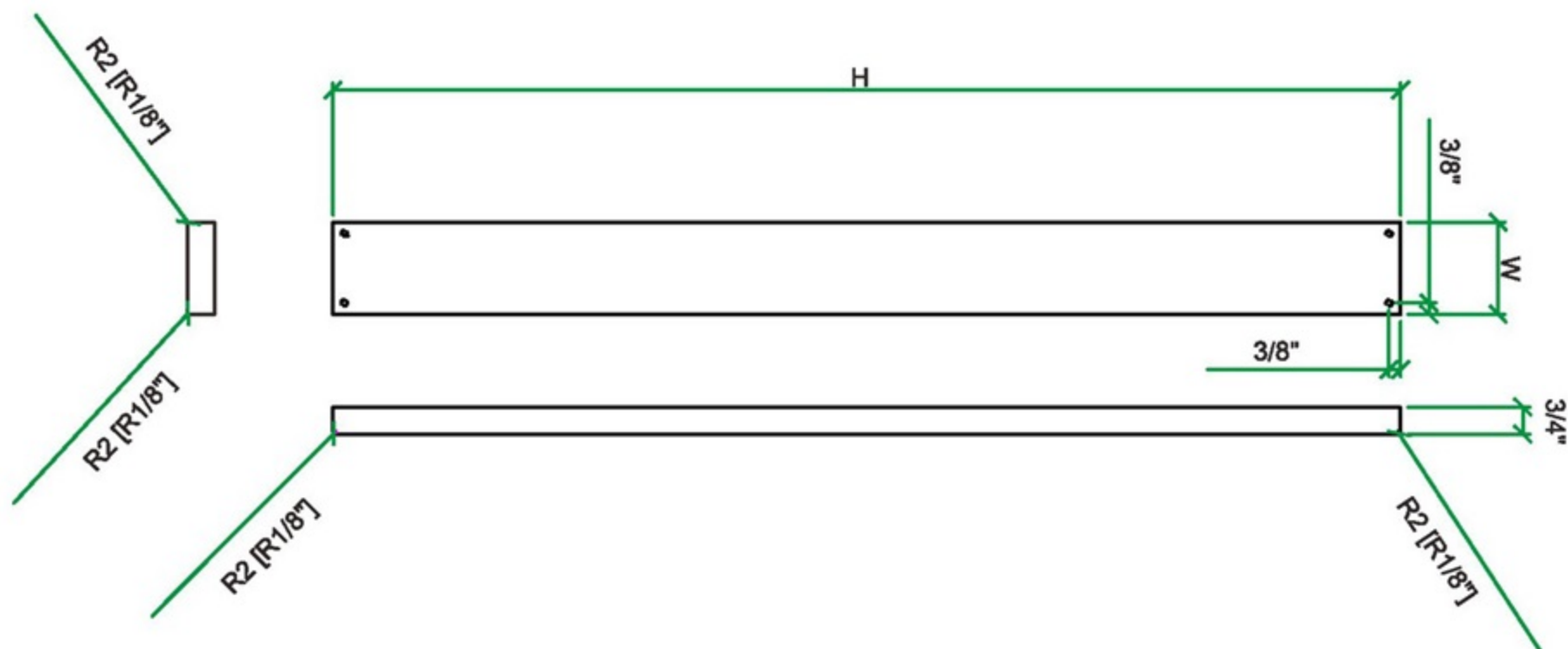


SKU	W	I	H	I	D
BF3	3		34 1/2		3/4
BF6	6		34 1/2		3/4
WF330	3		30		3/4
WF336	3		36		3/4
WF342	3		42		3/4
WF630	6		30		3/4
WF636	6		36		3/4
WF642	6		42		3/4
WF396	3		96		3/4
WF696	6		96		3/4

Overlay Filler



Cabinet Dimensions



SKU	W	I	H	I	D
OWF330	2 1/2		29 1/2		3/4
OWF336	2 1/2		35 1/2		3/4
OWF342	2 1/2		41 1/2		3/4
OWF384	2 1/2		83 1/2		3/4
OWF390	2 1/2		89 1/2		3/4
OWF396	2 1/2		95 1/2		3/4

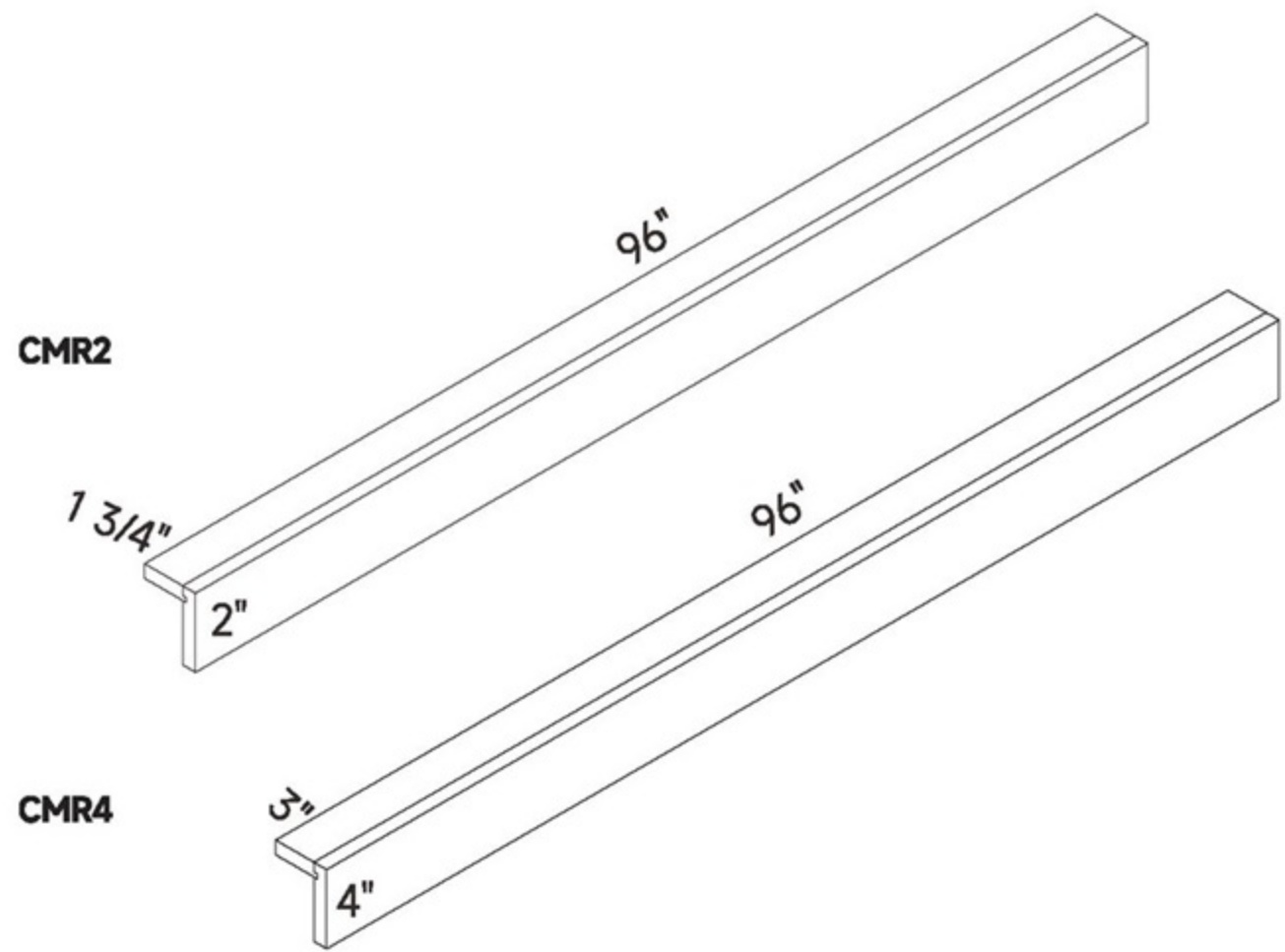
All four edges and front face of overlay filler are finished
Back filler to be ordered separately

MOULDING

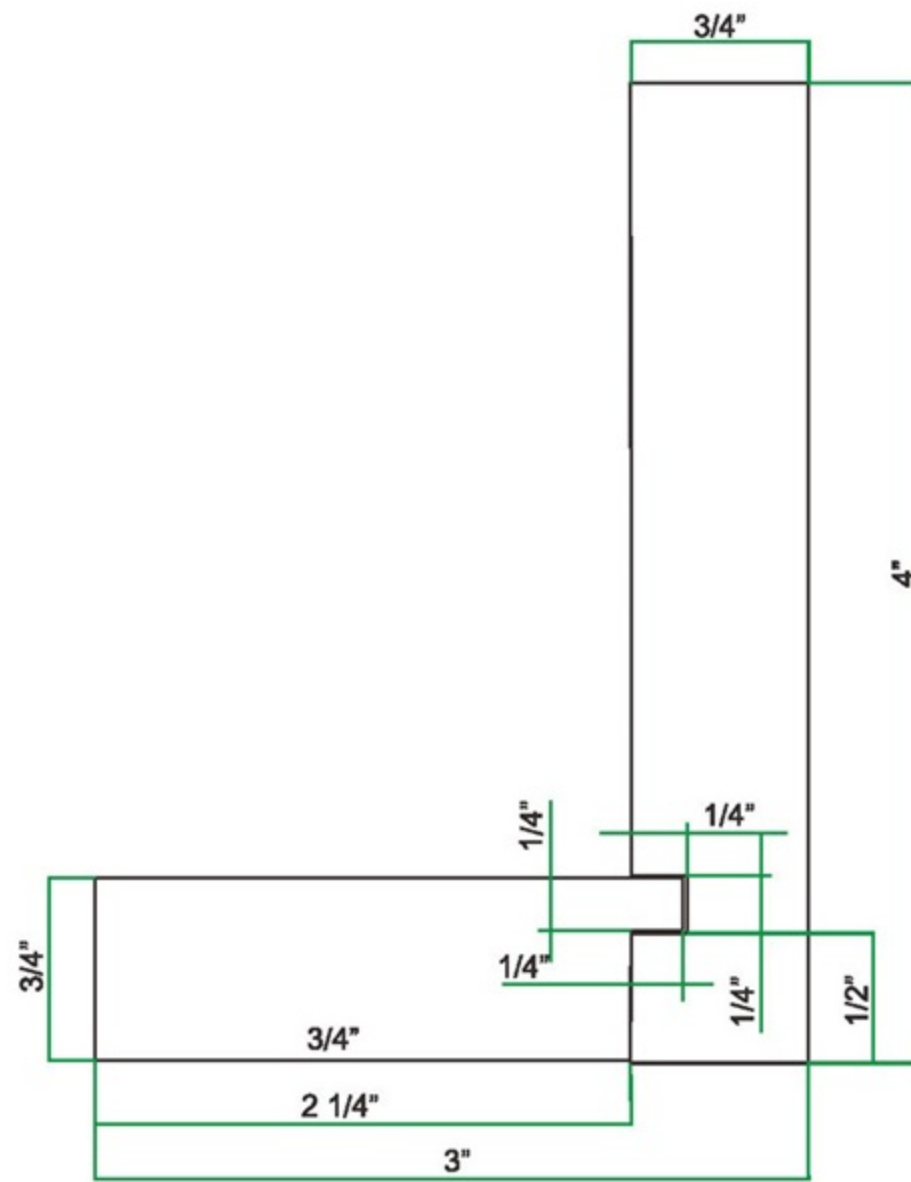


802
CABINETS

Starter Molding

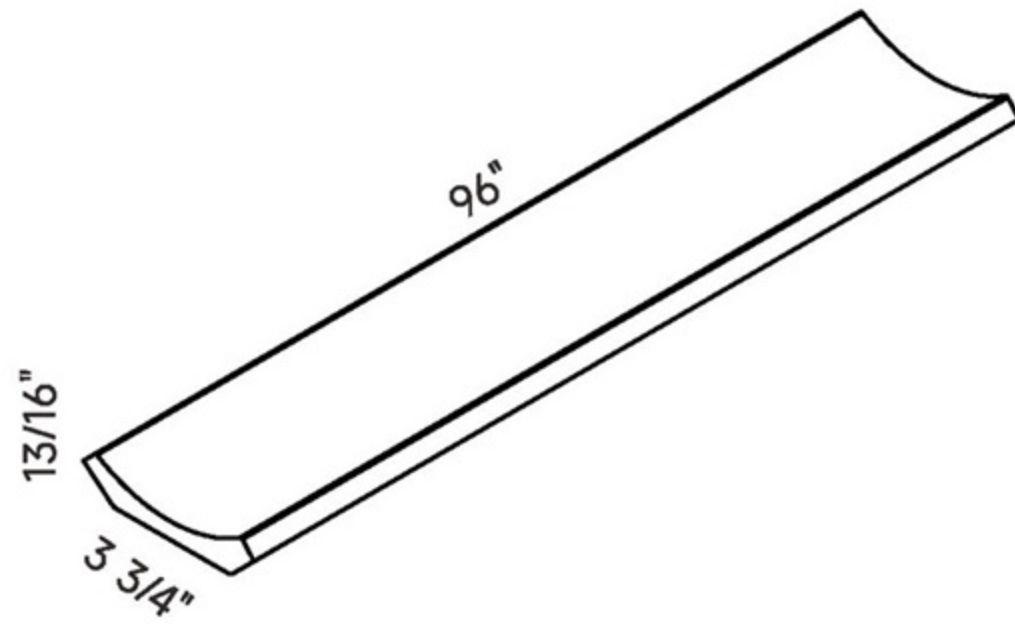


Cabinet Dimensions

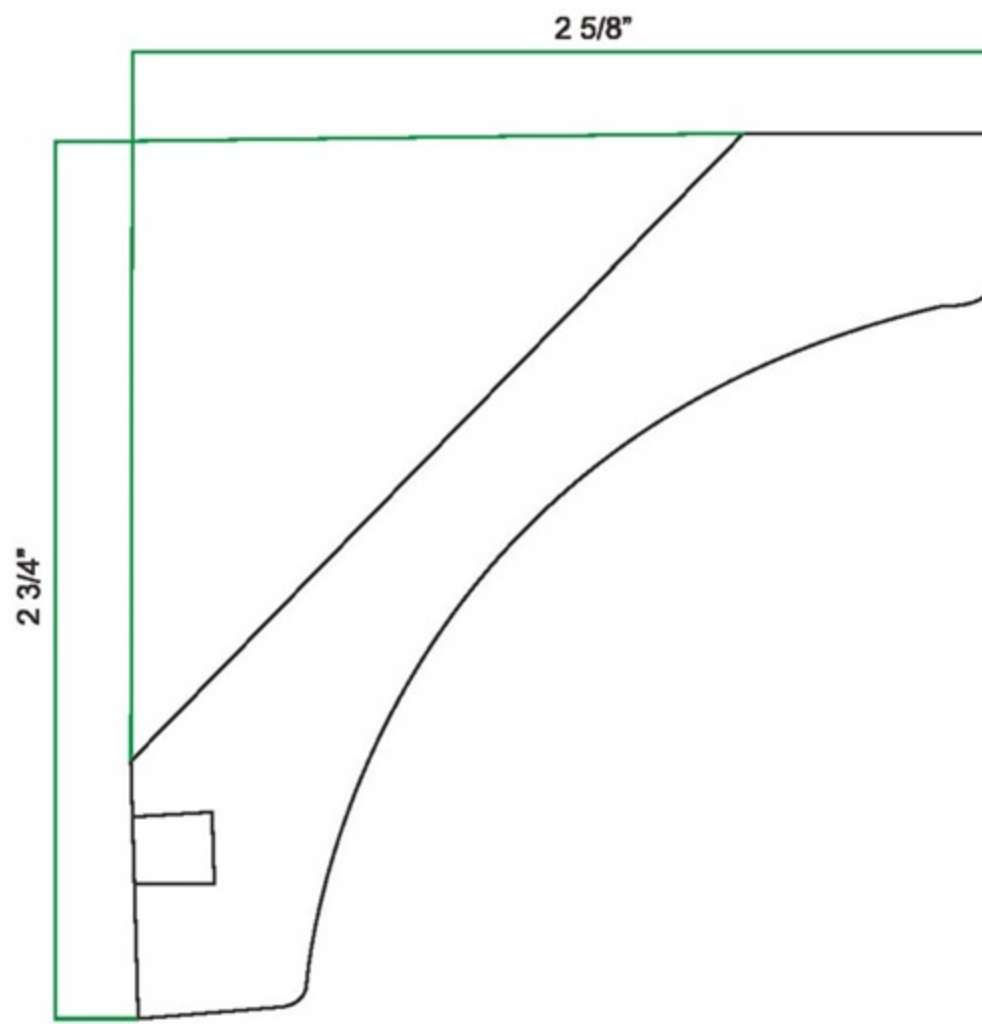


SKU	T	I	H	I	L
CMR2	1 1/2		2		96
CMR4	3		4		96

Cove Molding

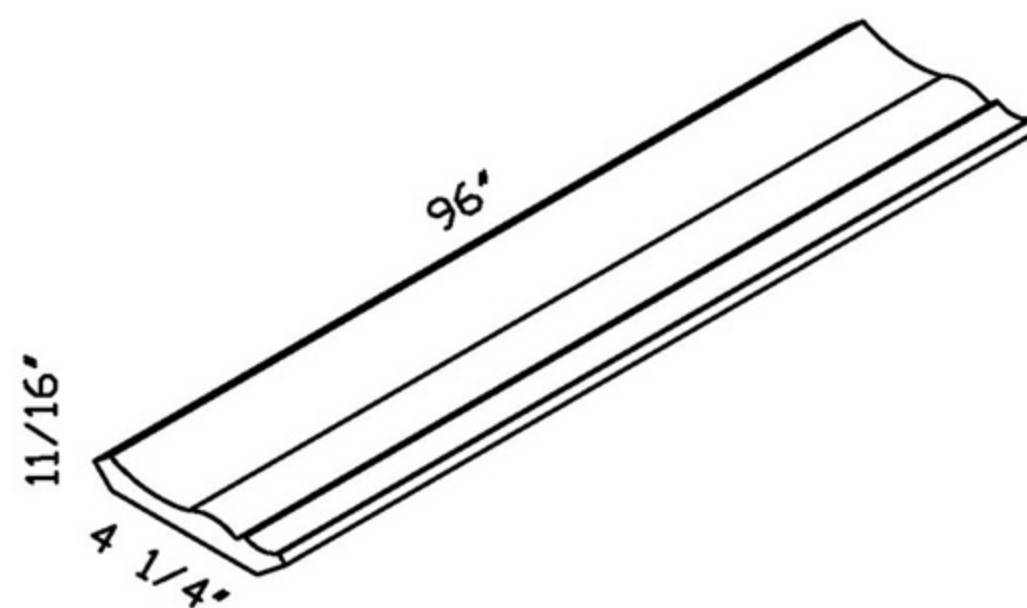


Cabinet Dimensions



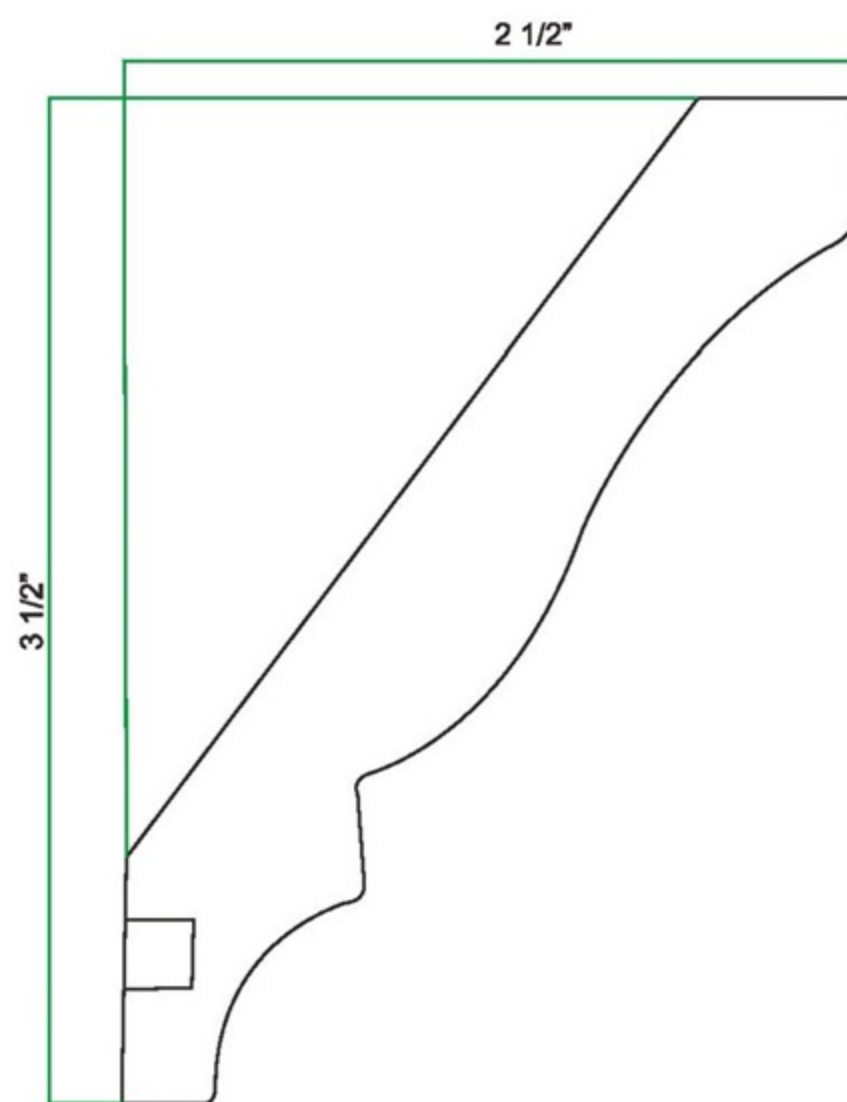
SKU	T	I	H	I	L
CM4	7/8		3 7/8		96

Crown Molding



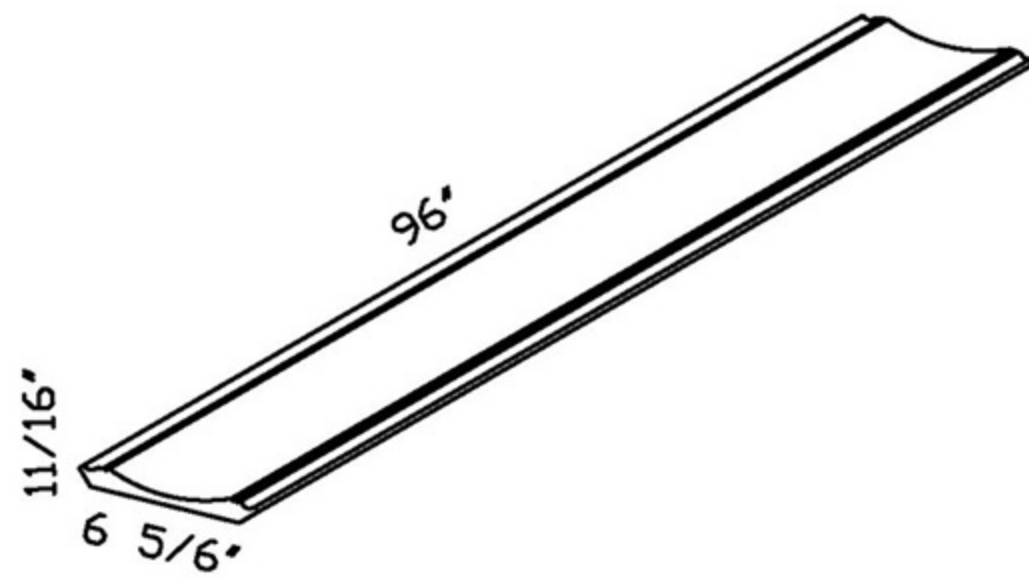
MOLDING

Cabinet Dimensions



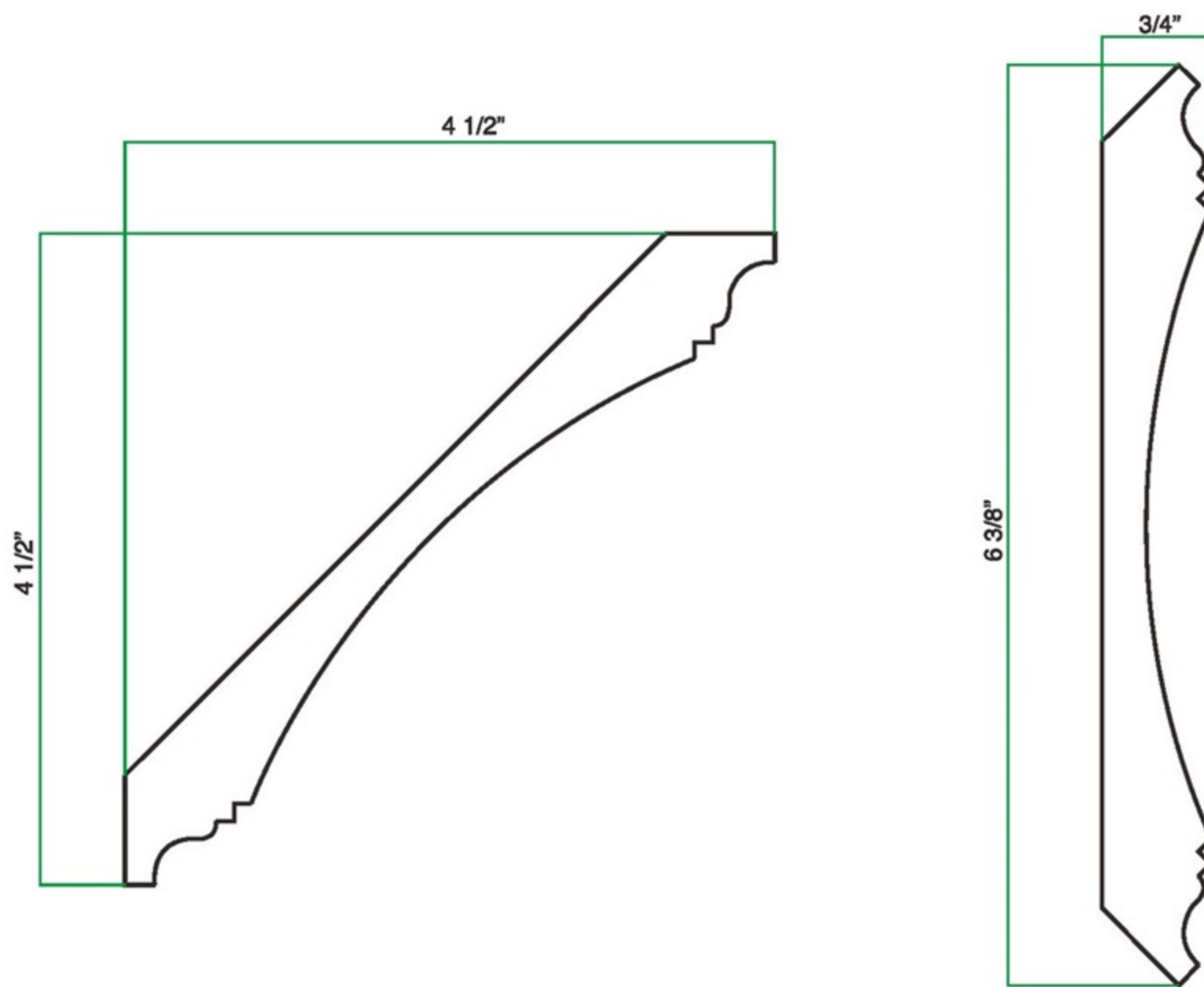
SKU	T	I	H	I	L
CM6	3/4		4 1/4		96

Large Crown Molding



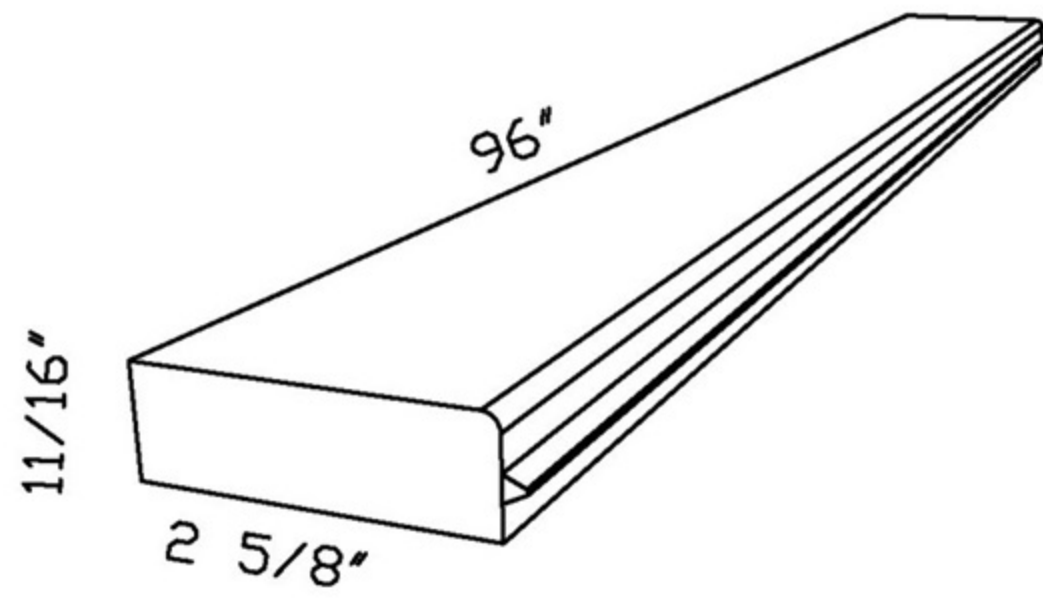
MOLDING

Cabinet Dimensions



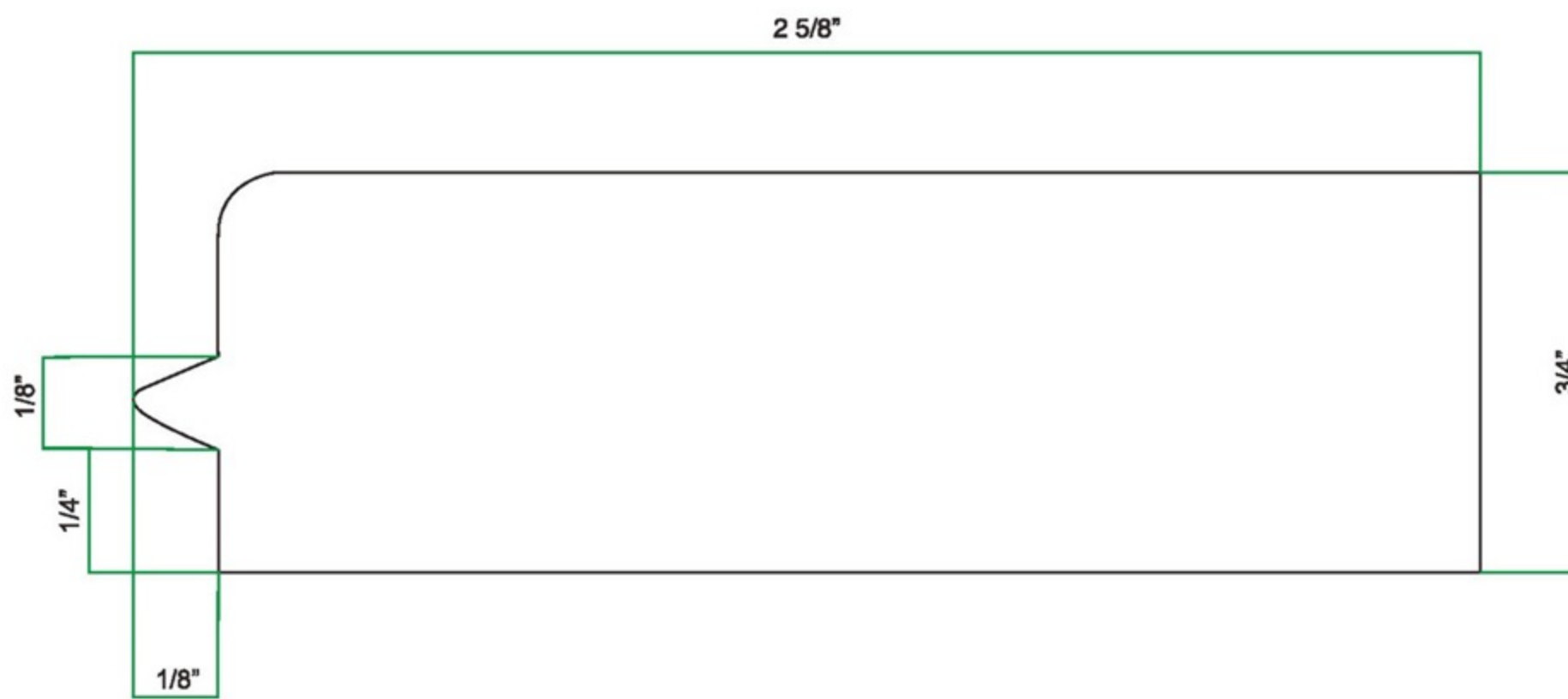
SKU	T	I	H	I	L
CM7	3/4		6 3/8		96

Starter Molding



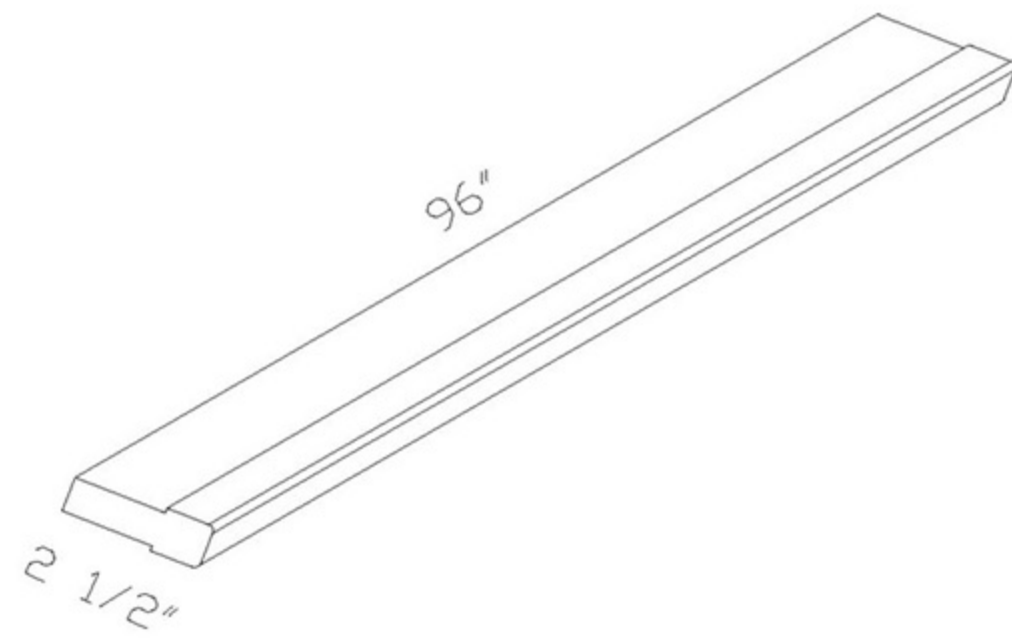
MOLDING

Cabinet Dimensions



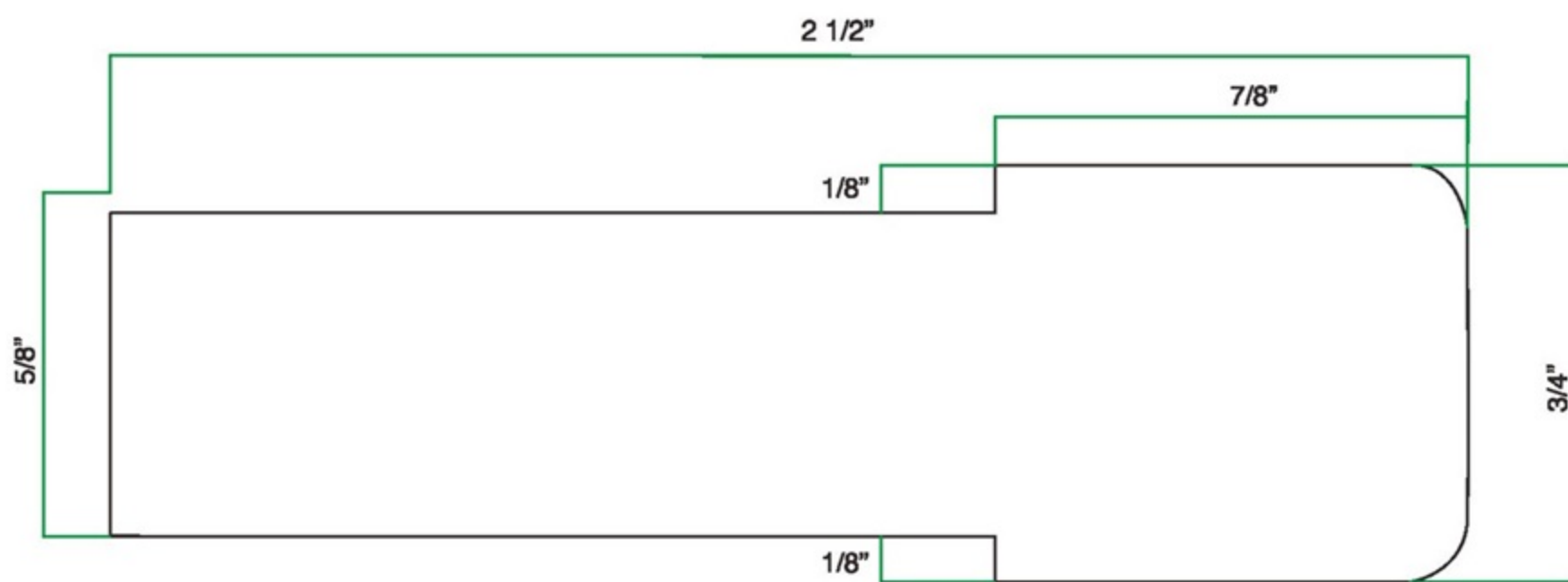
SKU	T	I	H	I	L
STRM8	3/4		2 5/8		96

Stacking Molding



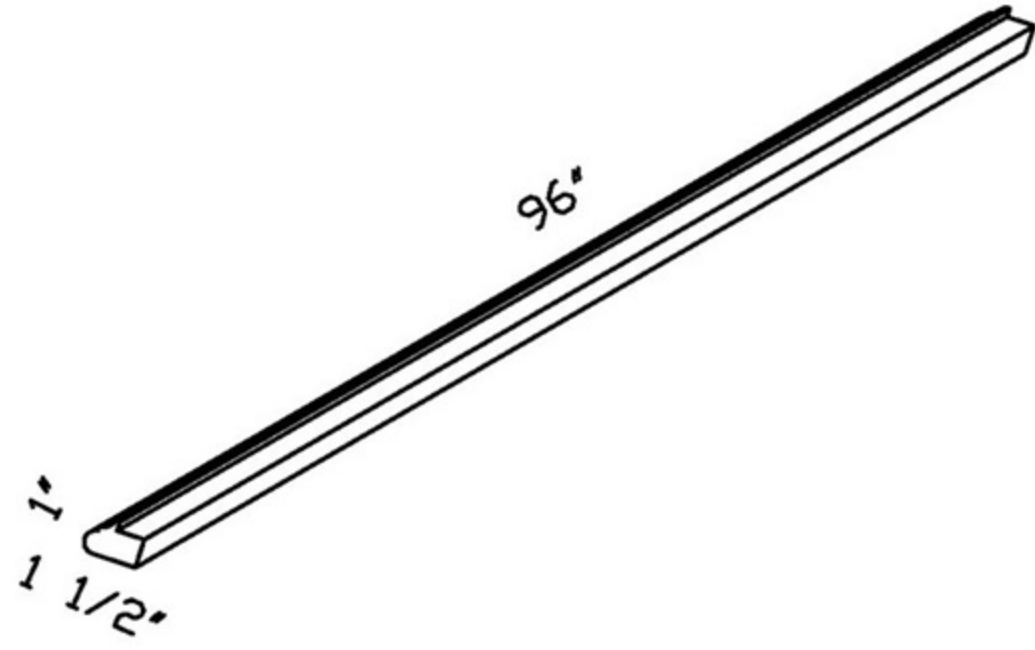
MOLDING

Cabinet Dimensions



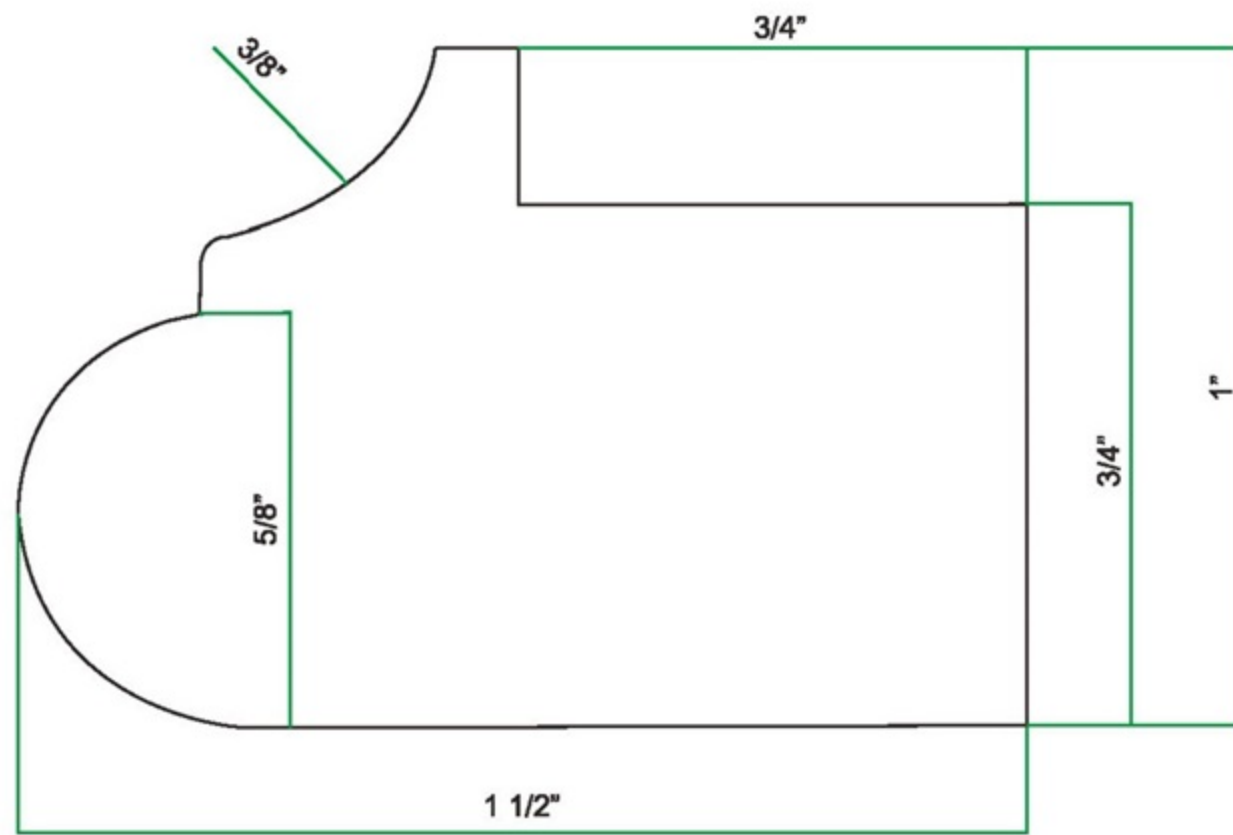
SKU	T	I	H	I	L
STKM8	3/4		2 1/2		96

Light Rail Molding



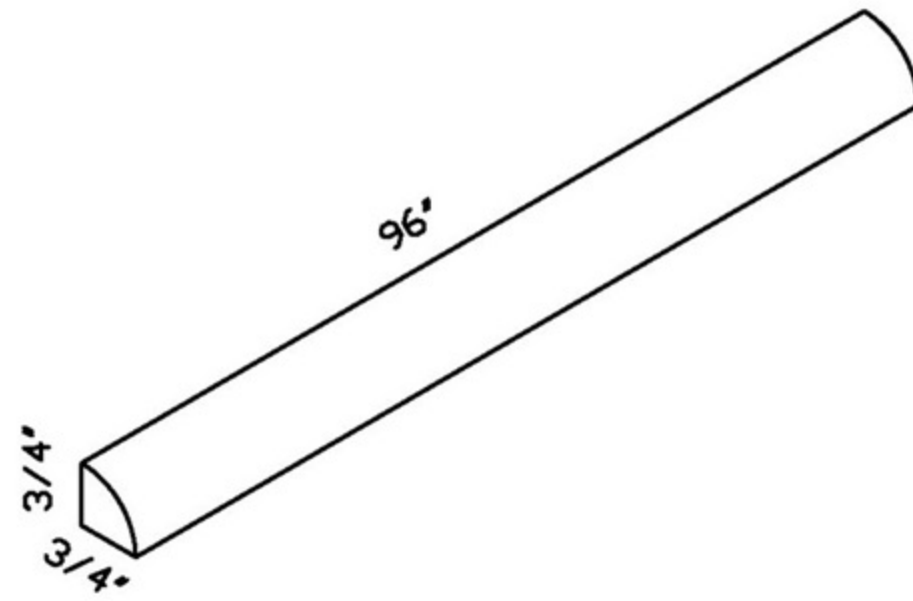
MOLDING

Cabinet Dimensions



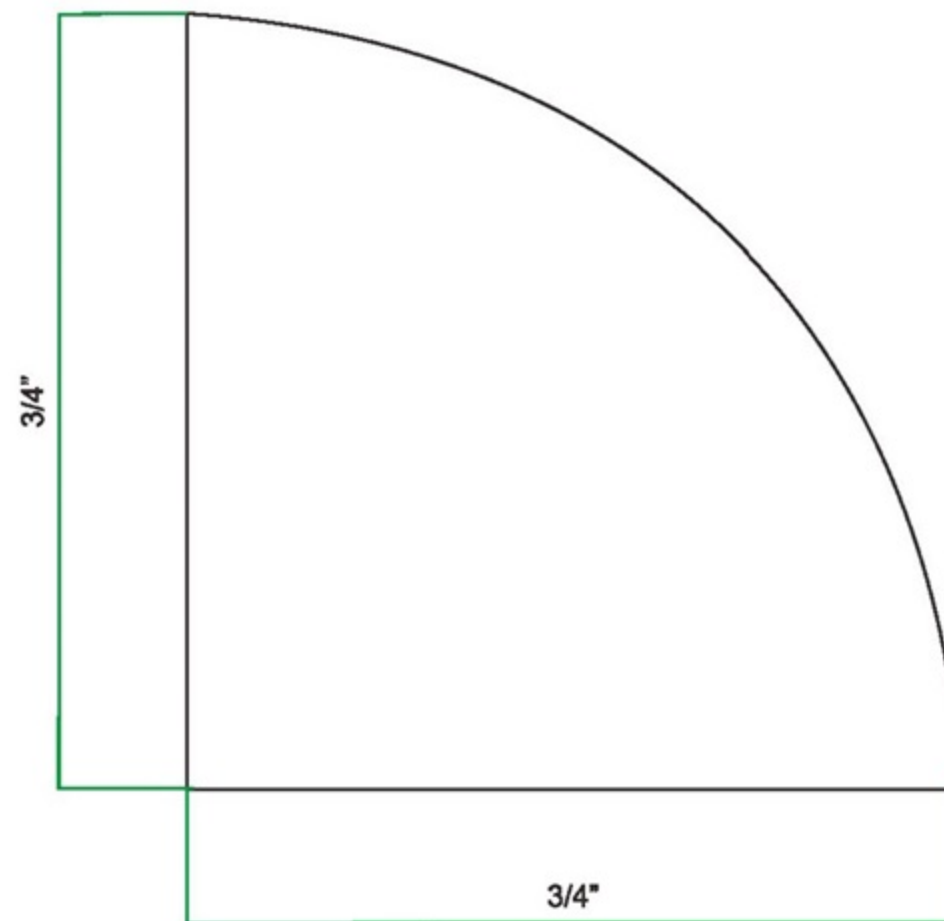
SKU	T	I	H	I	L
LRM	1		1 1/2		96

Quarter Round Molding



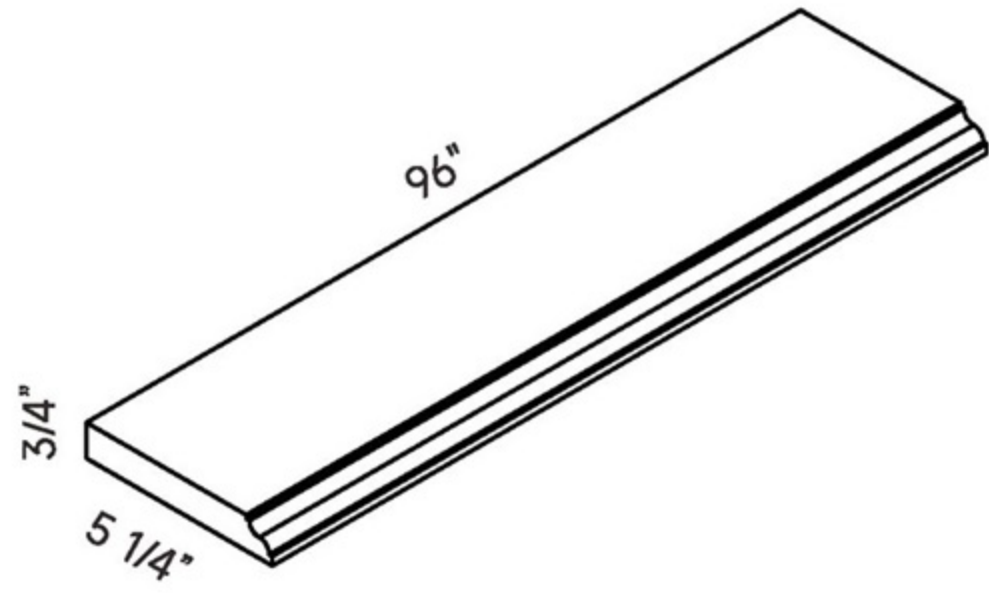
MOLDING

Cabinet Dimensions



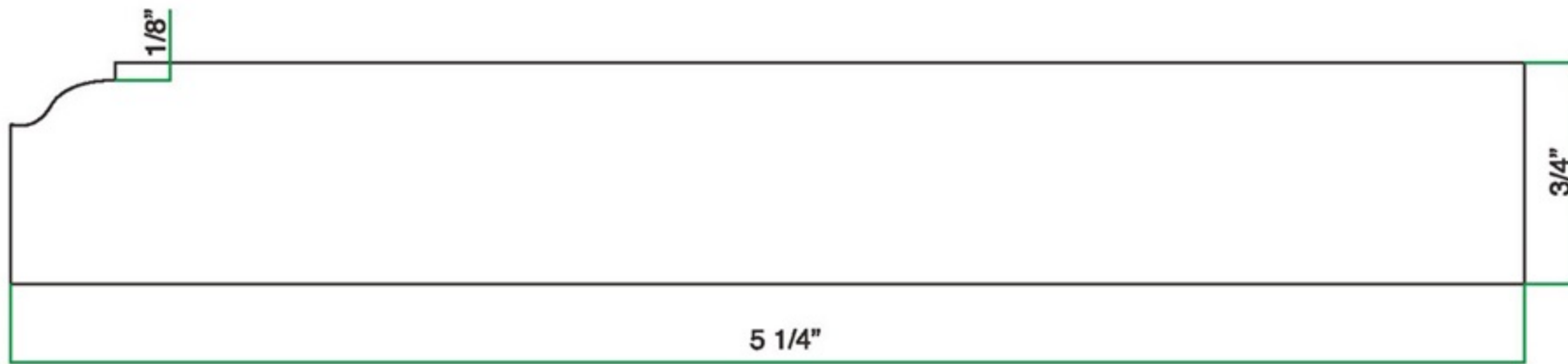
SKU	T	I	H	I	L
QRM	3/4		3/4		96

Base Molding



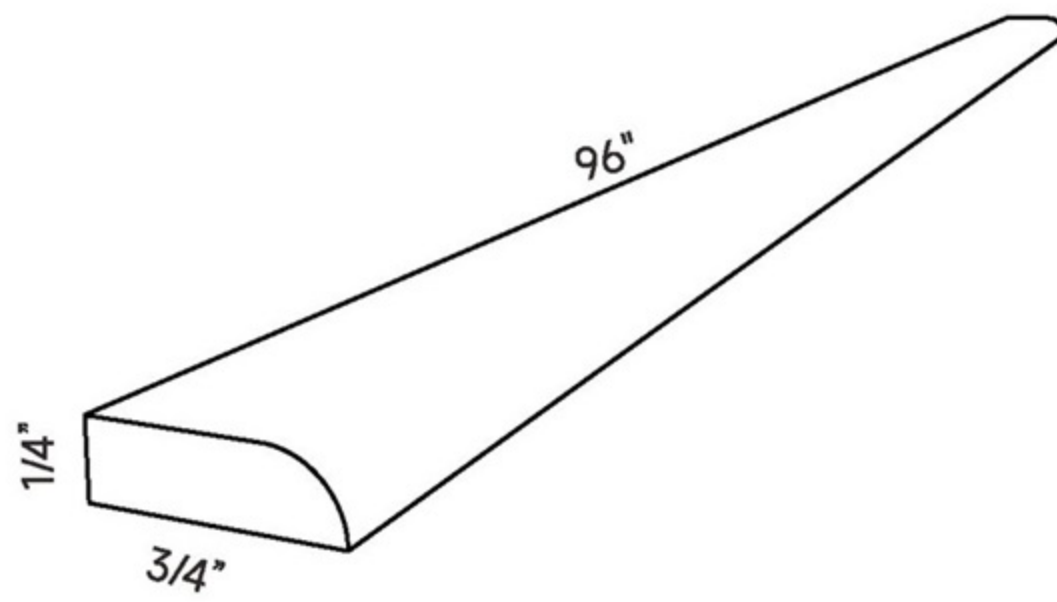
MOLDING

Cabinet Dimensions



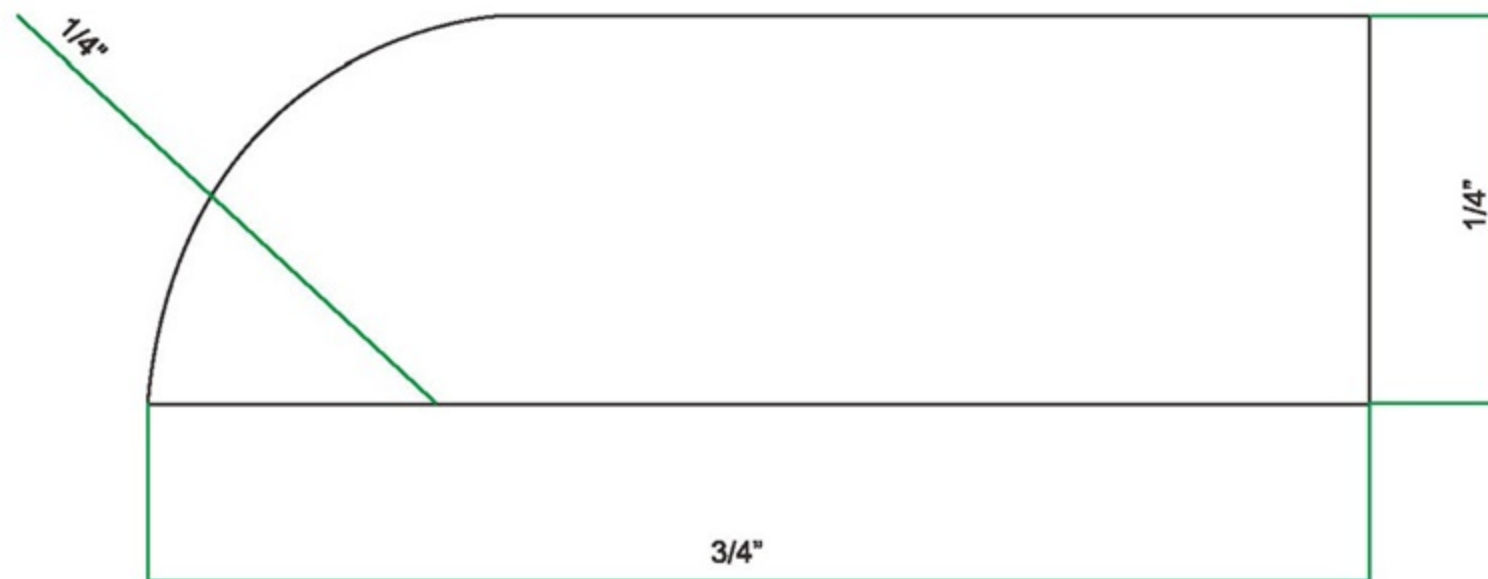
SKU	T	I	H	I	L
BBM5	3/4		5 1/4		96

Scribe Molding



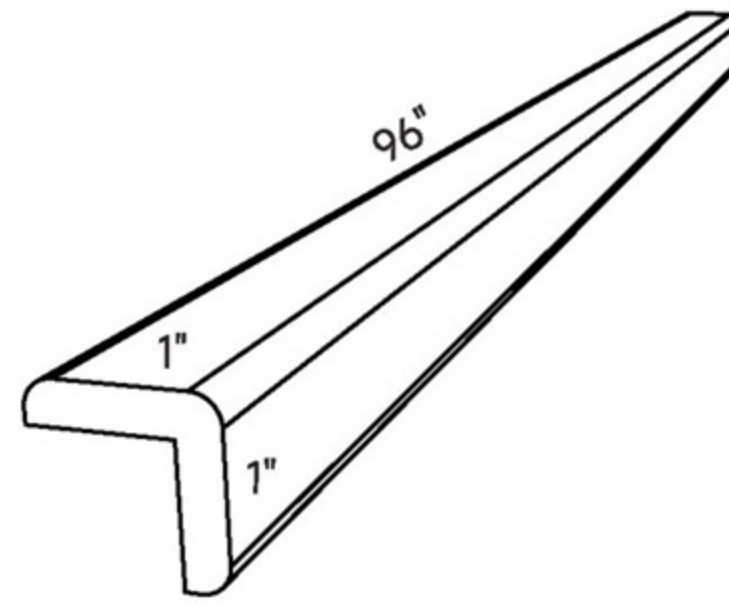
MOLDING

Cabinet Dimensions



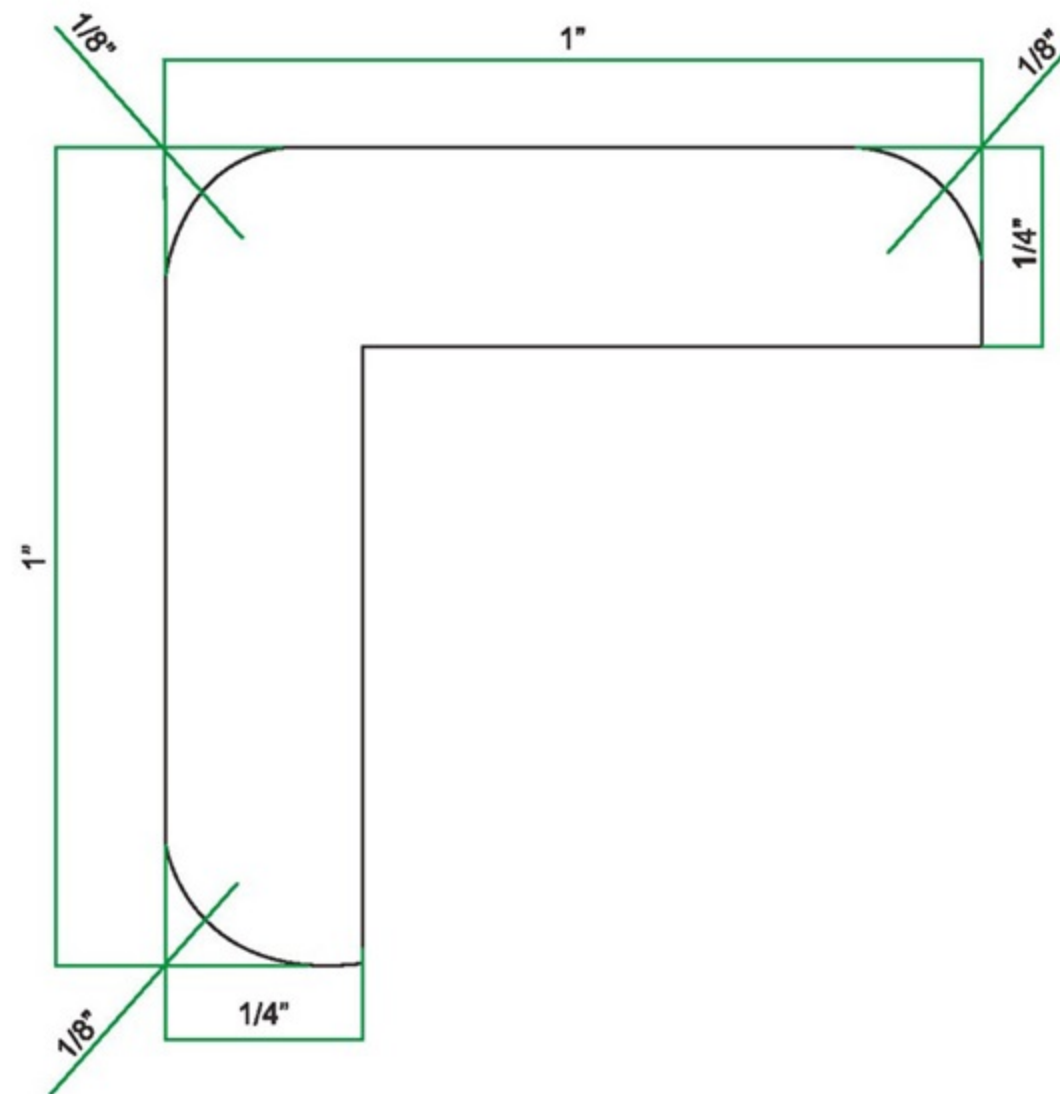
SKU	T	I	H	I	L
SM8-S	1/4		3/4		96

Outside Molding



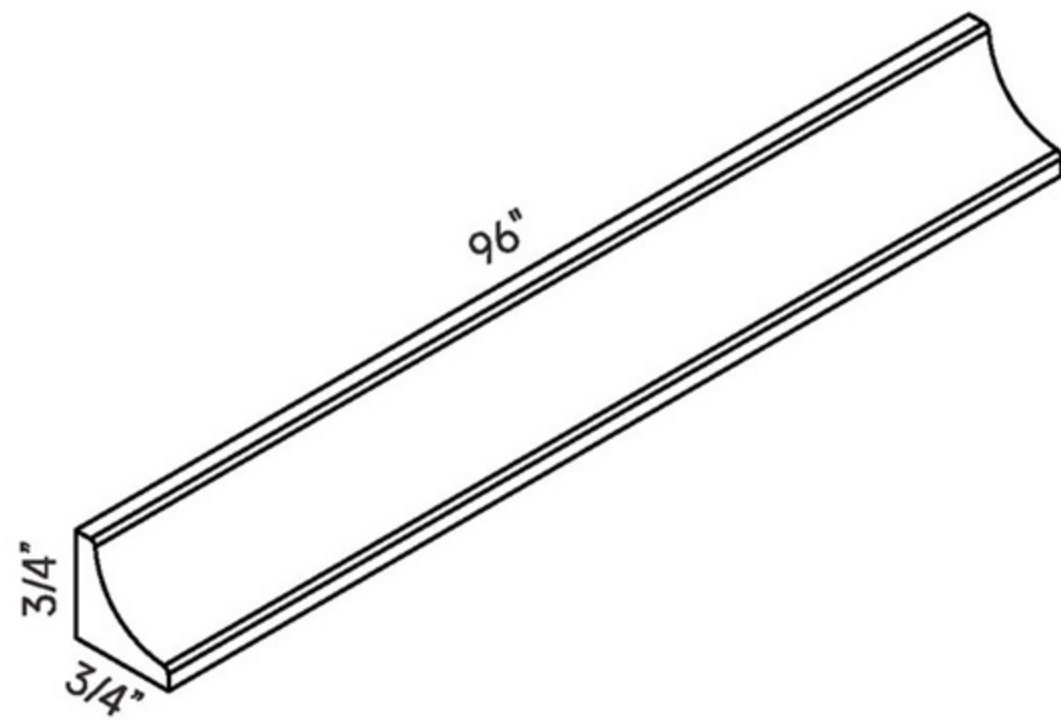
MOLDING

Cabinet Dimensions



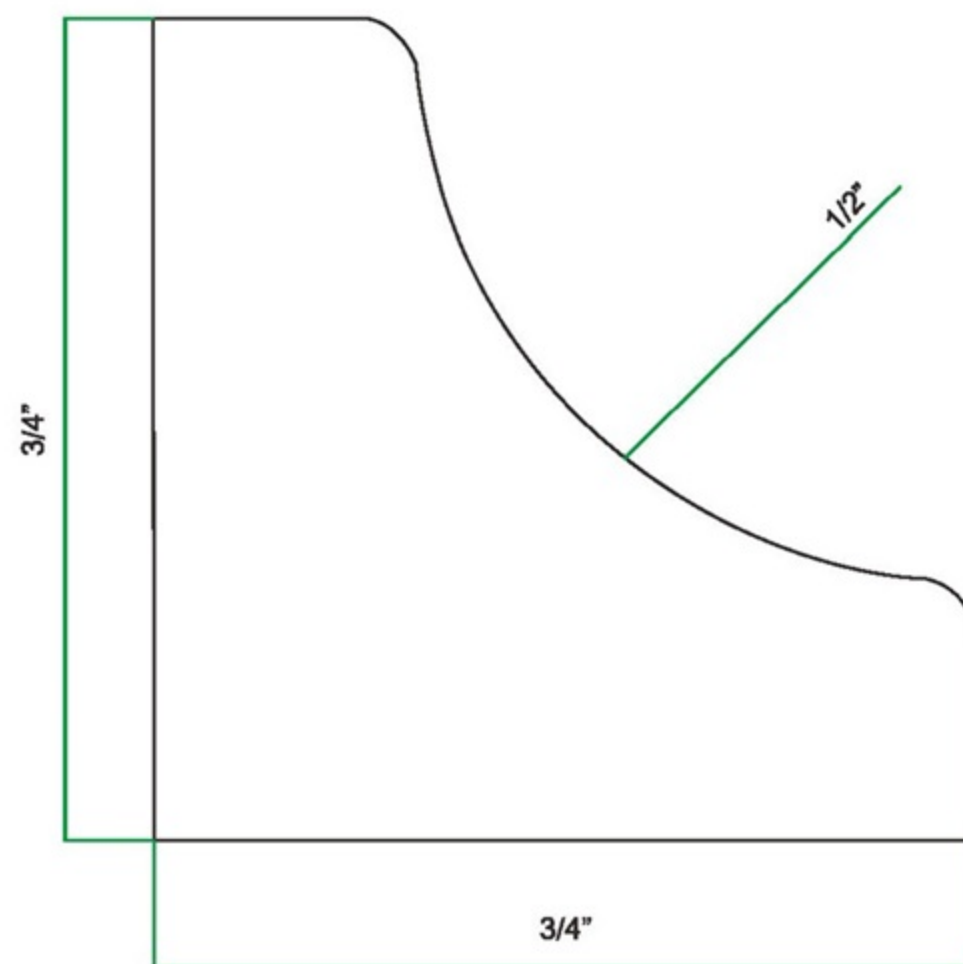
SKU	T	I	H	I	L
OCM8	1/4		1		96

Inside Molding



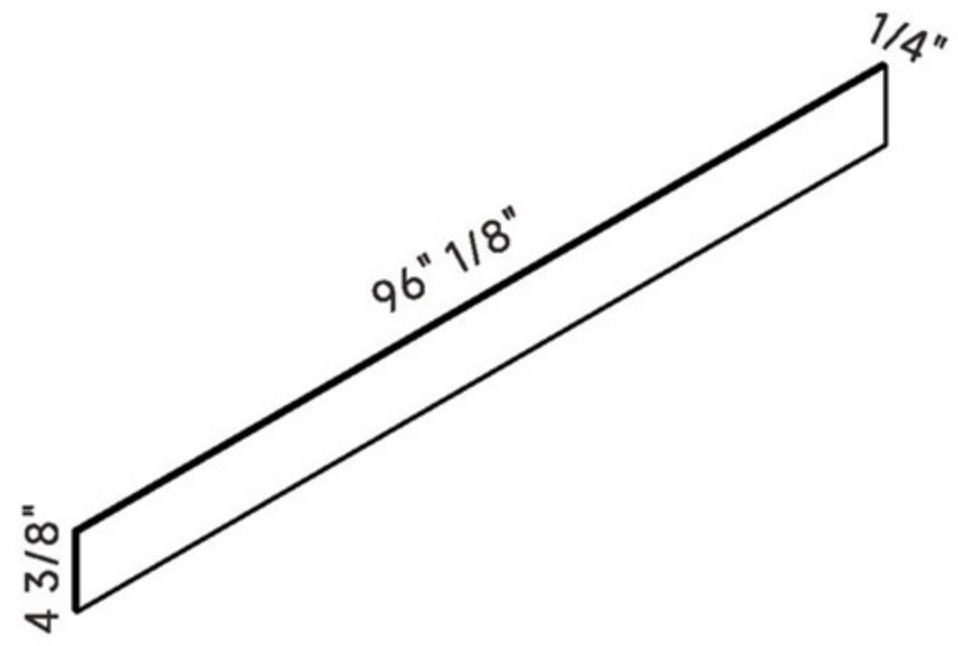
MOLDING

Cabinet Dimensions



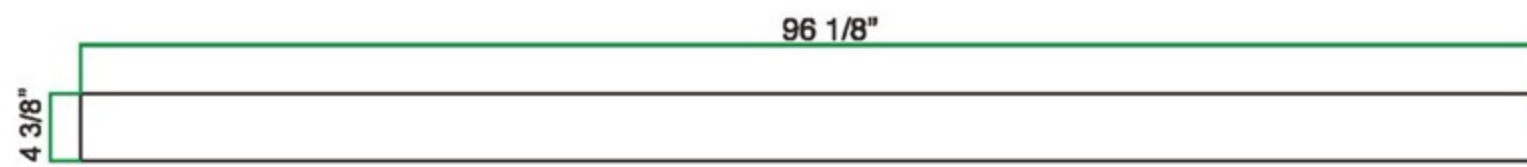
SKU	T	I	H	I	L
ICM8	3/4		3/4		96

Toe Kick Molding



MOLDING

Cabinet Dimensions

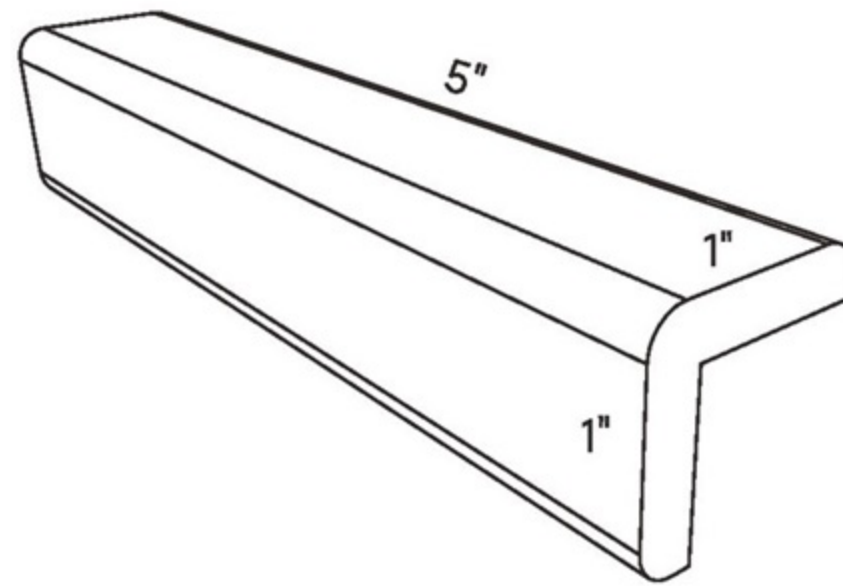


$\frac{1}{4}$ "



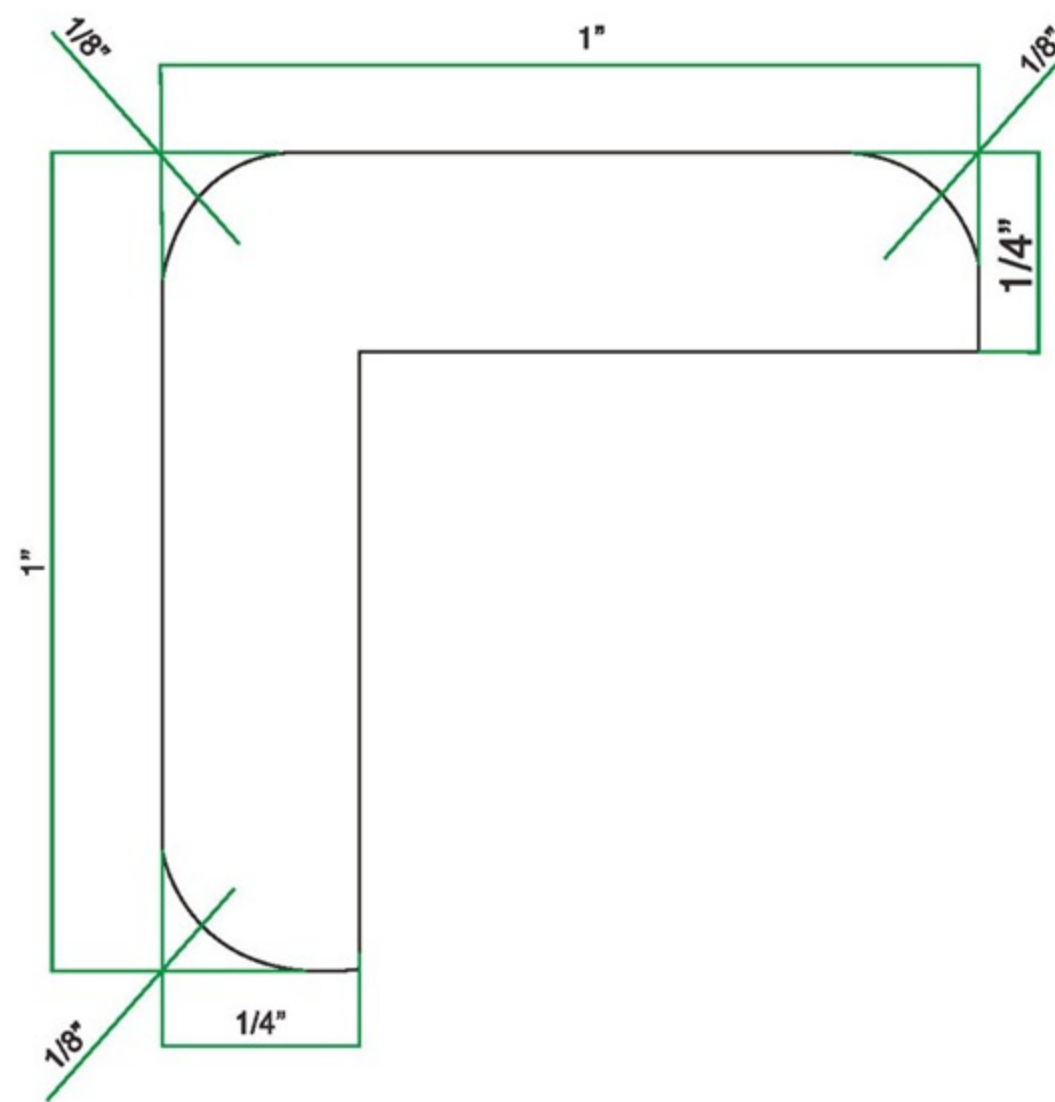
SKU	T	I	H	I	L
TK8	$\frac{1}{4}$		$4 \frac{3}{8}$		96

Toe Kick Molding



MOLDING

Cabinet Dimensions



SKU	T	I	H	I	L
TKC	1		1		5



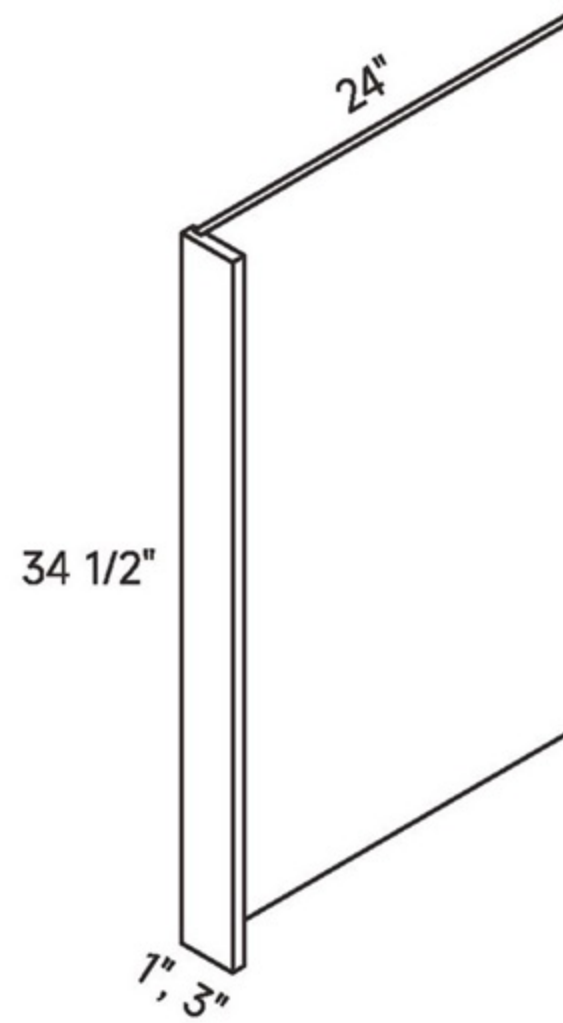
802
CABINETRY



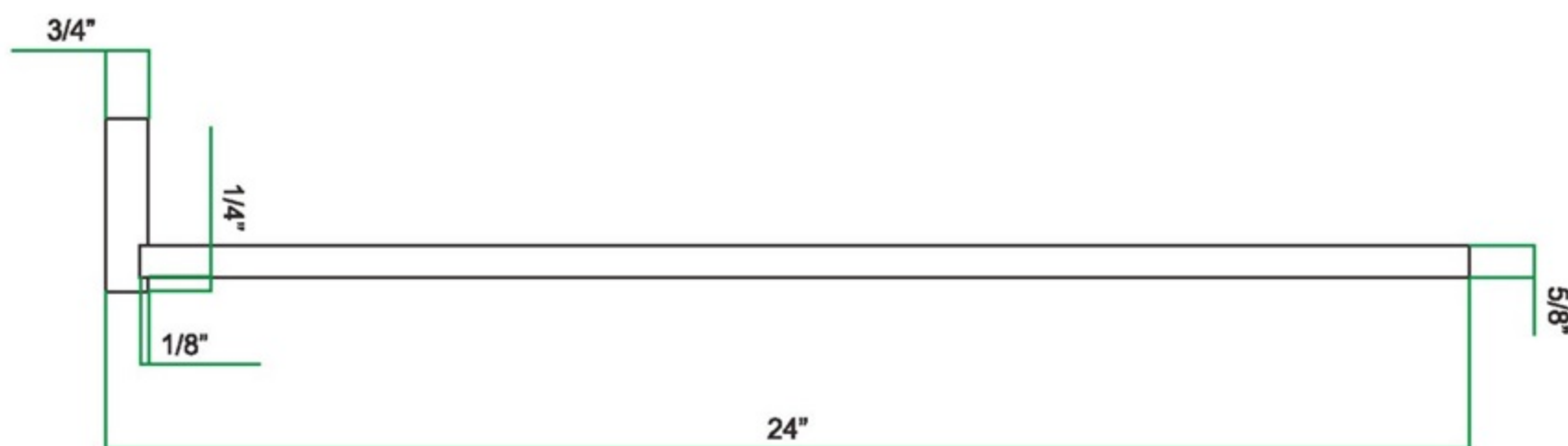
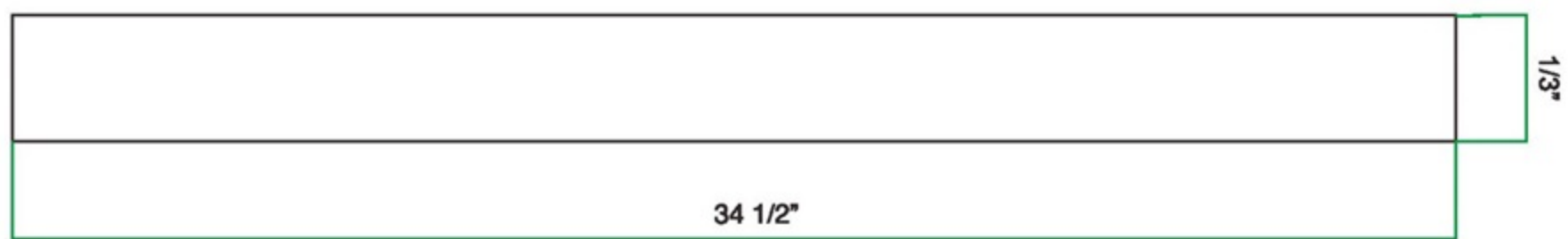
CABINETS

PANELS

Dishwasher End Panel



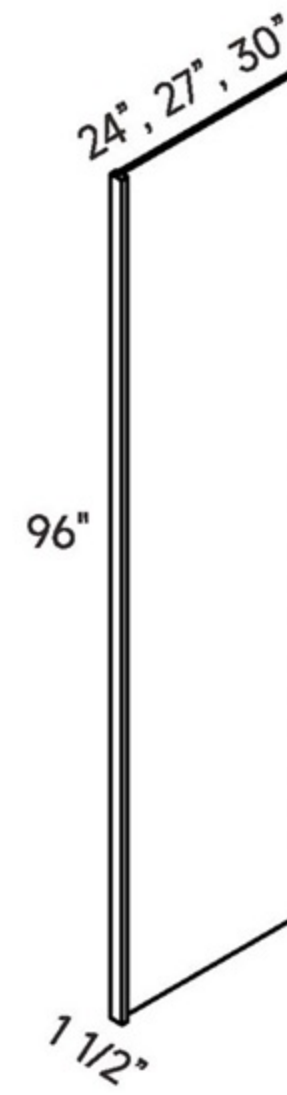
Cabinet Dimensions



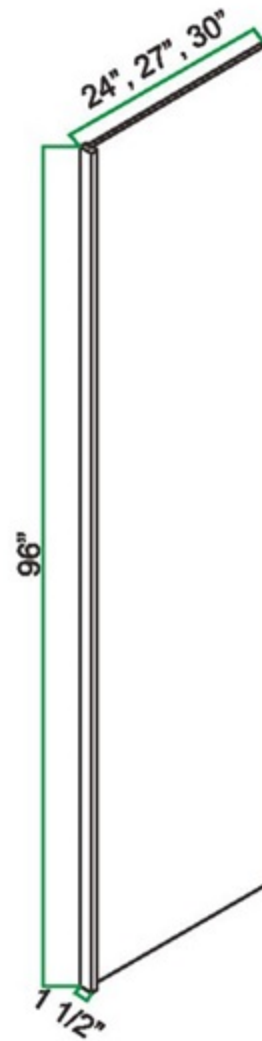
PANEL

SKU	W	I	D	I	H
DWR1	1		24		34 1/2
DWR3	3		24		34 1/2

Refrigerator Panel



Cabinet Dimensions

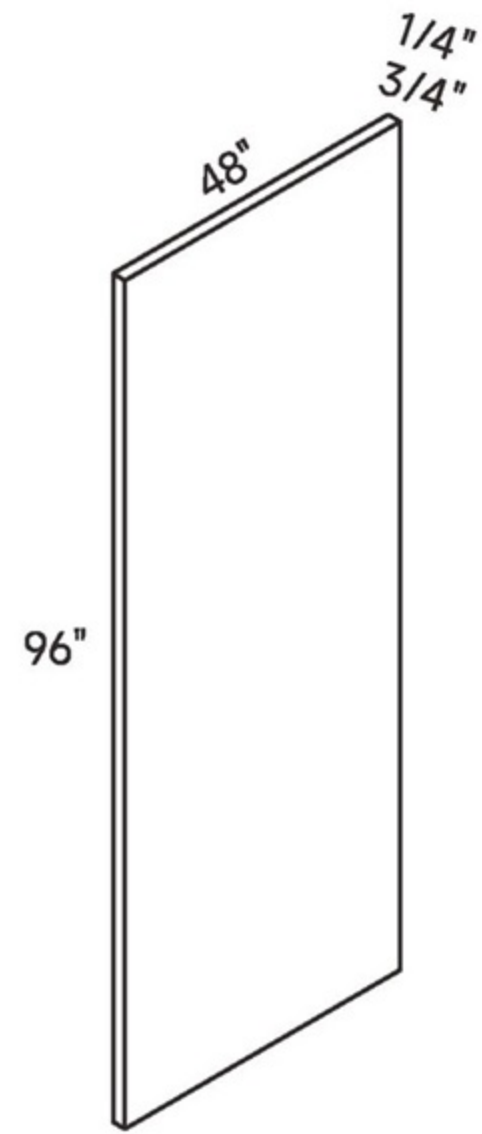


PANEL

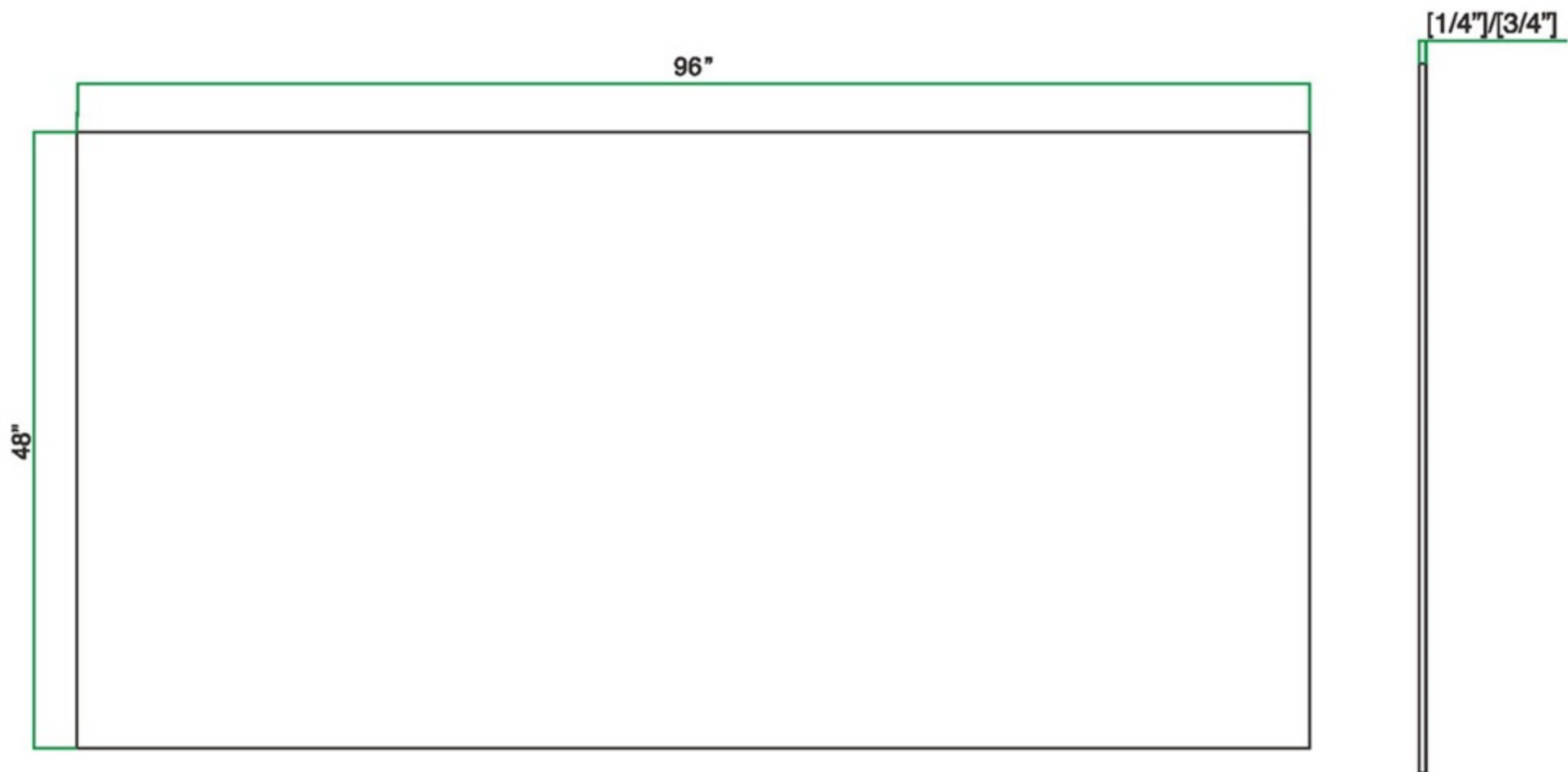
SKU	W	I	D	I	H
REP2496 3/4*	3/4		24		96
REP2796 3/4	3/4		27		96
REP3096 3/4*	3/4		30		96
REP2496-1 1/2*	1 1/2		24		96
REP2796-1 1/2	1 1/2		27		96
REP3096-1 1/2*	1 1/2		30		96

*Limited time only!

Panel/ Loose Plywood



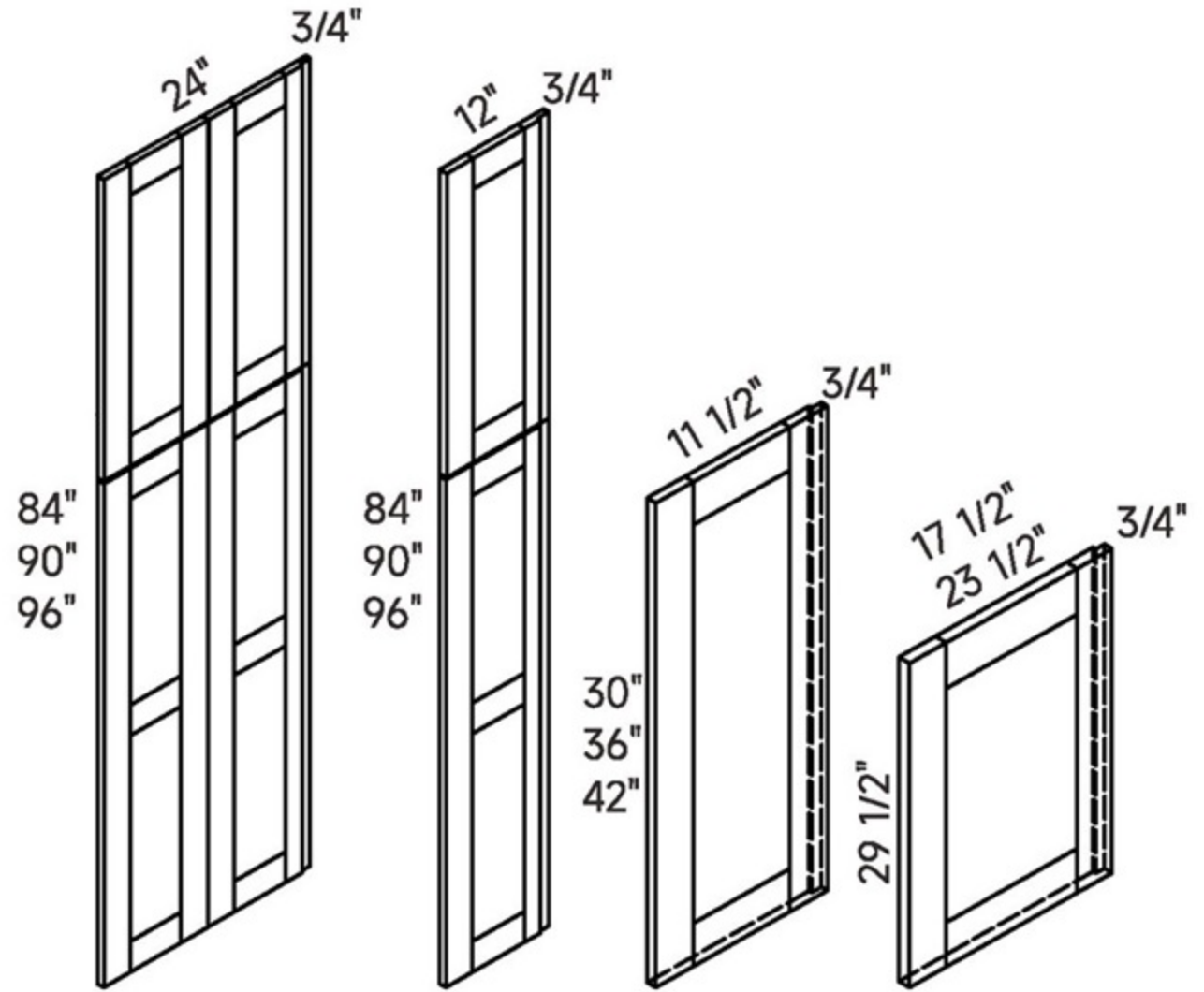
Cabinet Dimensions



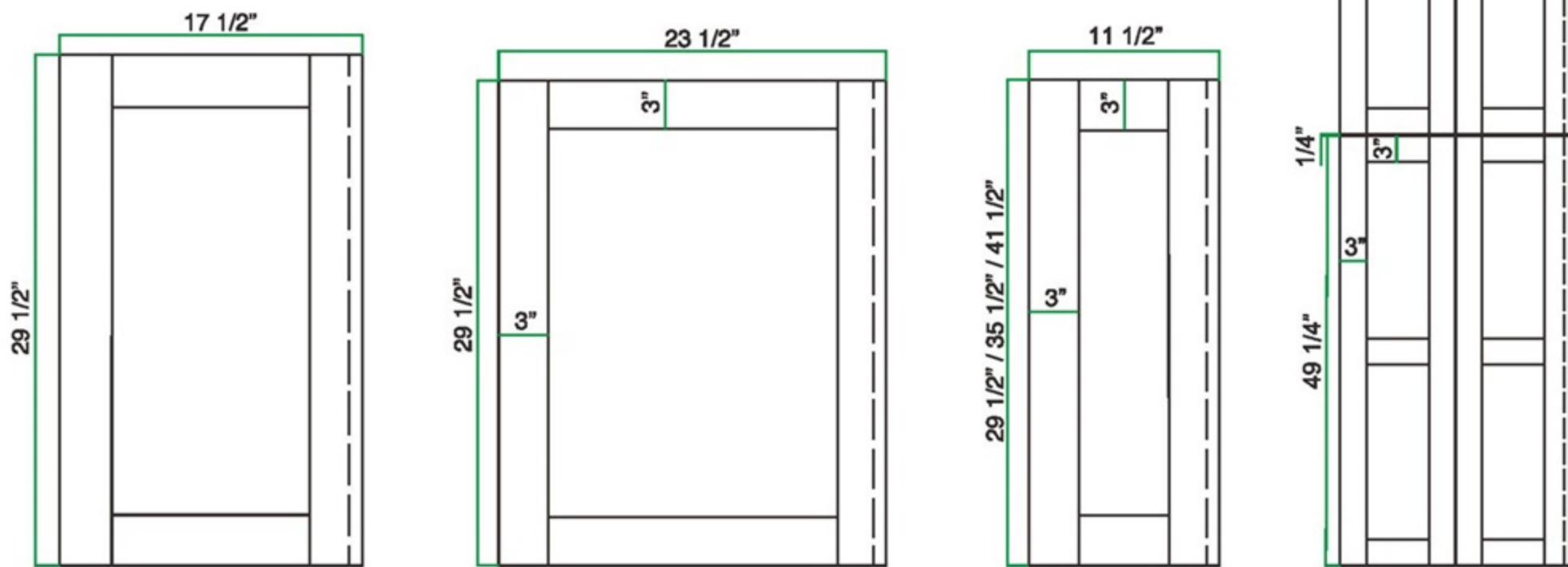
PANEL

SKU	W	H	D
PLY-48x96x1/4	1/4	48	96
PLY-48x96x3/4	3/4	48	96

Wainscot (decorative) Panel



Cabinet Dimensions



Top Doors

Bottom Doors

SKU	W	H	D	DOOR	Width W2	Height	Width W1	Height
WP-T84	23 1/2	78 3/4	3/4	4	11 3/4	29 1/2	11 3/4	49 1/4
WP-T90	23 1/2	84 3/4	3/4	4	11 3/4	35 1/2	11 3/4	49 1/4
WP-T96	23 1/2	90 3/4	3/4	4	11 3/4	41 1/2	11 3/4	49 1/4
WP-T8412D	11 3/4	78 3/4	3/4	2	11 3/4	29 1/2	11 3/4	49 1/4
WP-T9012D	11 3/4	84 3/4	3/4	2	11 3/4	35 1/2	11 3/4	49 1/4
WP-T9612D	11 3/4	90 3/4	3/4	2	11 3/4	41 1/2	11 3/4	49 1/4
WP-BASE18	17 1/2	29 1/2	3/4	1	-	-	-	-
WP-BASE24	23 1/2	29 1/2	3/4	1	-	-	-	-
WP-W30	11 1/2	29 1/2	3/4	1	-	-	-	-
WP-W36	11 1/2	35 1/2	3/4	1	-	-	-	-
WP-W42	11 1/2	41 1/2	3/4	1	-	-	-	-

802
CABINETS

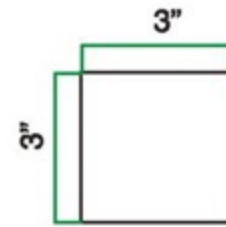
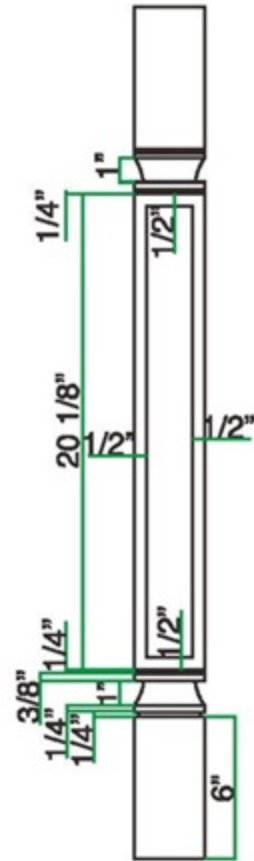
VALANCS / CORBIÉS / POST



Standard Post



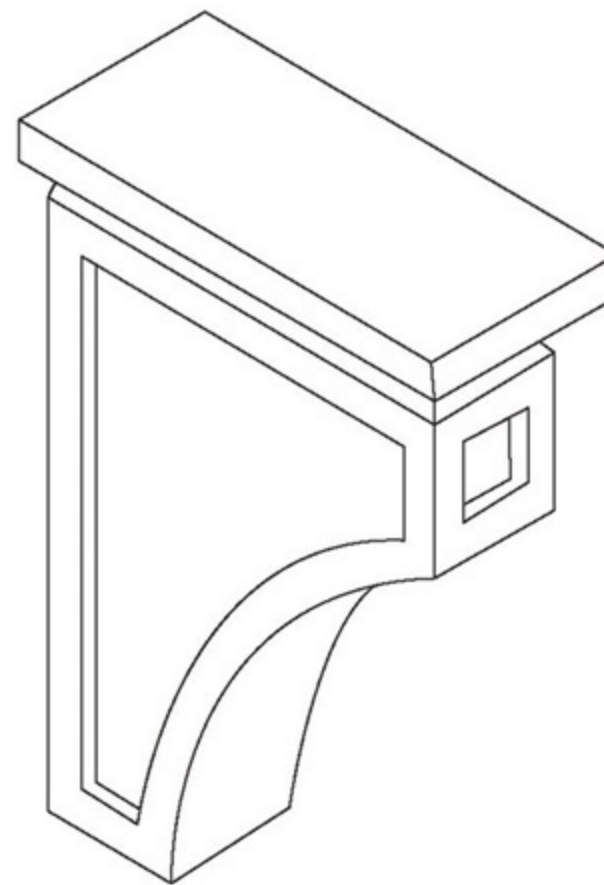
Cabinet Dimensions



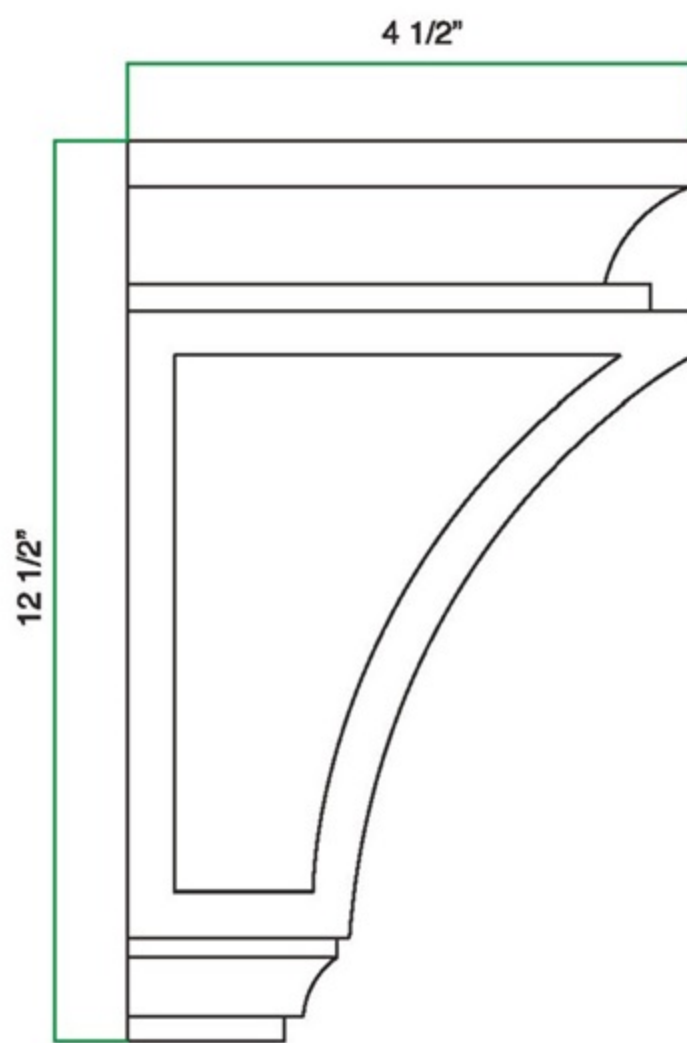
VALANCES / CORBLES / POST

SKU	W	I	D	I	H
SP336	3		3		36

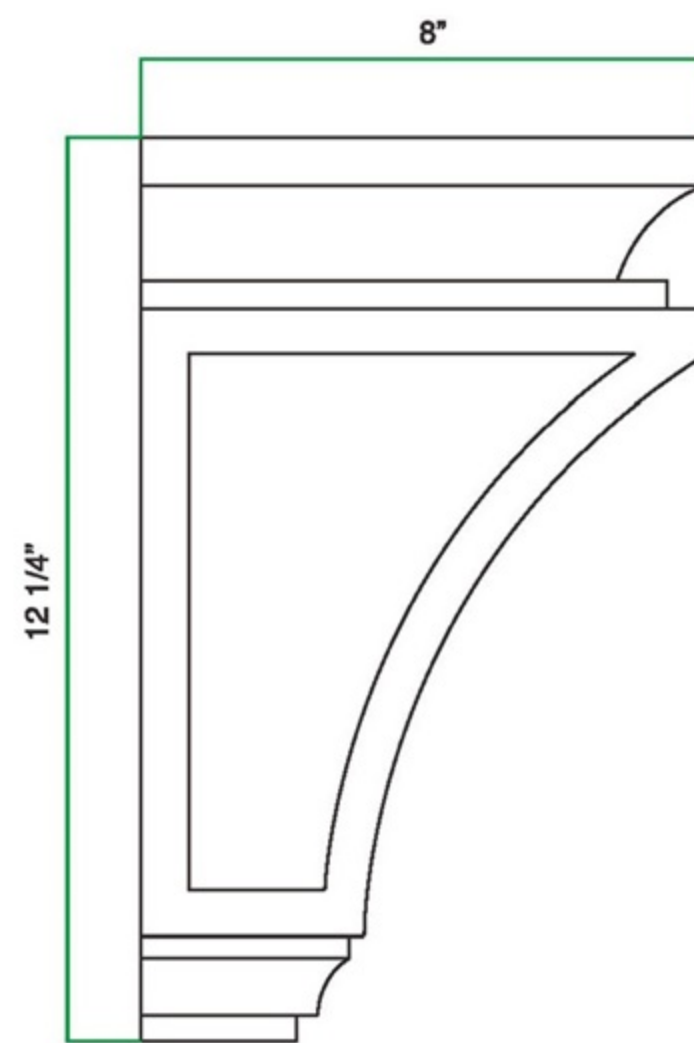
Corbels



Cabinet Dimensions



CML

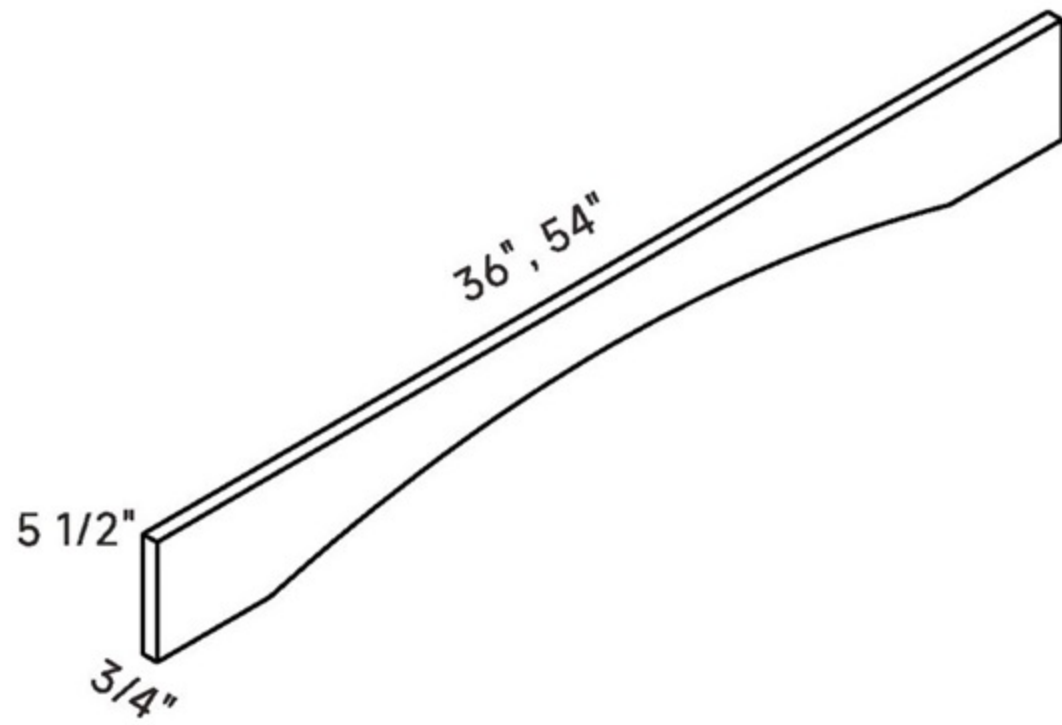


CMCB

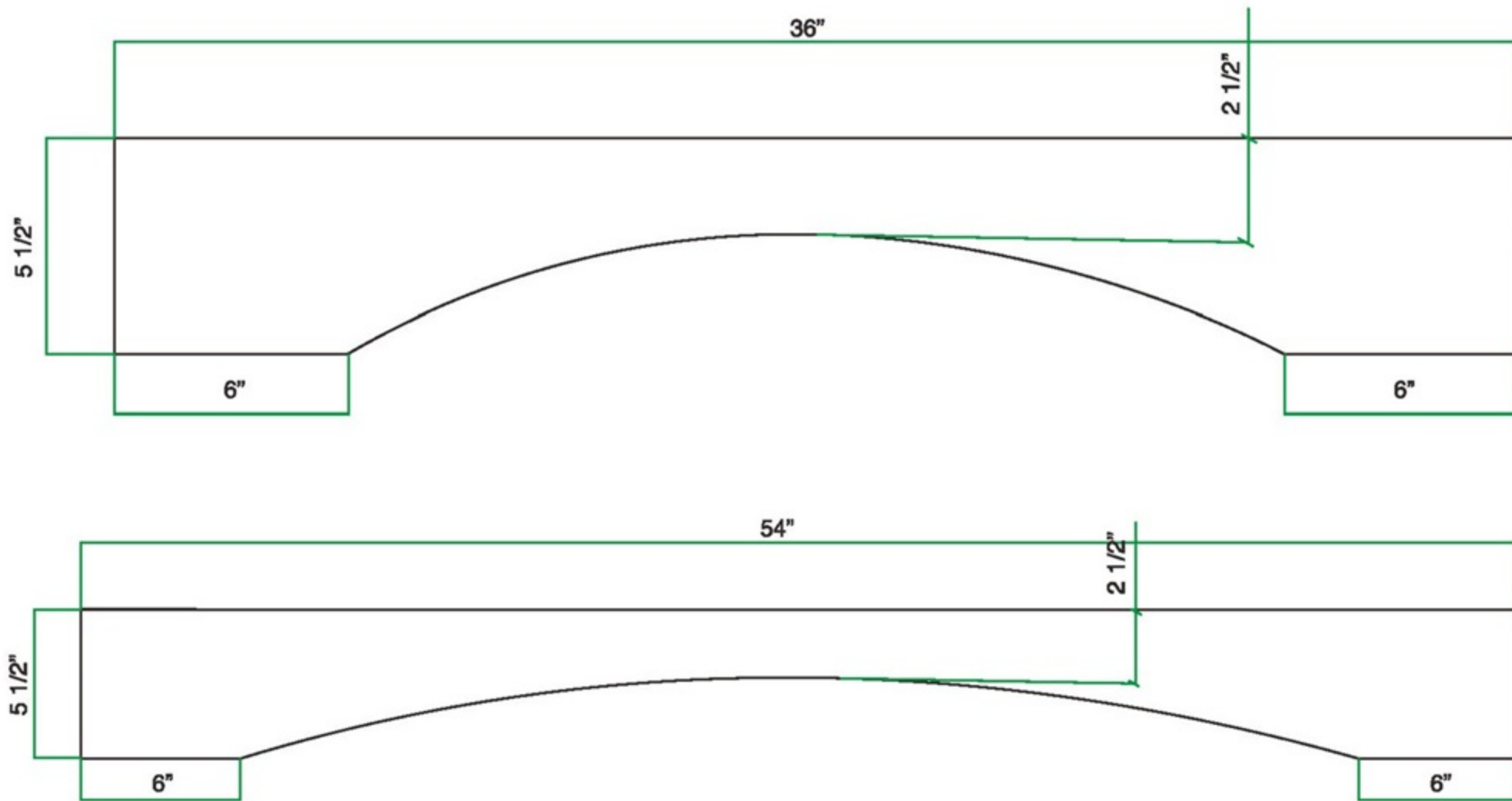
VALANCES / CORBELS / POST

SKU	W	I	D	I	H
CMCB	3 1/2		8		12 1/4
CML	5 1/4		4 1/2		12 1/2

Arched Valances



Cabinet Dimensions

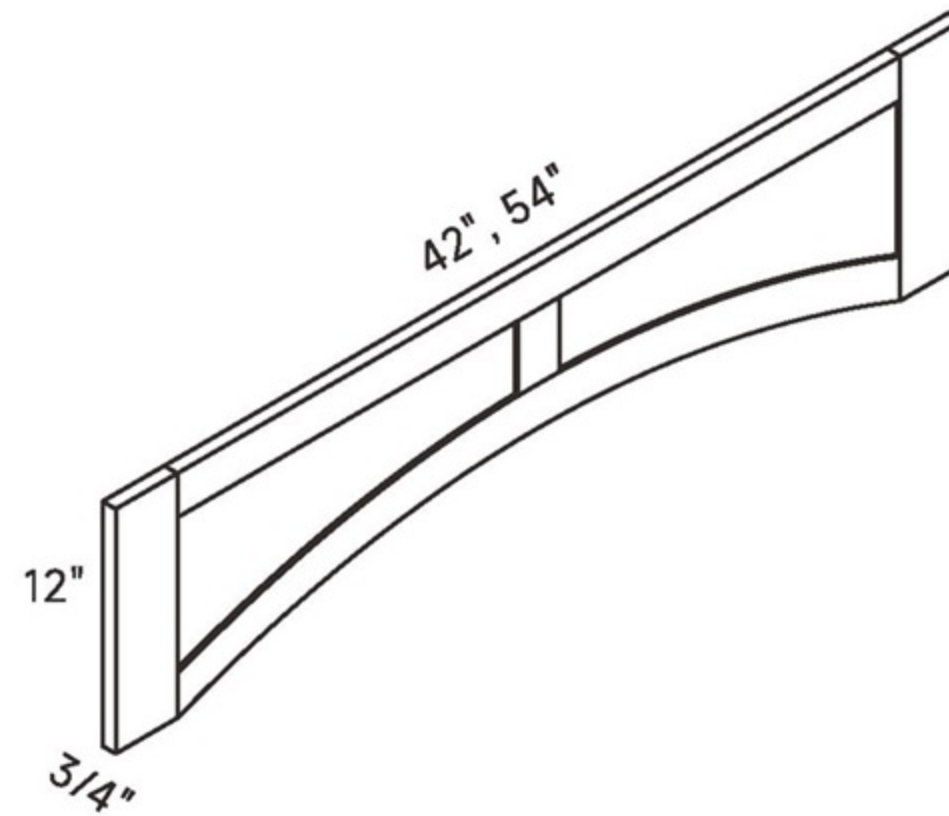


VALANCES / CORBLES / POST

SKU	W	I	D	I	H
VAR36	36		3/4		5 1/2
VAR54	54		3/4		5 1/2

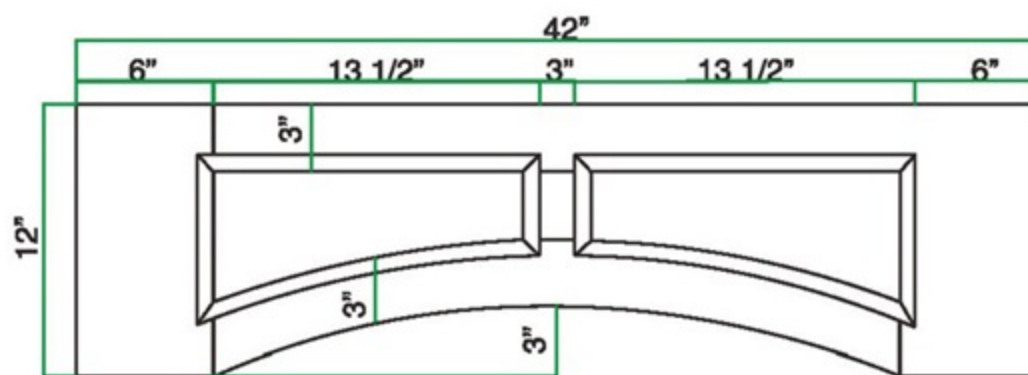
Can Be Trimmed Up To 3" On Each Side

Arched-Recessed Valances

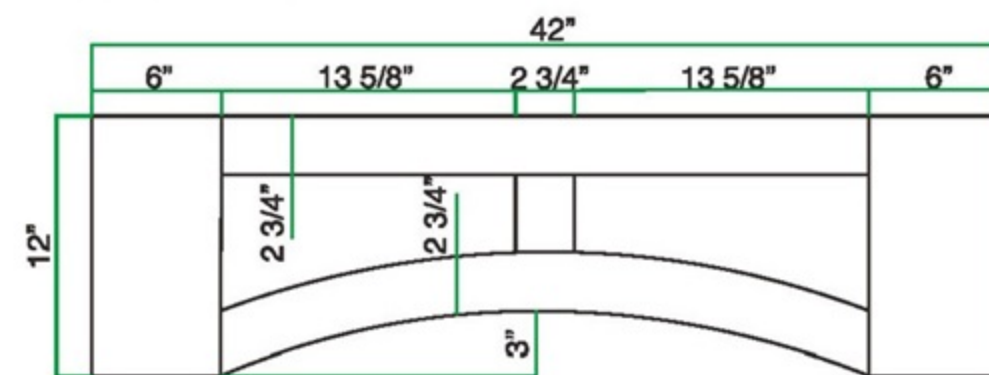


Cabinet Dimensions

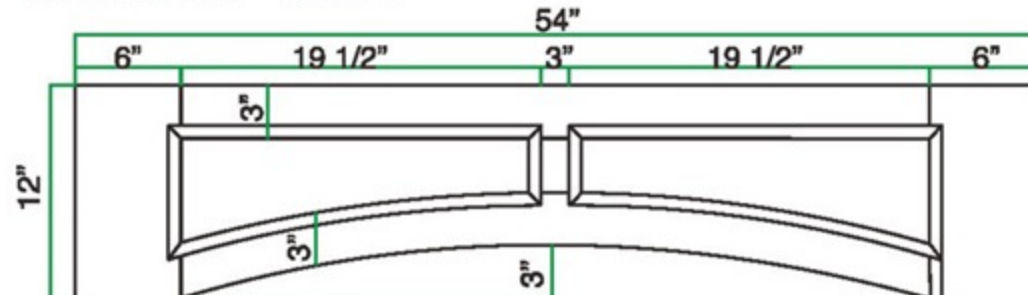
Bolton Series - VARP42



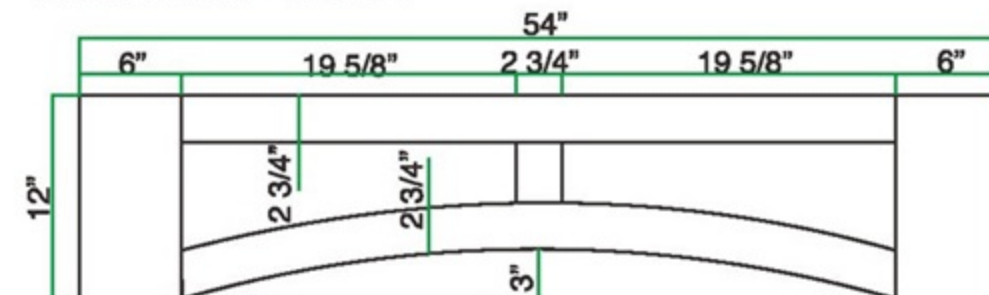
Stowe Series - VARP42



Bolton Series - VARP54



Stowe Series - VARP54



SKU	W	I	D	I	H
VARP42	42		3/4		12
VARP54	54		3/4		12

Can Be Trimmed Up To 3" On Each Side

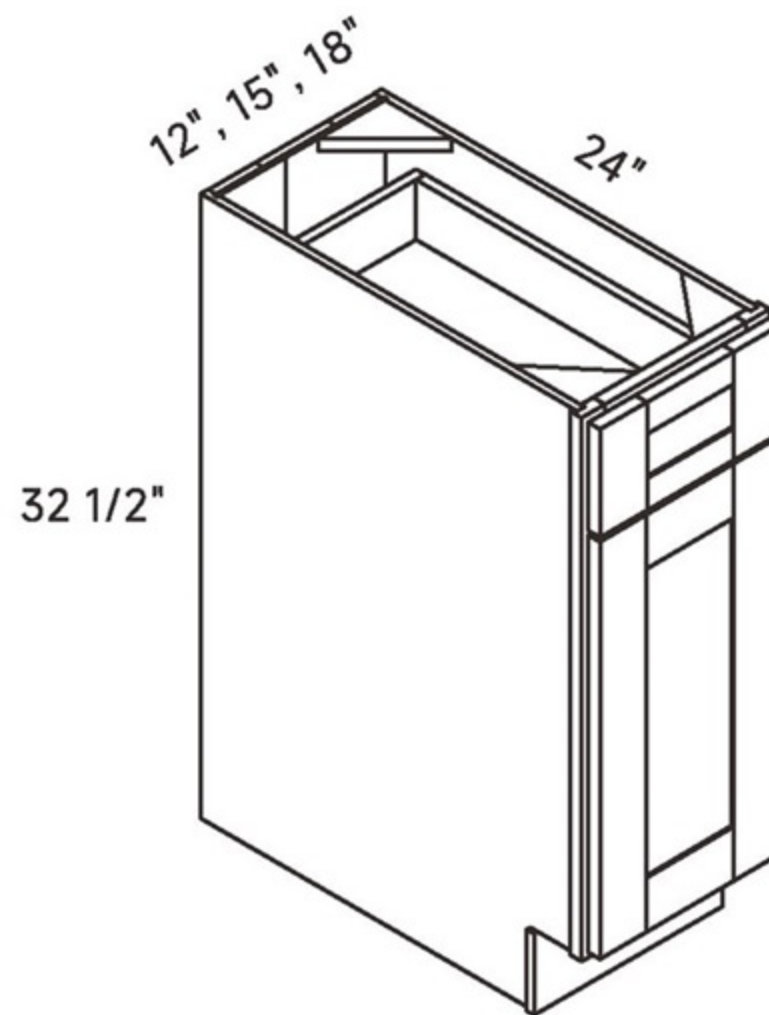
VALANCES / CORBLES / POST

802
CABINETRY

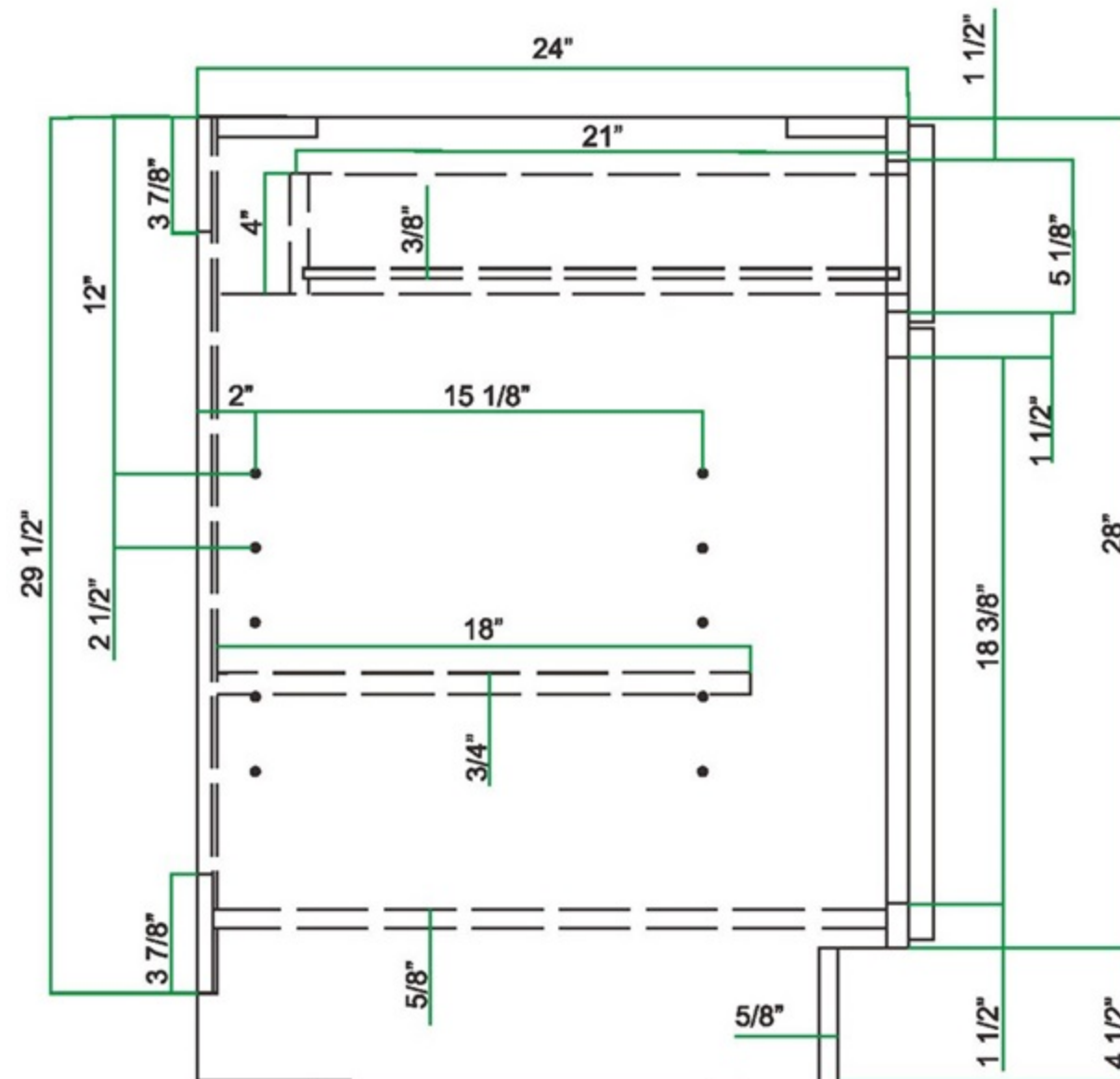
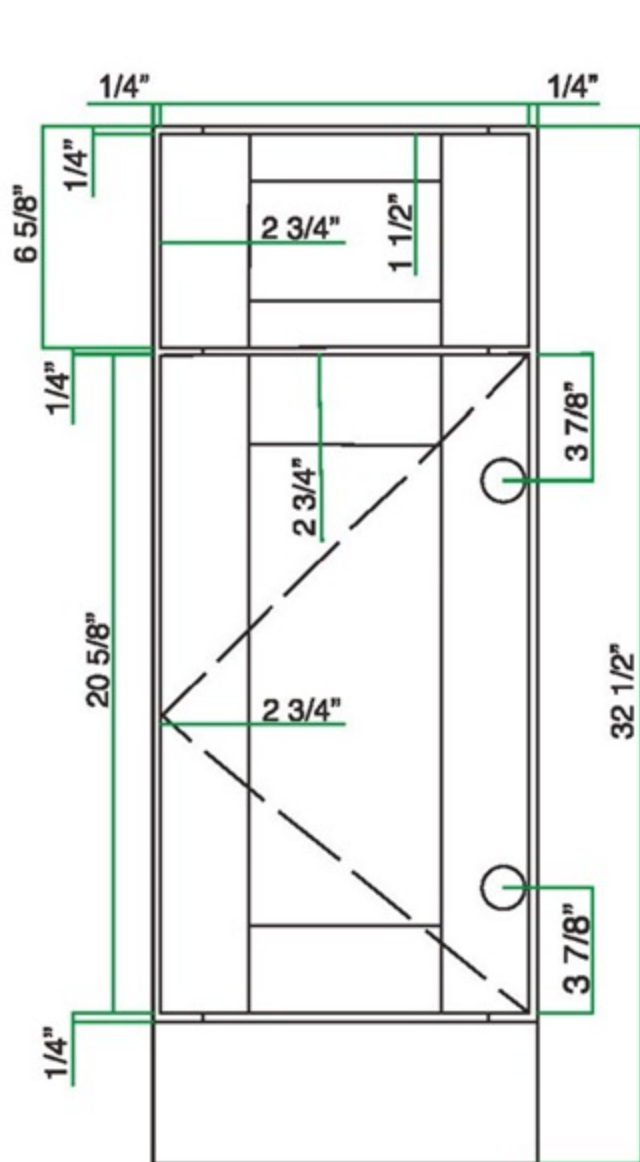


WHEEL CHAIR ACCESSIBLE (ADA) CABINET
WHEEL CHAIR ACCESSIBLE (ADA) CABINET
WHEEL CHAIR ACCESSIBLE (ADA) CABINET

ADA Base Cabinet



Cabinet Dimensions



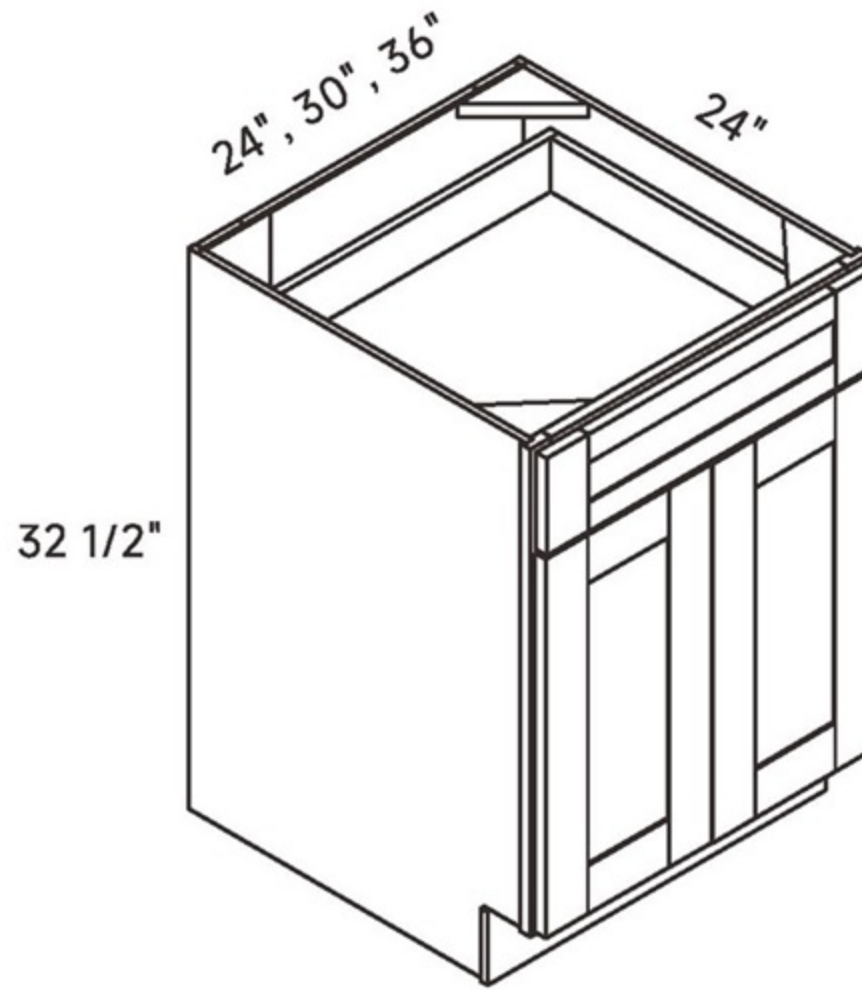
SKU	W	H	D	DOOR	Shelves	Opening		Door		Drawer opening		Drawer front size	
						Width	Height	Width	Height	Width	Height	Width	Height
ADA-B12	12	32 1/2	24	1	1	9	18 3/8	11 1/2	20 5/8	9	5 1/8	11 1/2	6 5/8
ADA-B15	15	32 1/2	24	1	1	12	18 3/8	14 1/2	20 5/8	12	5 1/8	14 1/2	6 5/8
ADA-B18	18	32 1/2	24	1	1	15	18 3/8	17 1/2	20 5/8	15	5 1/8	17 1/2	6 5/8

Only available in Stowe White & Stowe Light Gray

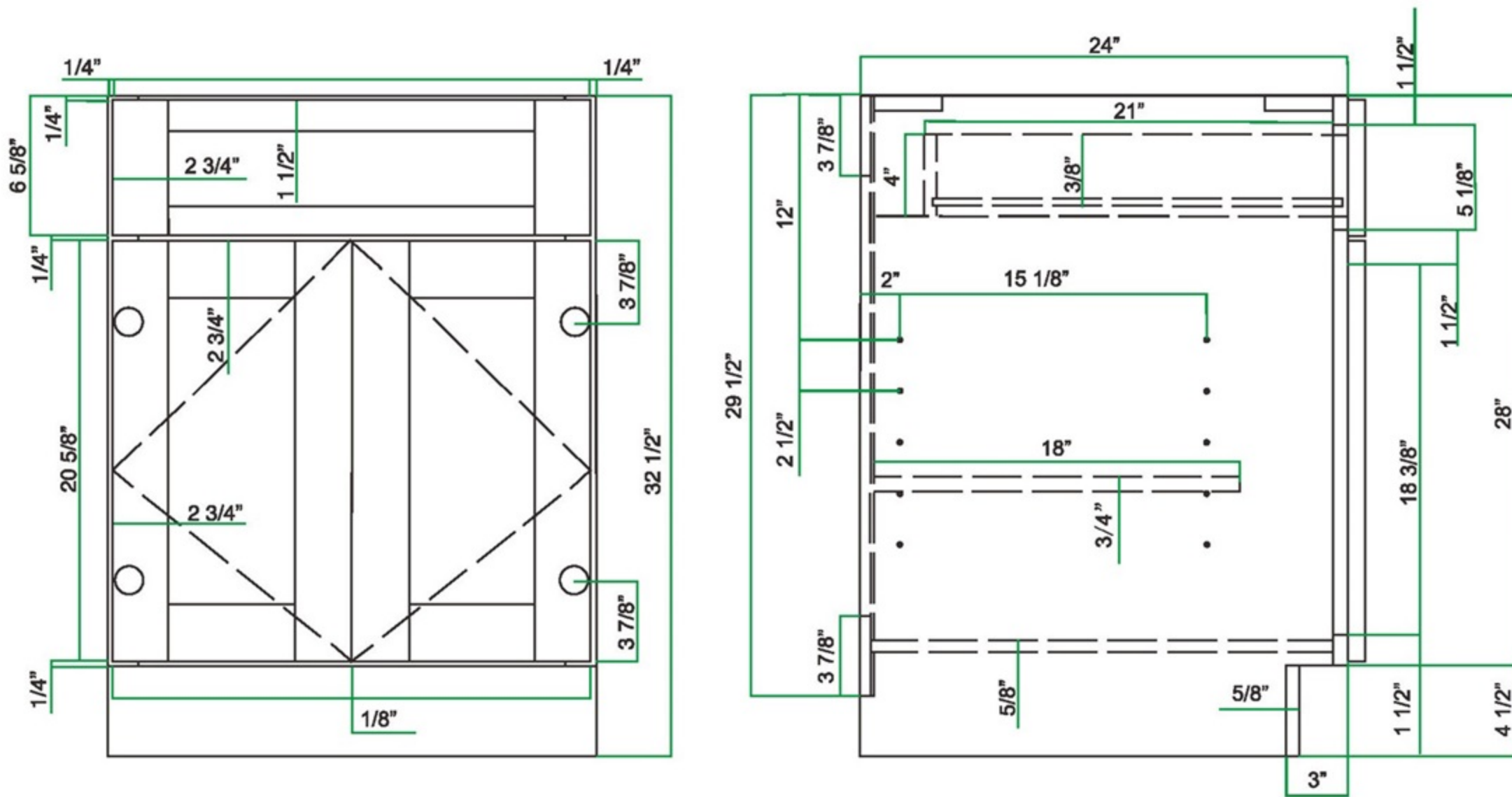
(ADA) CABINET



ADA Base Cabinet



Cabinet Dimensions



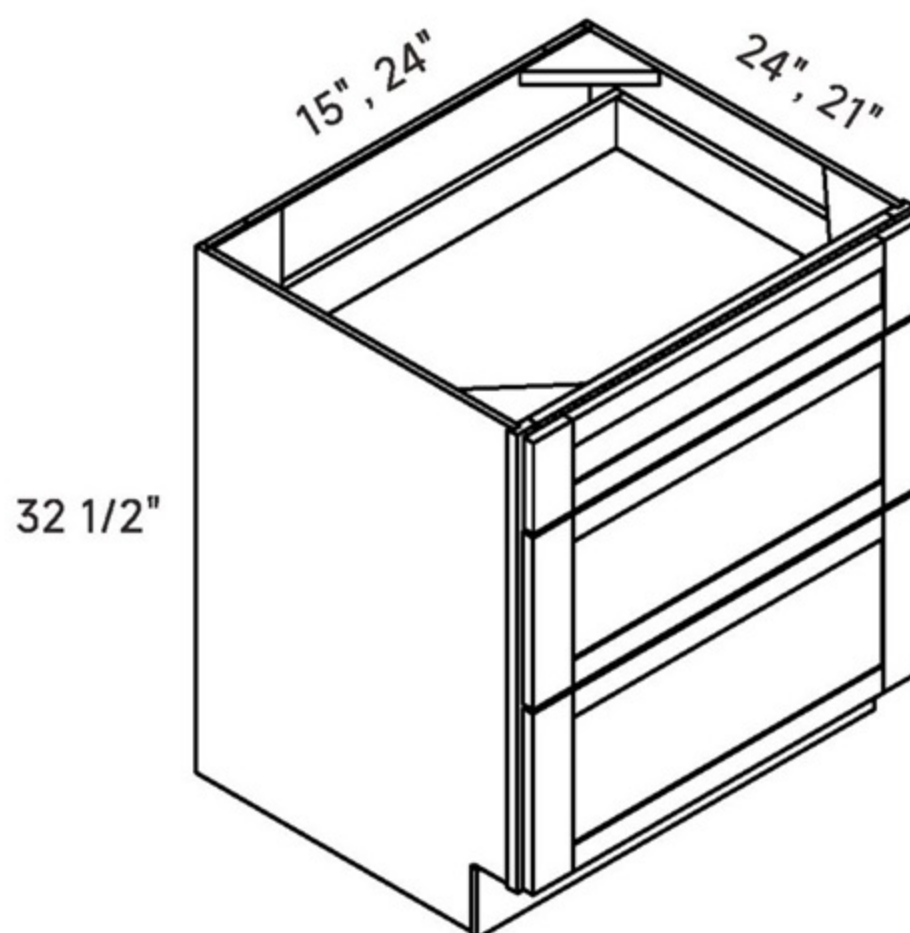
ADA CABINET

SKU	W	H	D	DOOR	Shelves	Opening		Door		Drawer opening		Drawer front size	
						Width	Height	Width	Height	Width	Height	Width	Height
ADA-B24	24	32 1/2	24	2	1	21	18 3/8	11 3/4	20 5/8	21	5 1/8	23 1/2	6 5/8
ADA-B30	30	32 1/2	24	2	1	27	18 3/8	11 3/4	20 5/8	27	5 1/8	29 1/2	6 5/8
ADA-B36	36	32 1/2	24	2	1	33	18 3/8	11 3/4	20 5/8	33	5 1/8	35 1/2	6 5/8

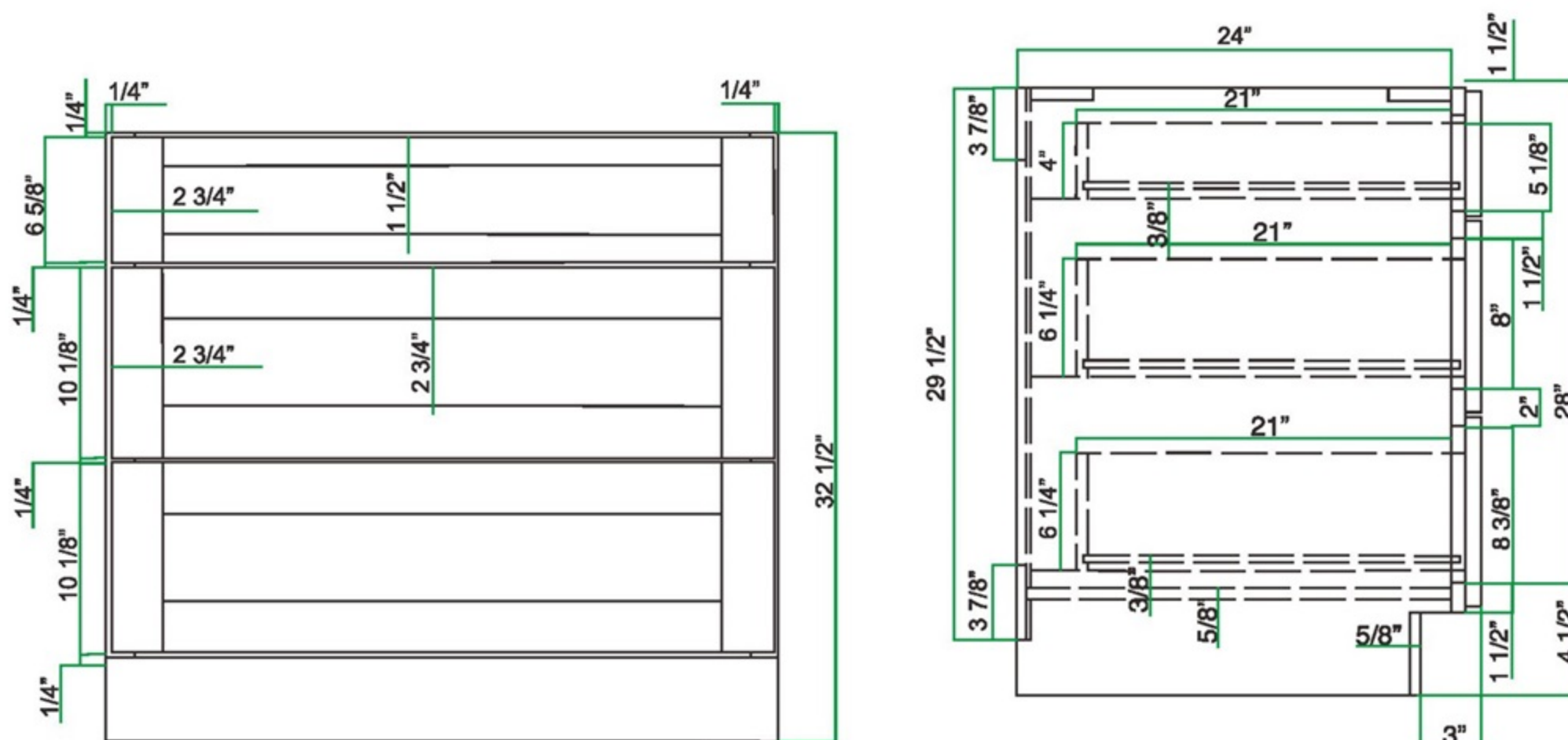
Only available in Stowe White & Stowe Light Gray



ADA Base Cabinet



Cabinet Dimensions



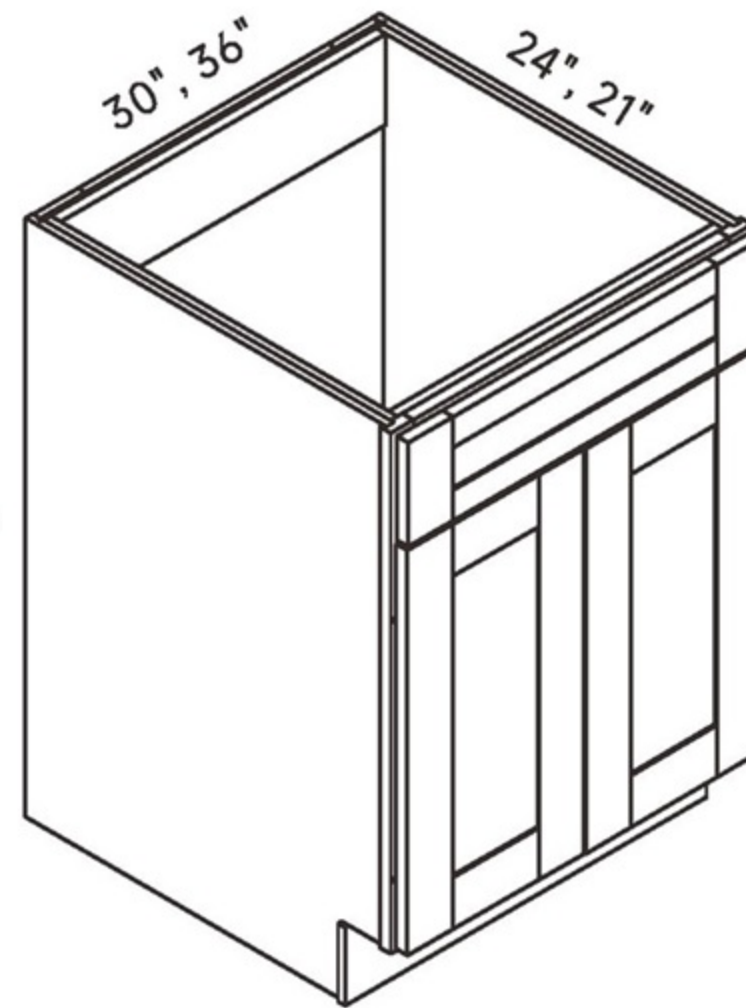
SKU	W	H	D	#of Drawers	Opening			Door			Drawer opening		Drawer front size	
					Width	Height 1	Height 2	Height 3	Width	Height 1	Height 2	Height 3	Width	Height 1
ADA-DB15	15	32 1/2	24	3	12	5 1/8	8	8 3/8	14 1/2	6 5/8	10 1/8	10 1/8	10 1/8	
ADA-DB24	24	32 1/2	24	3	21	5 1/8	8	8 3/8	23 1/2	6 5/8	10 1/8	10 1/8	10 1/8	
ADA-VDB15	15	32 1/2	21	3	12	5 1/8	8	8 3/8	14 1/2	6 5/8	10 1/8	10 1/8	10 1/8	

Only available in Stowe White & Stowe Light Gray

(ADA) CABINET

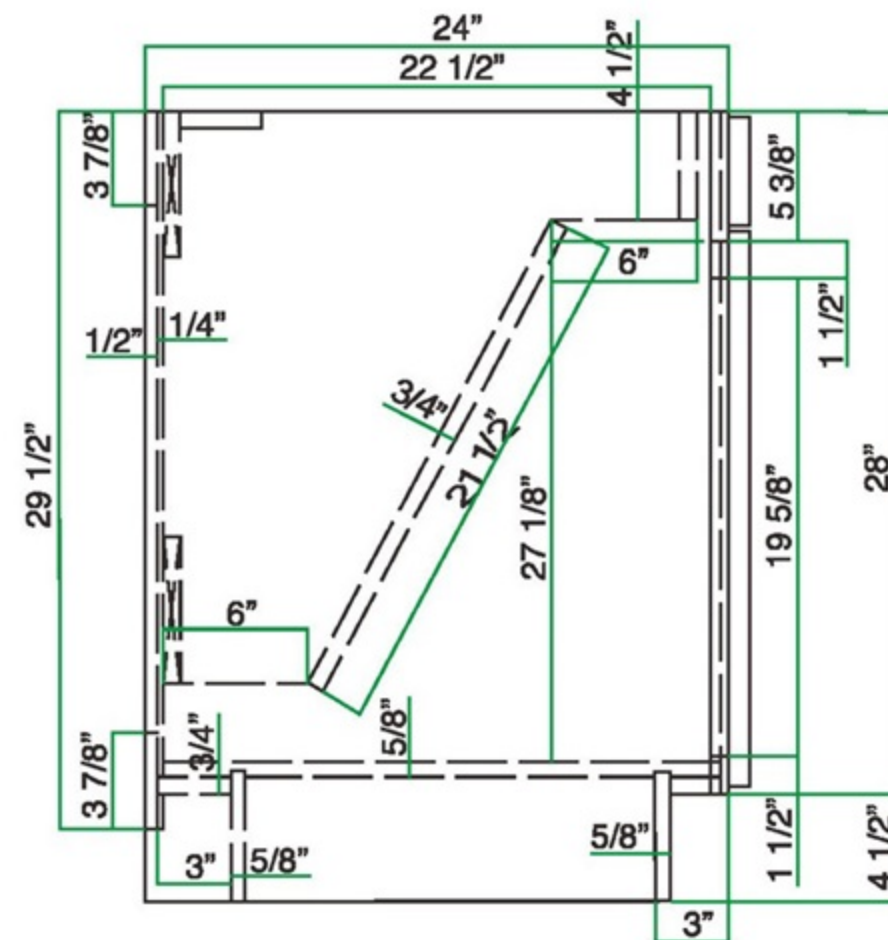
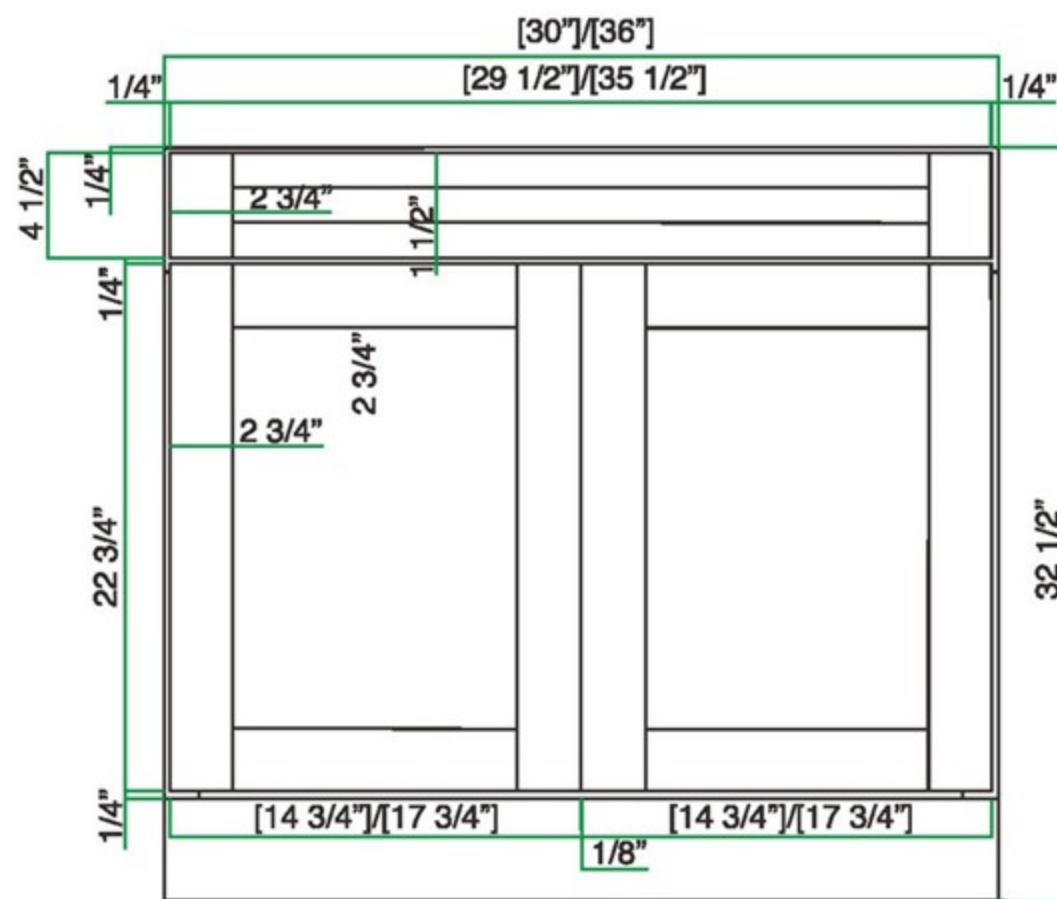


ADA Base Cabinet



32 1/2"

Cabinet Dimensions



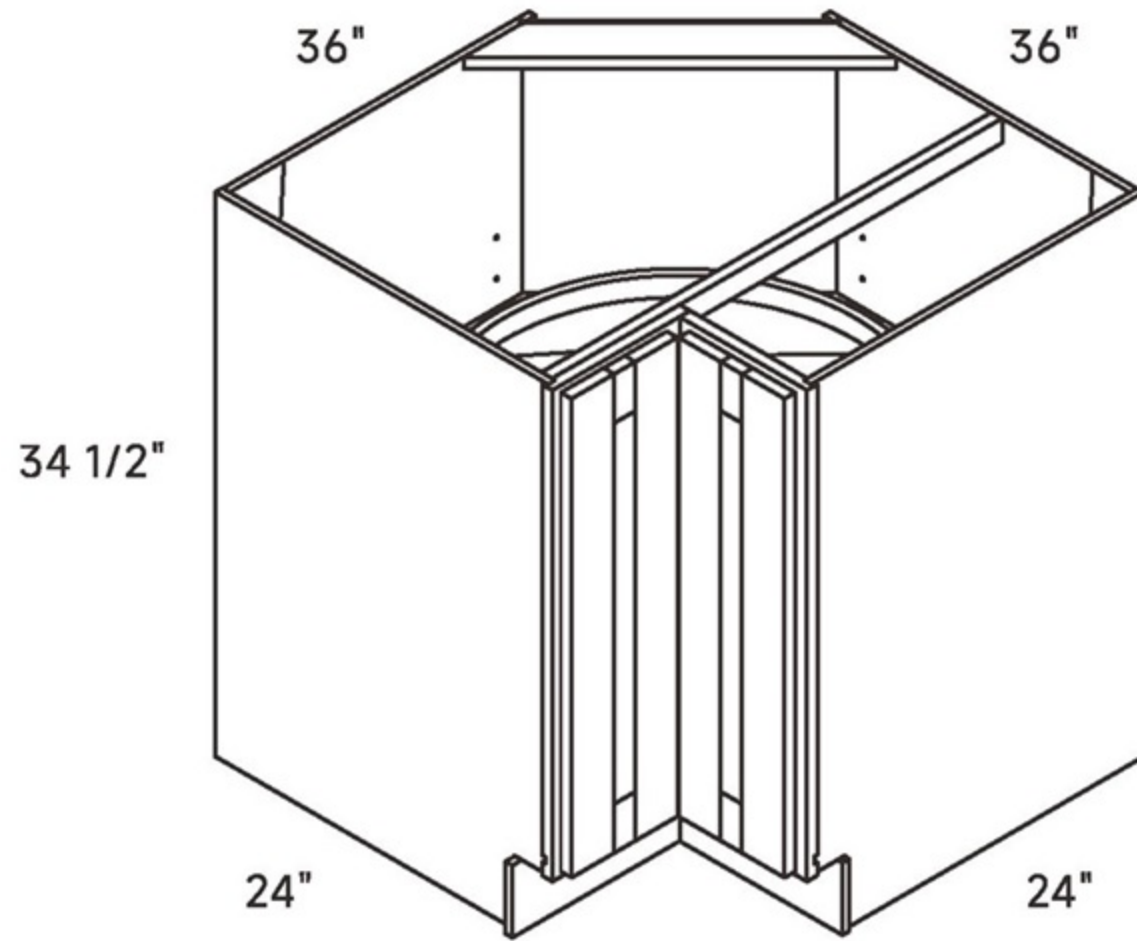
(ADA) CABINET

SKU	W	H	D	Door	False Drawer	Door Opening		Door	
						Width	Height	Width	Height
ADA-SB30	30	32 1/2	24	2	1	27	19 5/8	14 3/4	22 3/4
ADA-SB36	36	32 1/2	24	2	1	33	19 5/8	17 3/4	22 3/4
ADA-VSB30	30	32 1/2	21	2	1	27	19 5/8	14 3/4	22 3/4

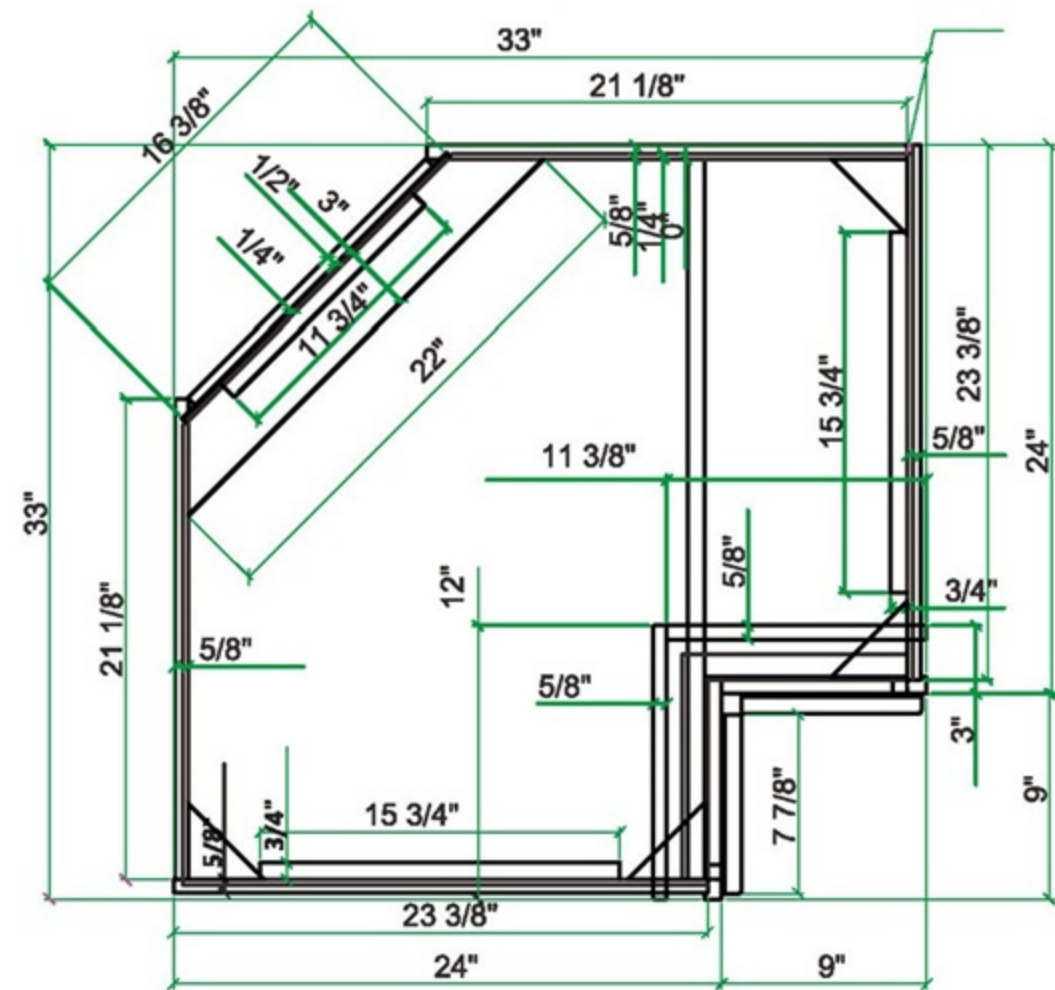
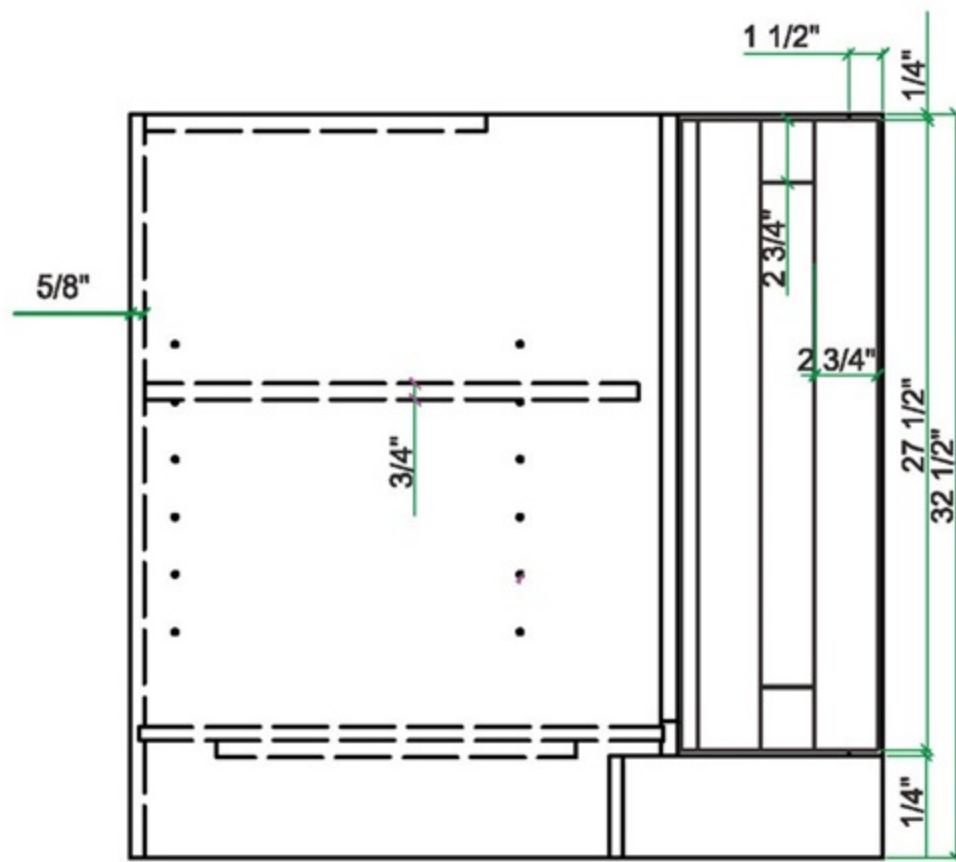
Only available in Stowe White & Stowe Light Gray



ADA Lazy Susan & Easy Reach



Cabinet Dimensions

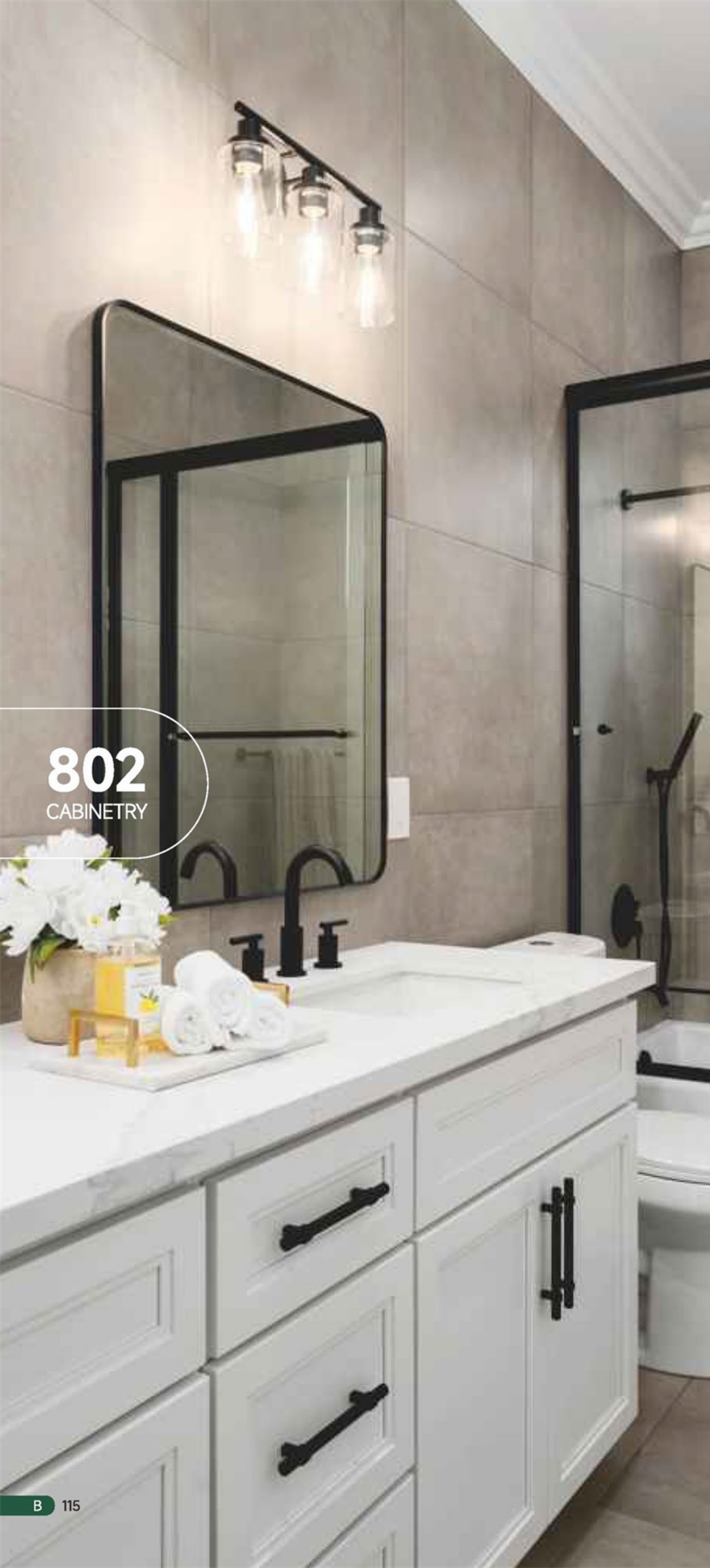


SKU	W	H	D	DOOR	Door Opening		Door	
					Width W2	Height	Width W1	Height
ADA-LSB36	36	32 1/2	24	1		27		29 1/2

Only available in Stowe White & Stowe Light Gray

(ADA) CABINET





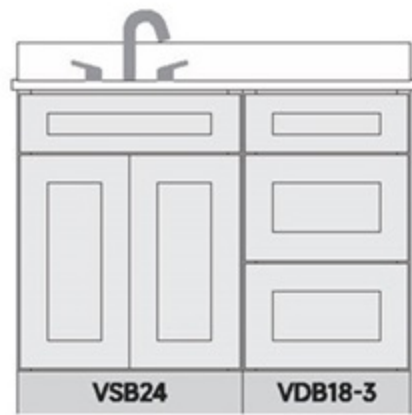
802
CABINETS

STANDARD VANITY

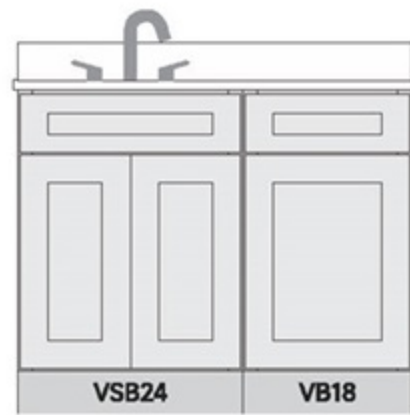
STANDARD VANITY



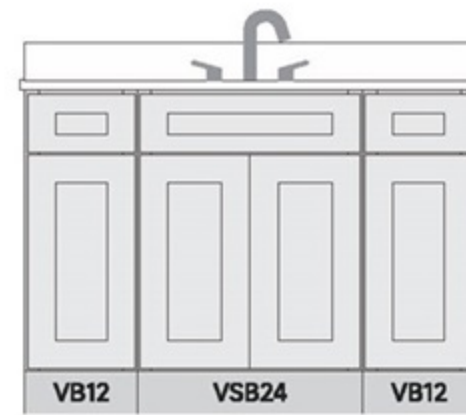
36" Overall Width



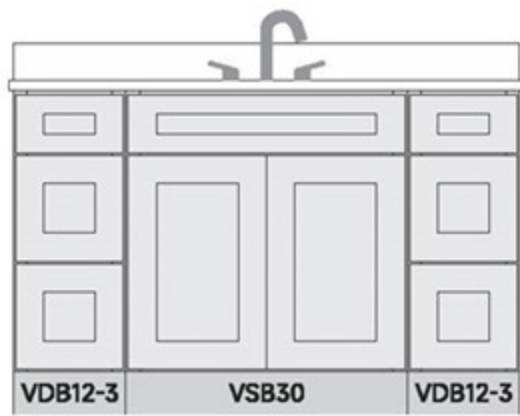
42" Overall Width



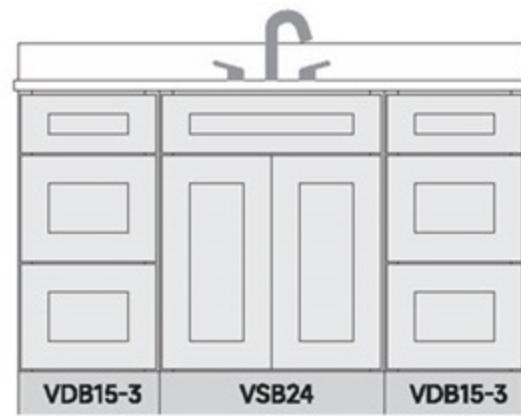
42" Overall Width



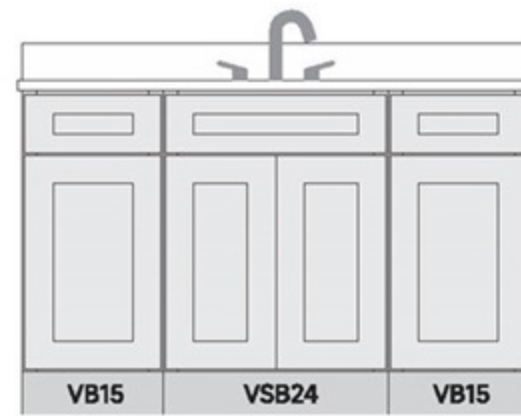
48" Overall Width



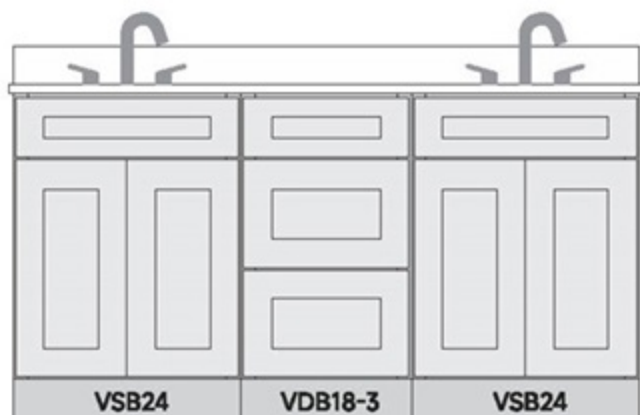
54" Overall Width



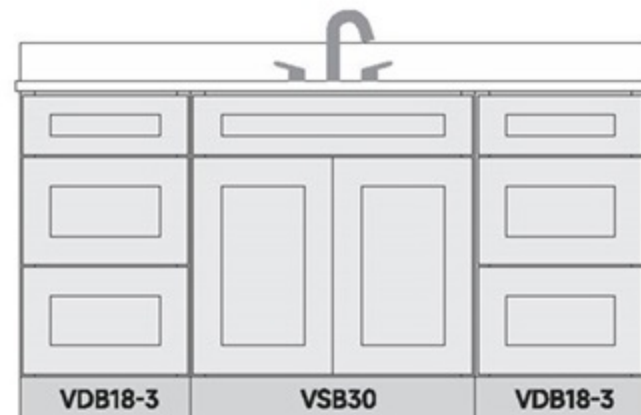
54" Overall Width



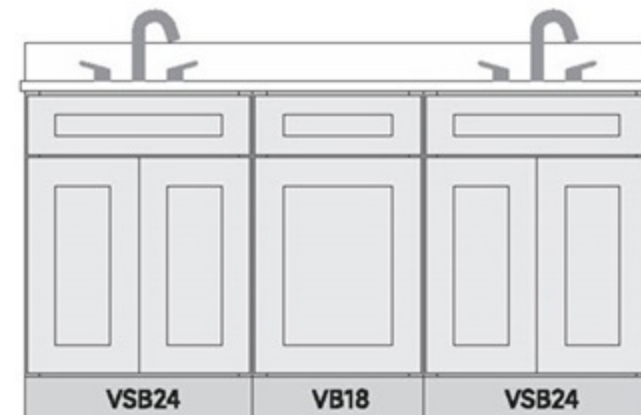
54" Overall Width



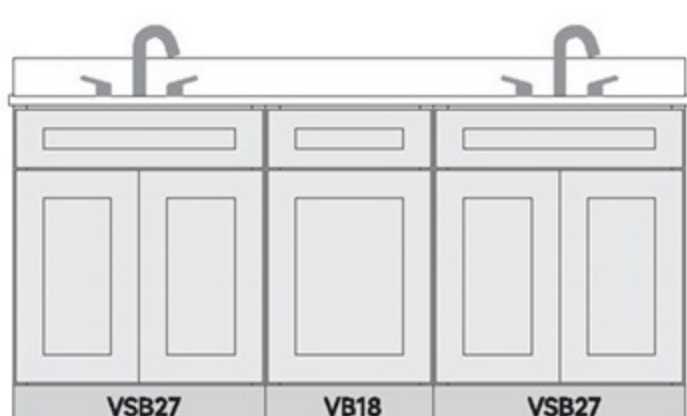
66" Overall Width



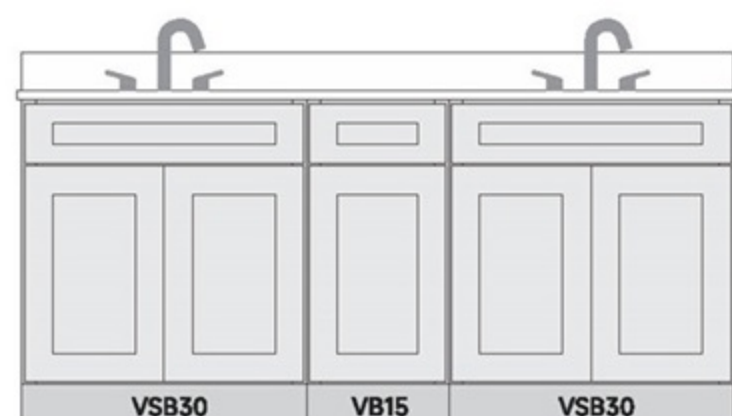
66" Overall Width



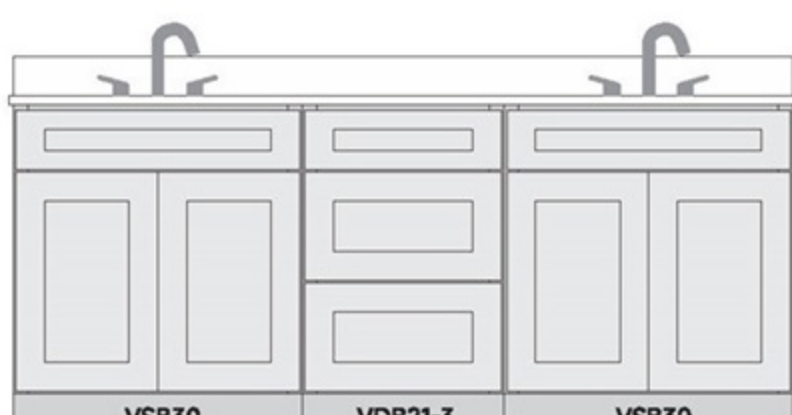
66" Overall Width



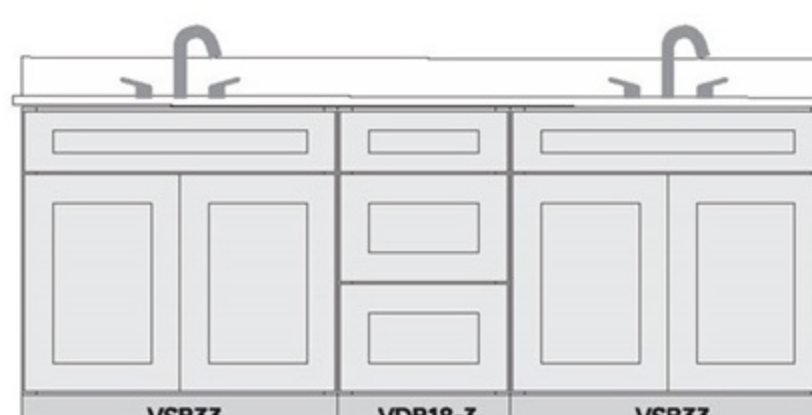
72" Overall Width



75" Overall Width



81" Overall Width

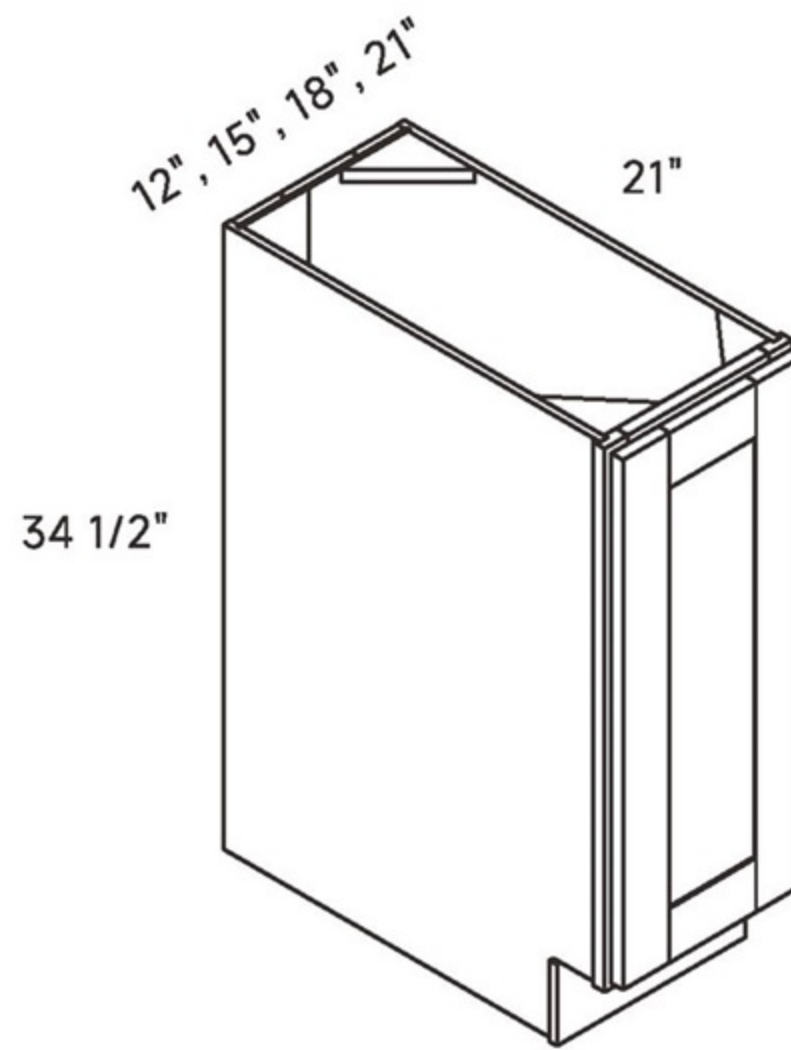


84" Overall Width

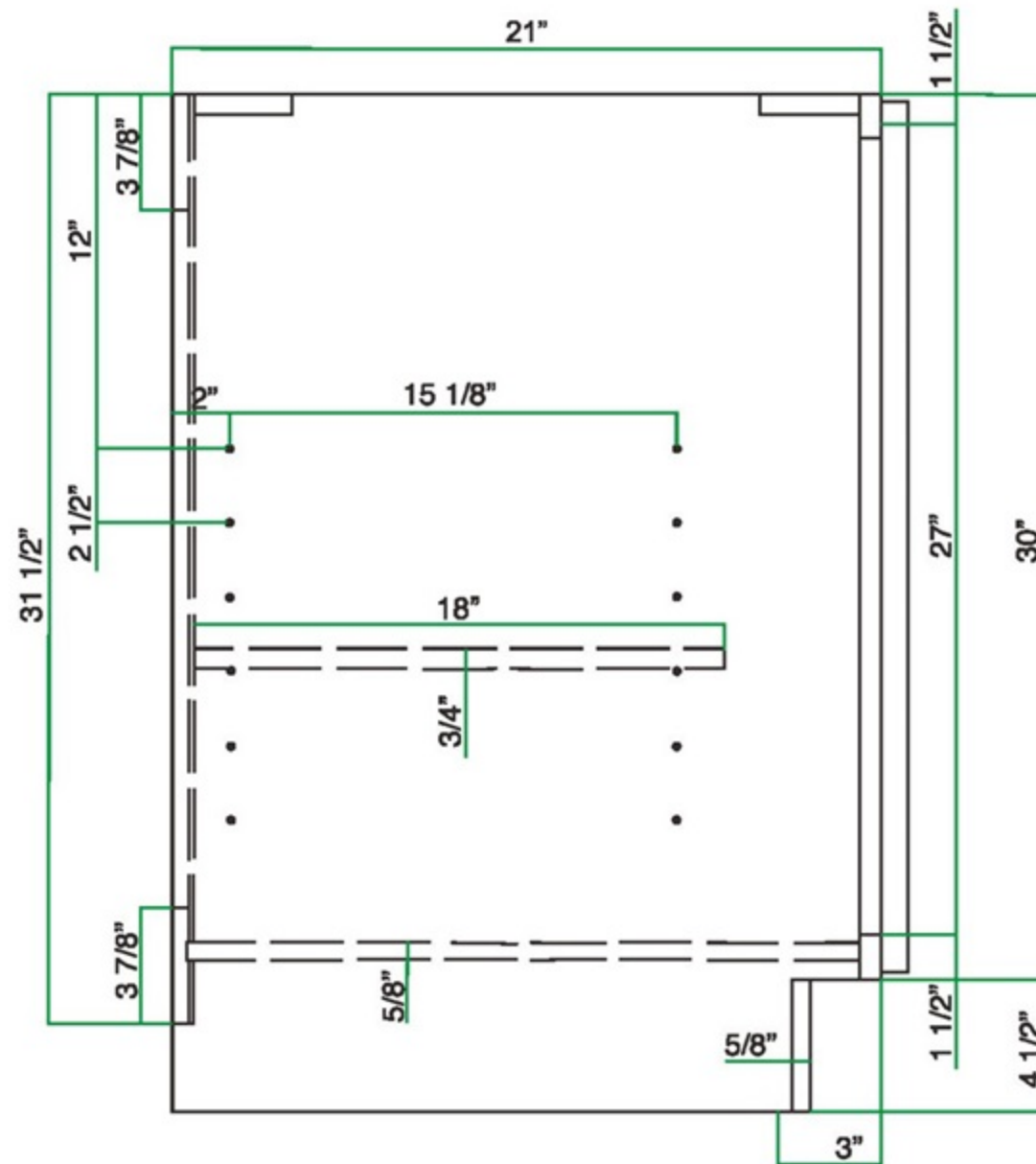
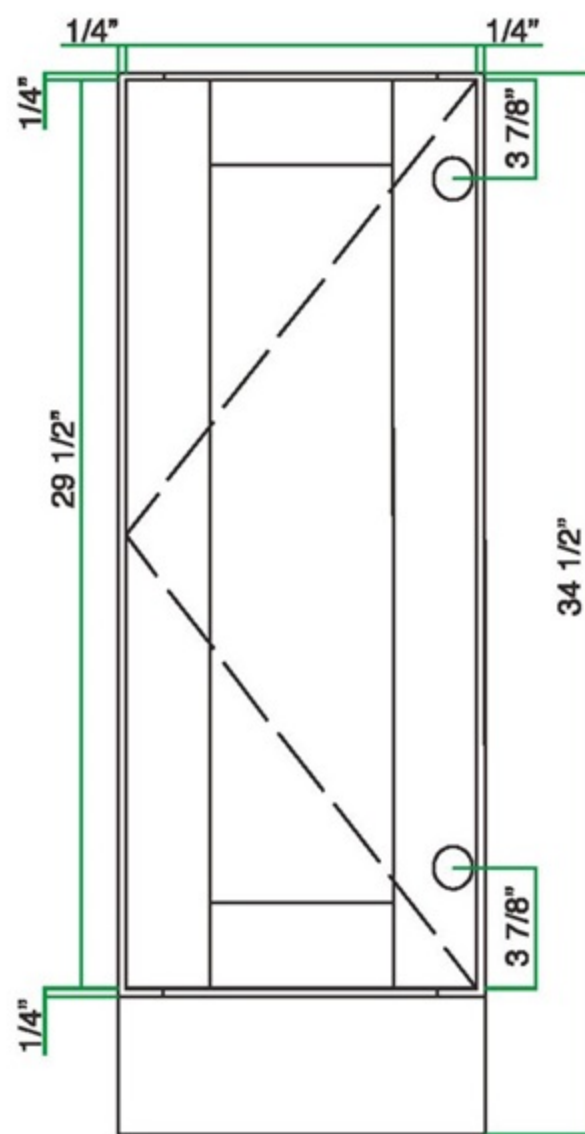


Vanity Base Cabinets Full Height Single Door (Custom)

STANDARD VANITY



Cabinet Dimensions

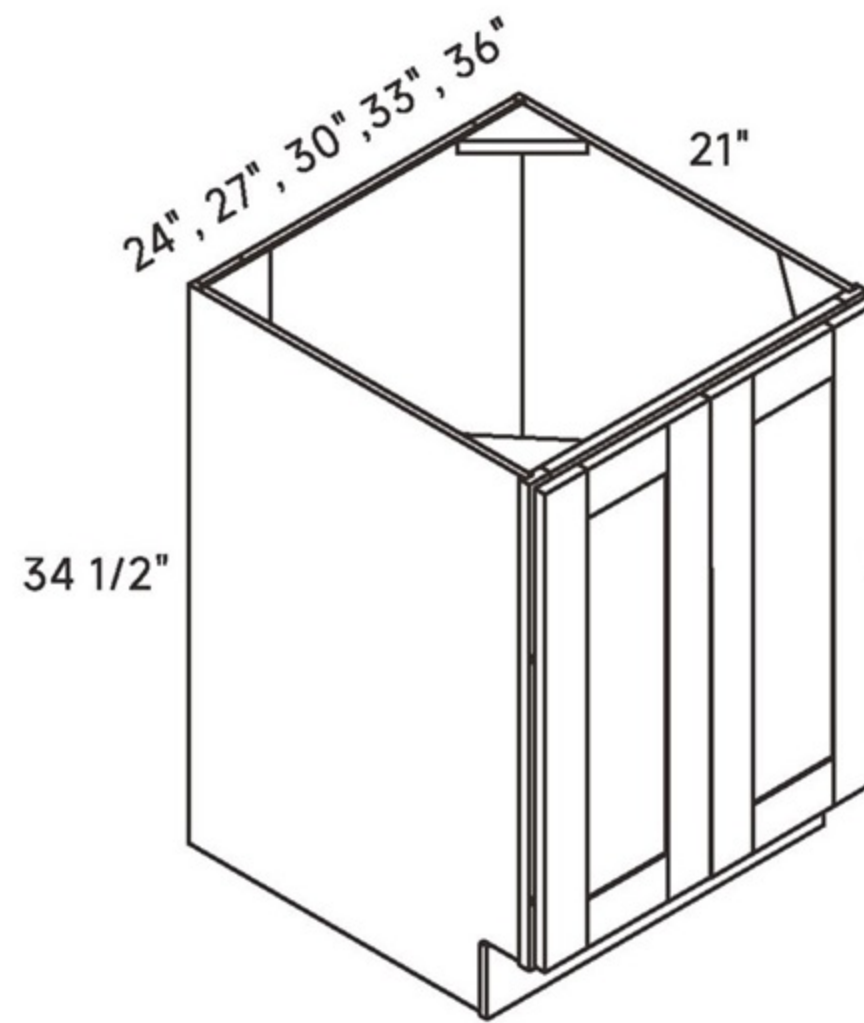


SKU	W	H	D	Door	Shelves	Opening		Door	
						Width	Height	Width	Height
VBF1221	12	34 1/2	21	1	1	9	27	11 1/2	29 1/2
VBF1521	15	34 1/2	21	1	1	12	27	14 1/2	29 1/2
VBF1821	18	34 1/2	21	1	1	15	27	17 1/2	29 1/2
VBF2121	21	34 1/2	21	1	1	18	27	20 1/2	29 1/2

Roll-out is available, see page B-130.
Additional lead time required.

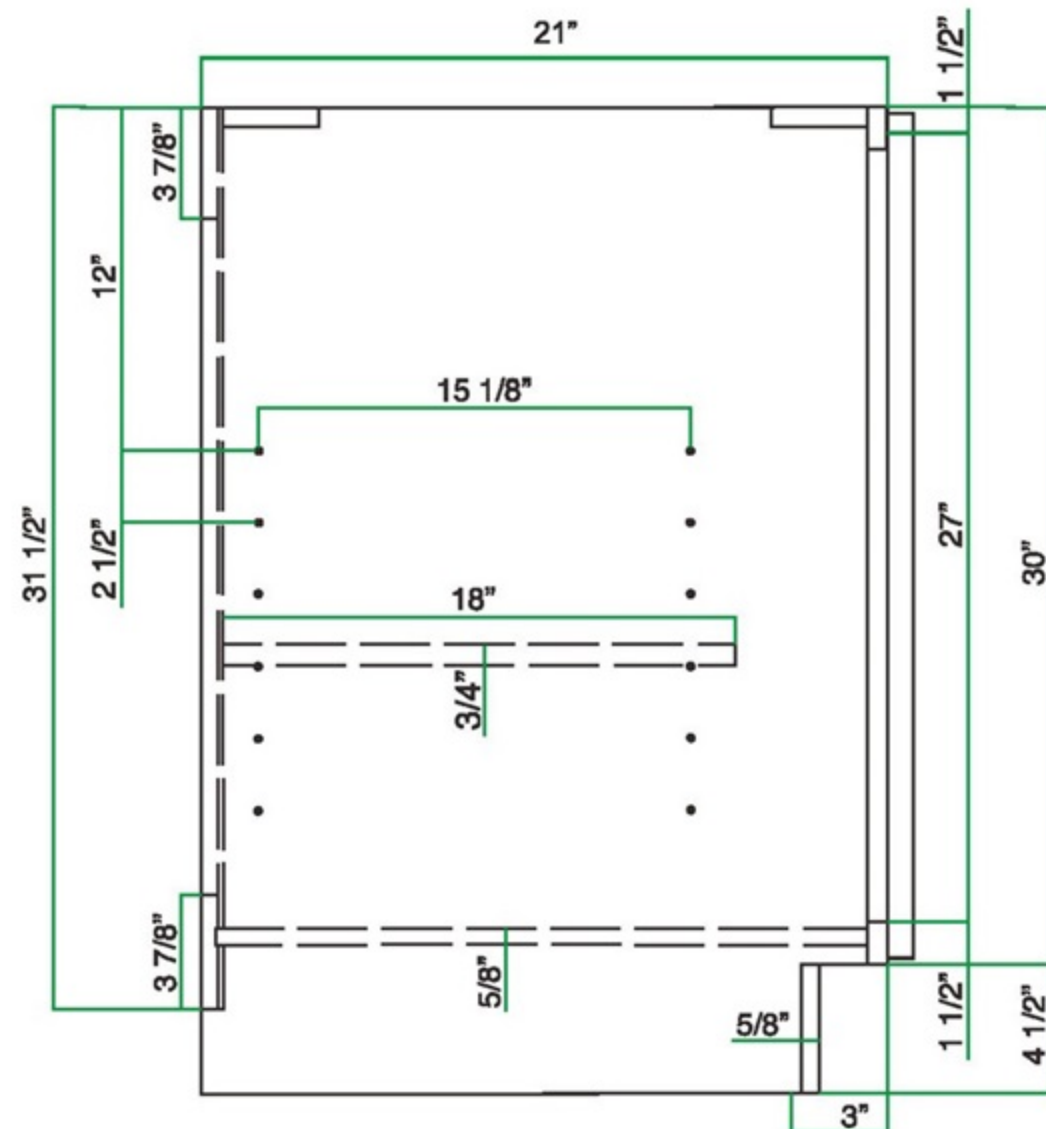
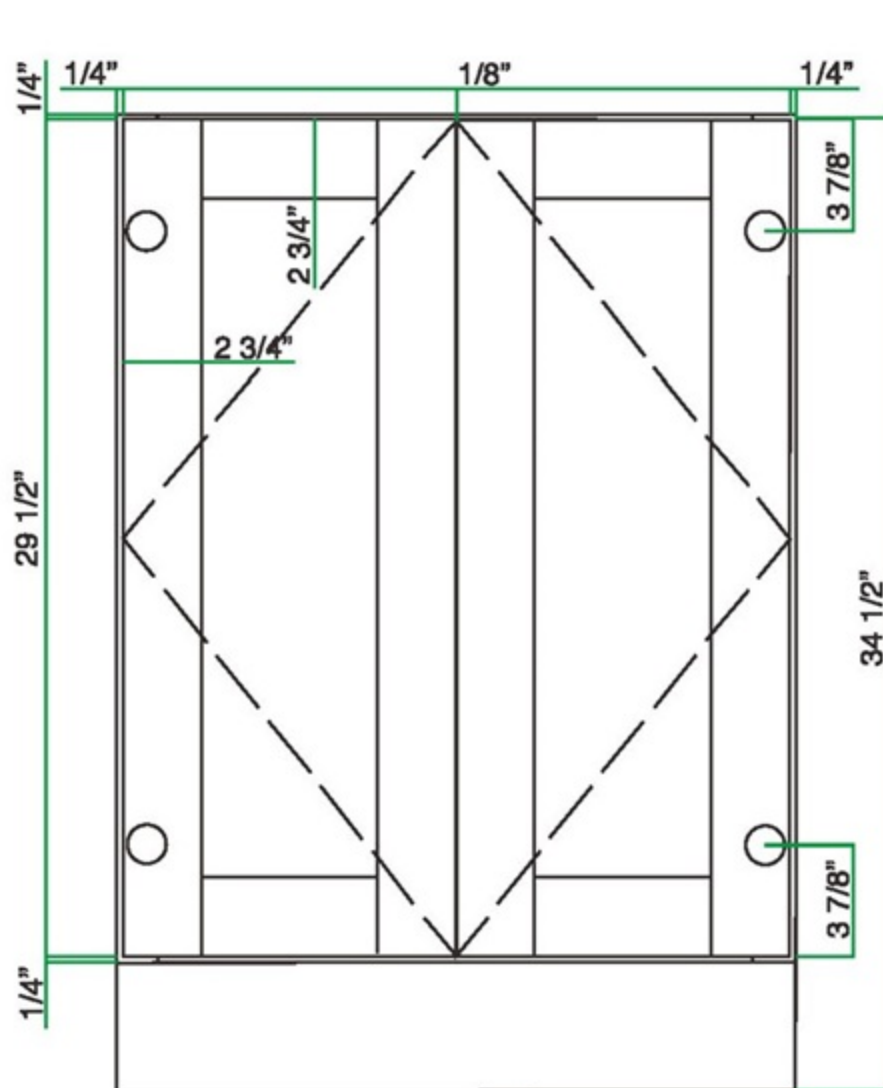


Vanity Base Cabinets
Full Height Double
Door (Custom)



STANDARD VANITY

Cabinet Dimensions



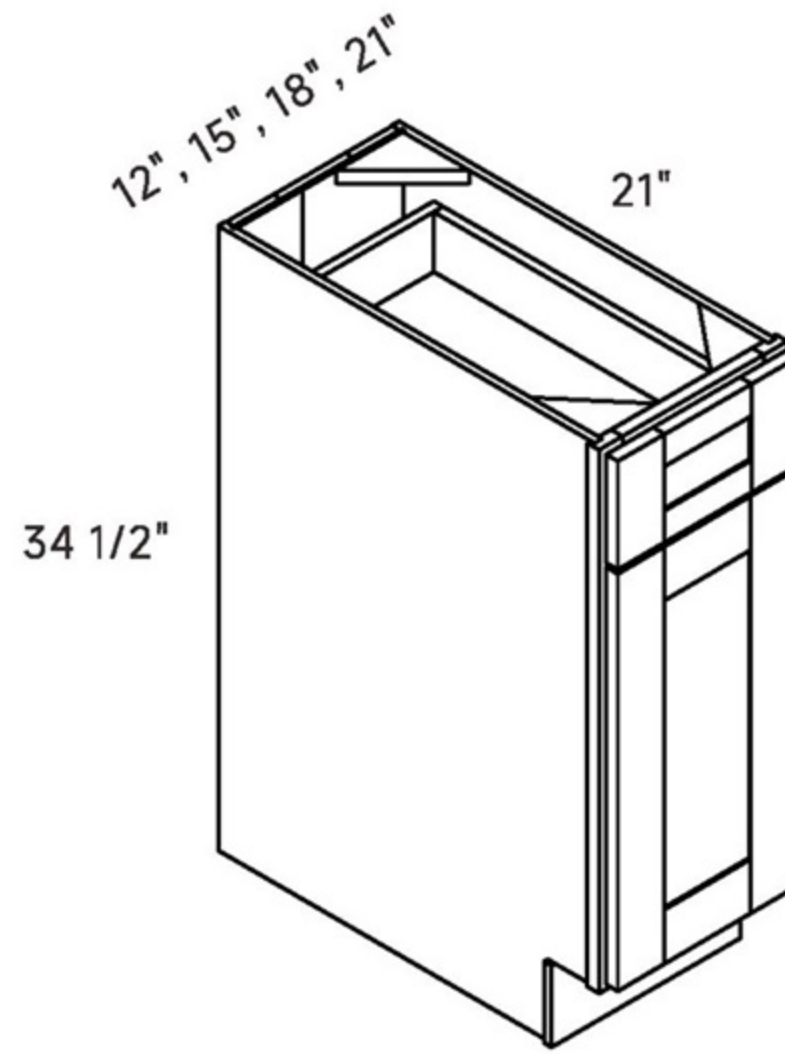
SKU	W	H	D	Door	Shelves	Opening		Door	
						Width	Height	Width	Height
VBF2421	24	34 1/2	21	2	1	21	27	11 3/4	29 1/2
VBF2721	27	34 1/2	21	2	1	24	27	13 1/4	29 1/2
VBF3021	30	34 1/2	21	2	1	27	27	14 3/4	29 1/2
VBF3321	33	34 1/2	21	2	1	30	27	16 1/4	29 1/2
VBF3621	36	34 1/2	21	2	1	33	27	17 3/4	29 1/2

Roll-out is available, see page B-130.
Additional lead time required.

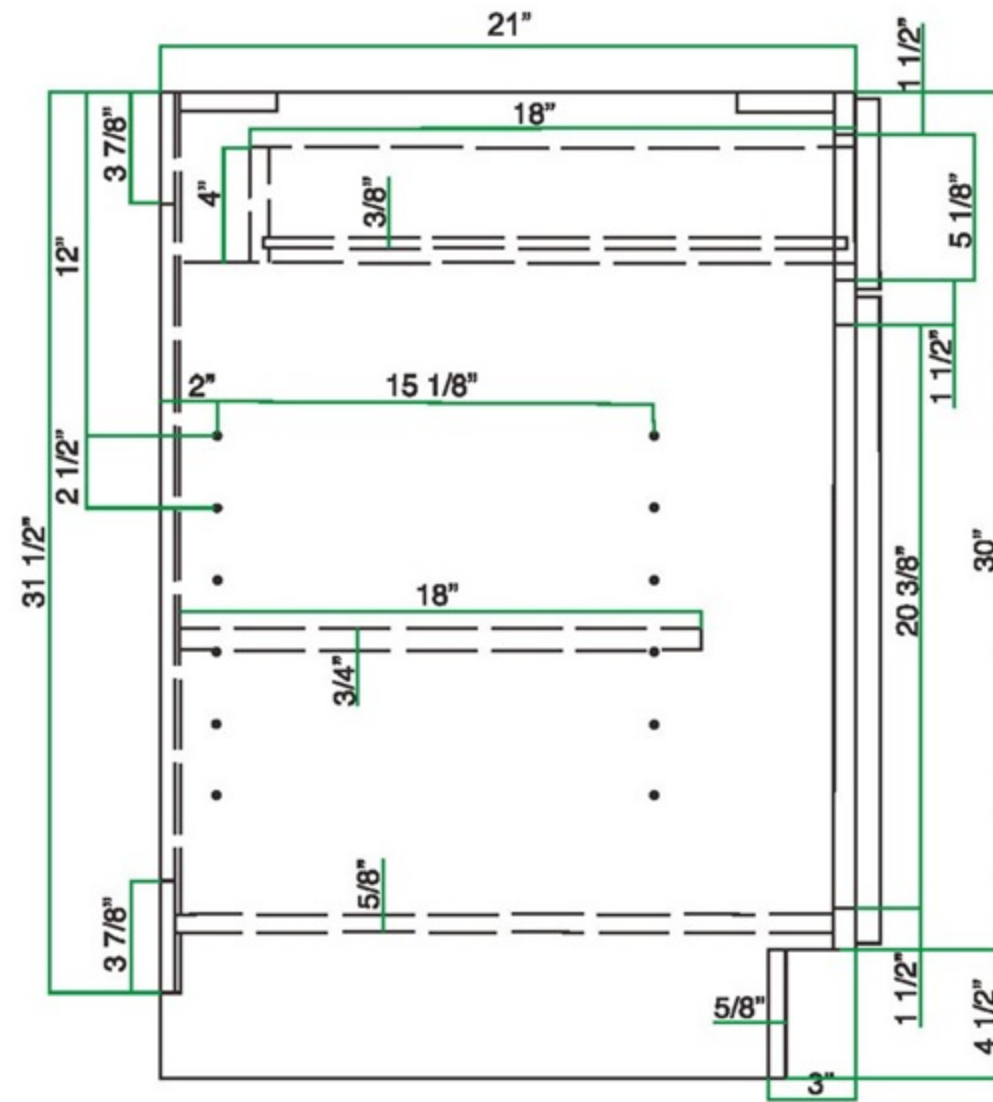
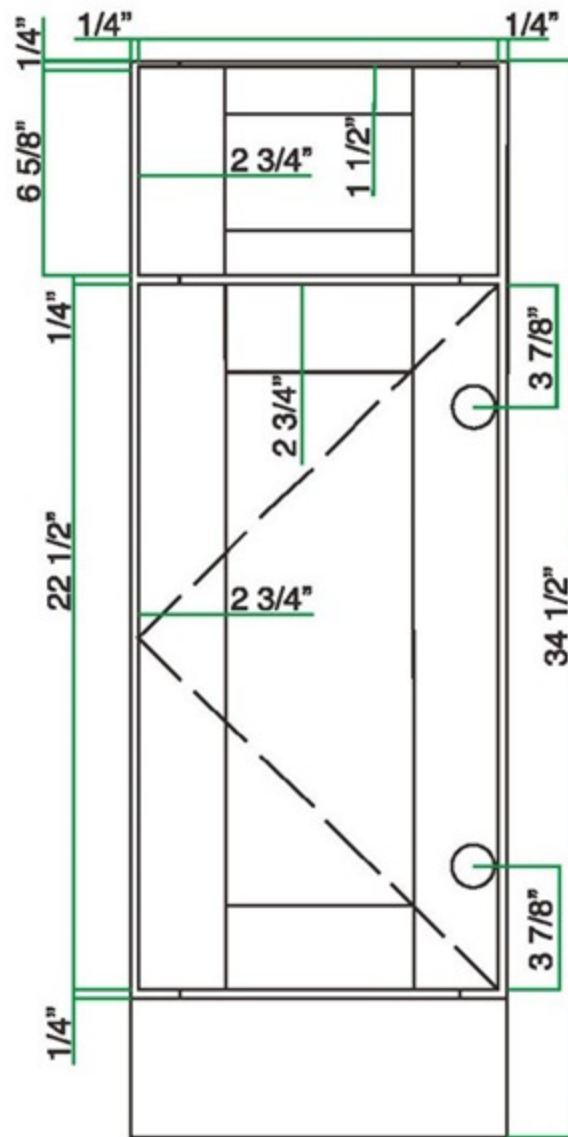


Base Cabinets Single Door & Drawer (Custom)

STANDARD VANITY



Cabinet Dimensions

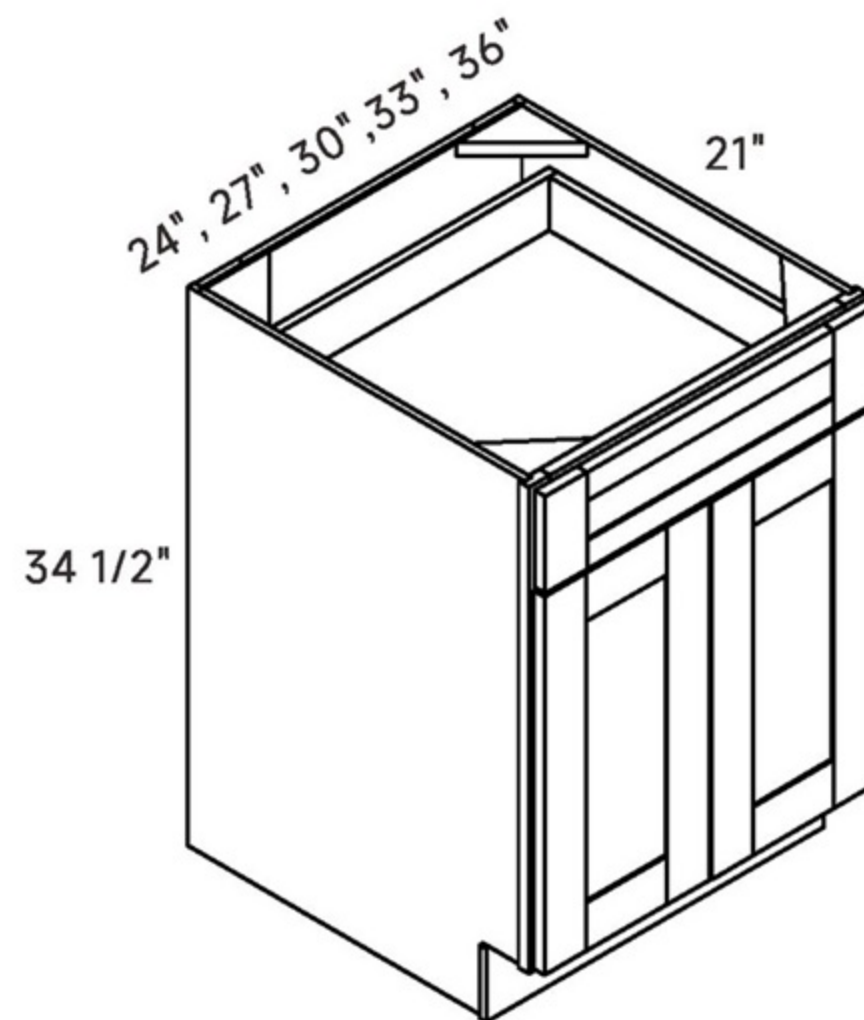


SKU	W	H	D	DOOR	Shelves	Opening		Door		Drawer opening		Drawer front size	
						Width	Height	Width	Height	Width	Height	Width	Height
VB1221	12	34 1/2	21	1	1	9	20 3/8	11 1/2	22 1/2	9	5 1/8	11 1/2	6 5/8
VB1521	15	34 1/2	21	1	1	12	20 3/8	14 1/2	22 1/2	12	5 1/8	14 1/2	6 5/8
VB1821	18	34 1/2	21	1	1	15	20 3/8	17 1/2	22 1/2	15	5 1/8	17 1/2	6 5/8
VB2121	21	34 1/2	24	1	1	18	20 3/8	20 1/2	22 1/2	18	5 1/8	20 1/2	6 5/8

Roll-out is available, see page B-130.
Additional lead time required.

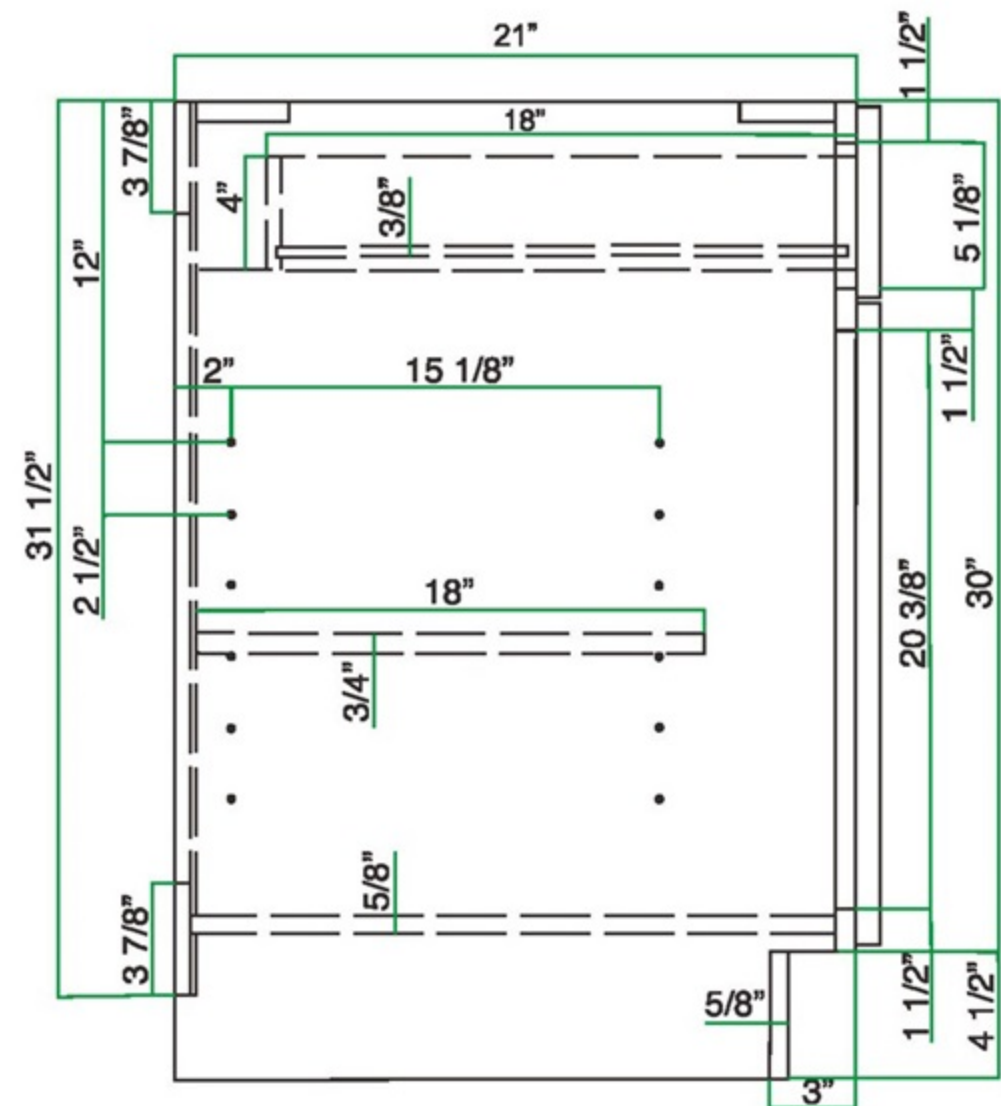
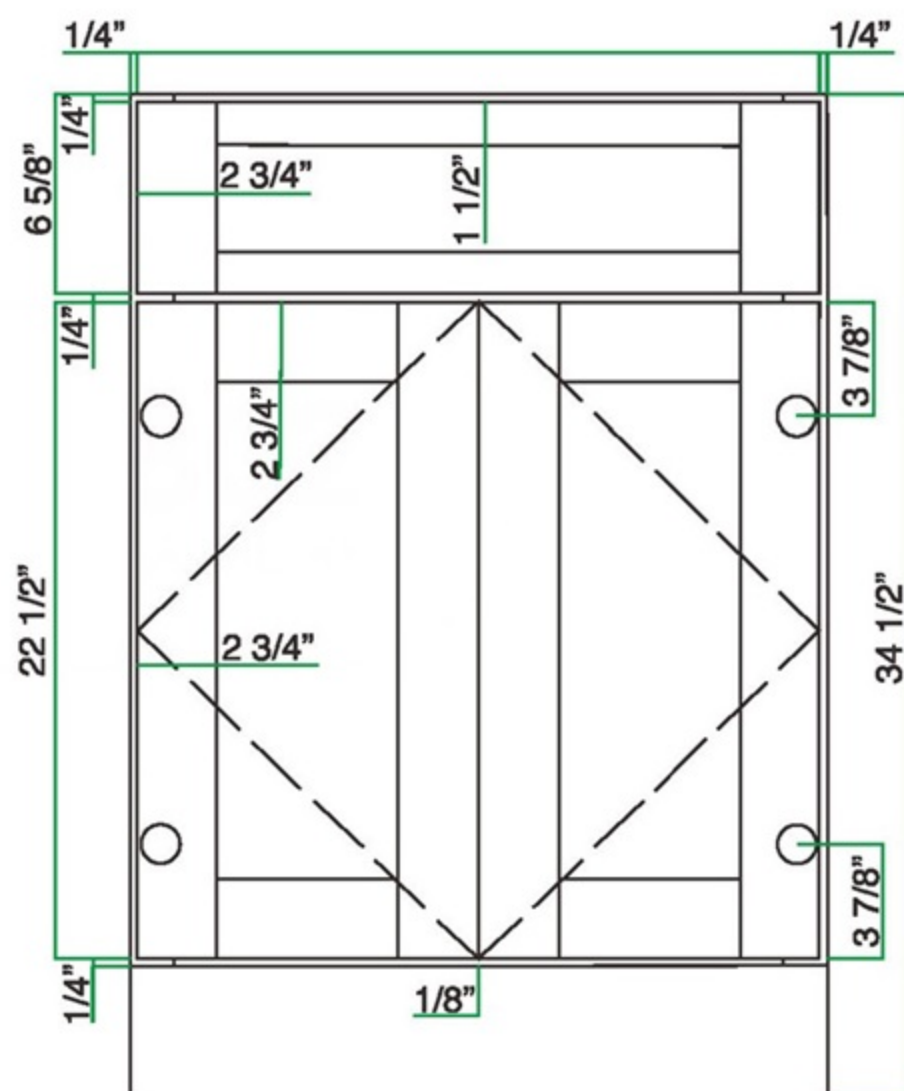


Base Cabinets
**Double Door &
 Drawer (Custom)**



STANDARD VANITY

Cabinet Dimensions



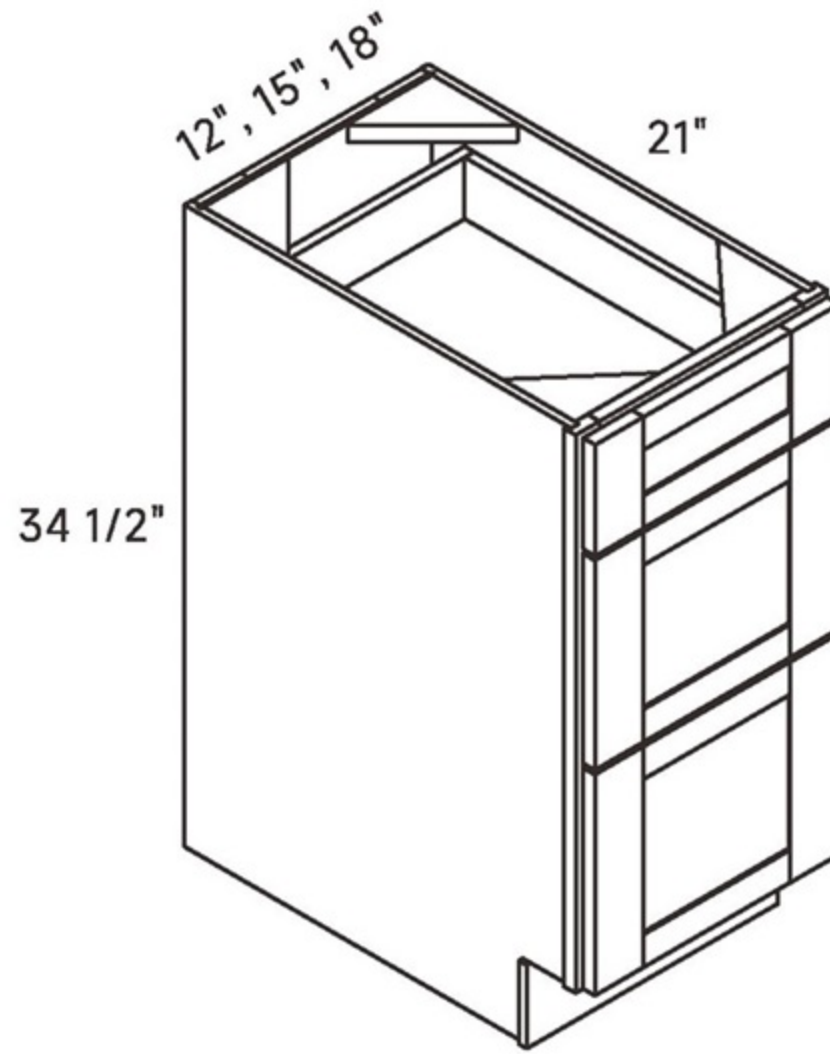
SKU	W	H	D	DOOR	Shelves	Opening		Door		Drawer opening		Drawer front size	
						Width	Height	Width	Height	Width	Height	Width	Height
VB2421	24	34 1/2	21	2	1	21	20 3/8	11 3/4	22 1/2	21	5 1/8	23 1/2	6 5/8
VB2721	27	34 1/2	21	2	1	24	20 3/8	11 3/4	22 1/2	24	5 1/8	26 1/2	6 5/8
VB3021	30	34 1/2	21	2	1	27	20 3/8	11 3/4	22 1/2	27	5 1/8	29 1/2	6 5/8
VB3321	33	34 1/2	21	2	1	30	20 3/8	11 3/4	22 1/2	30	5 1/8	32 1/2	6 5/8
VB3621	36	34 1/2	21	2	1	33	20 3/8	11 3/4	22 1/2	33	5 1/8	35 1/2	6 5/8

Roll-out is available, see page B-130.
 Additional lead time required.

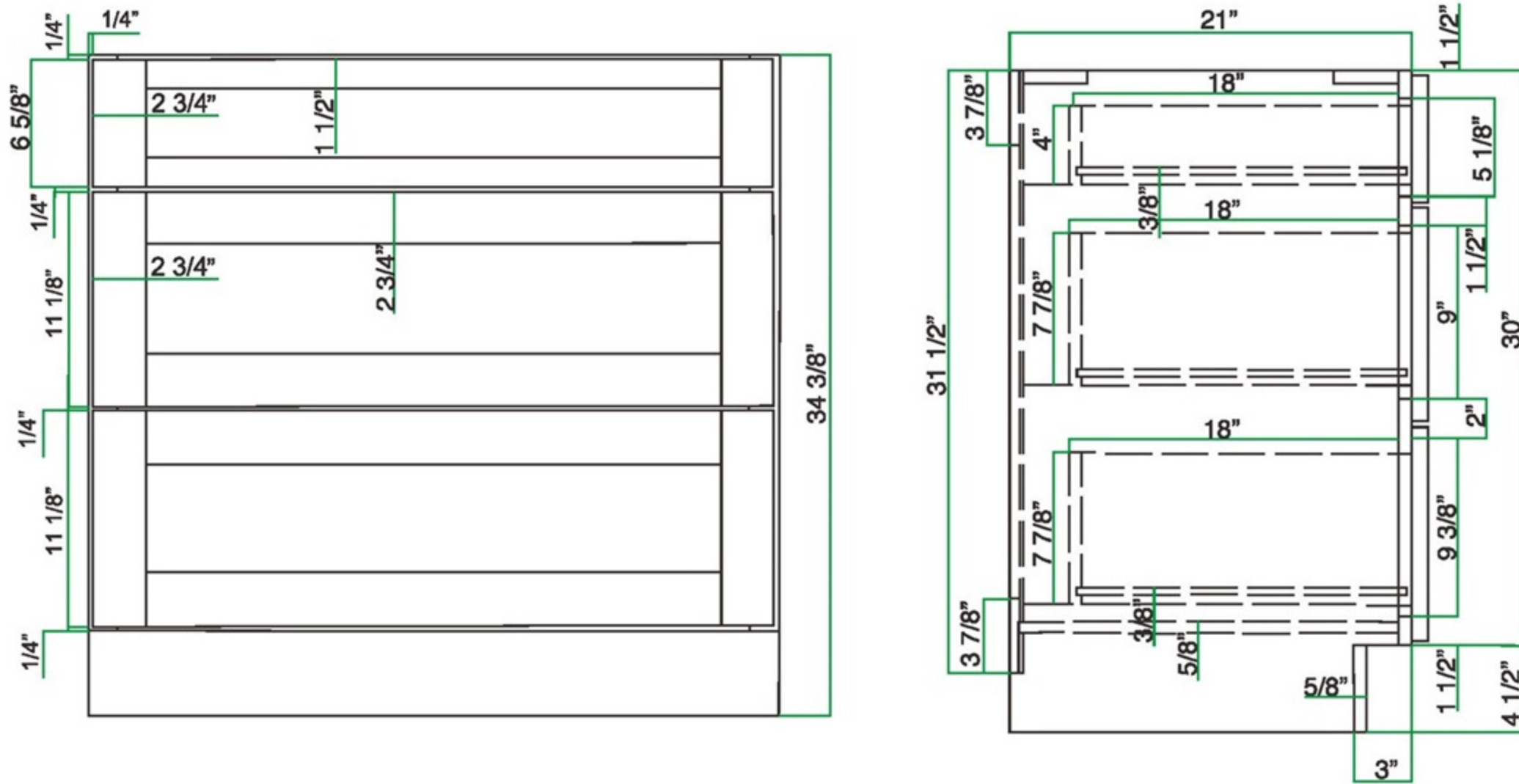


Vanity Base Cabinets 3 Drawers

STANDARD VANITY

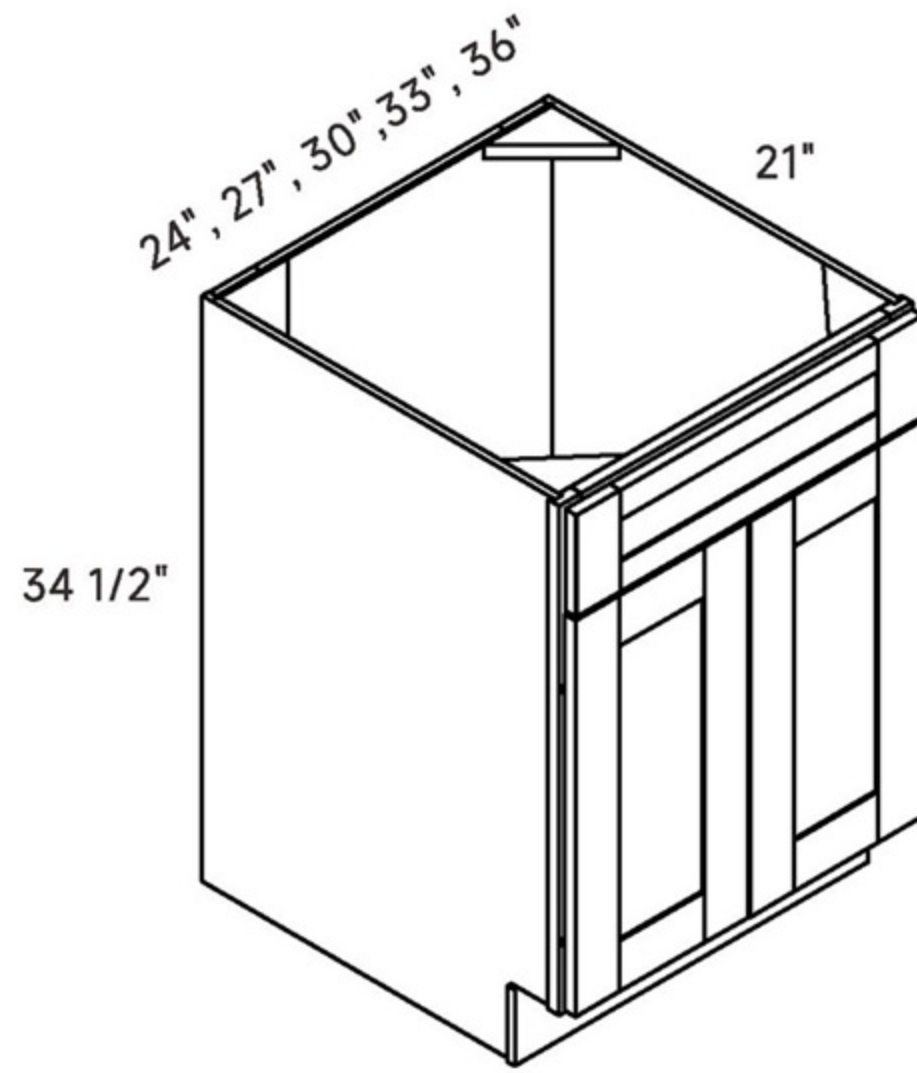


Cabinet Dimensions



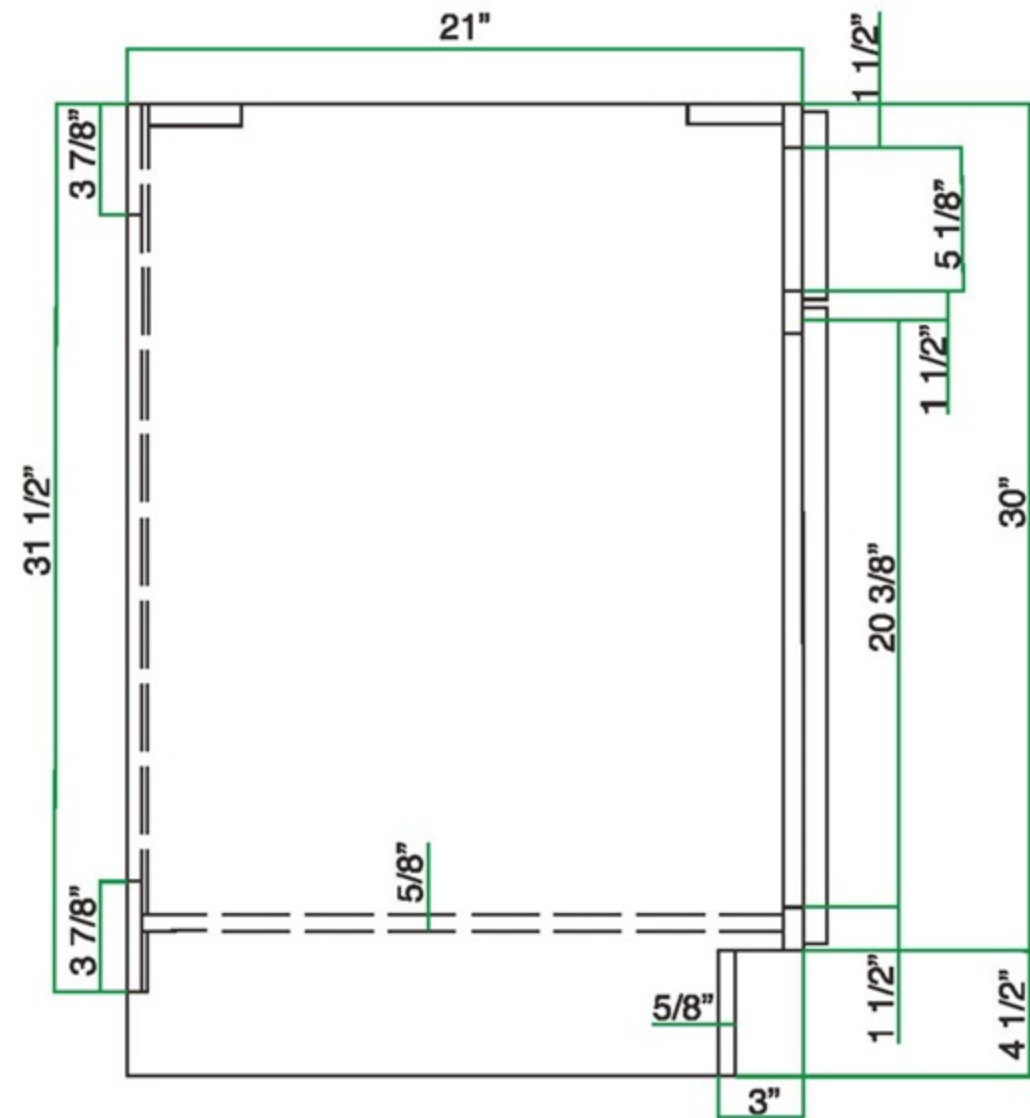
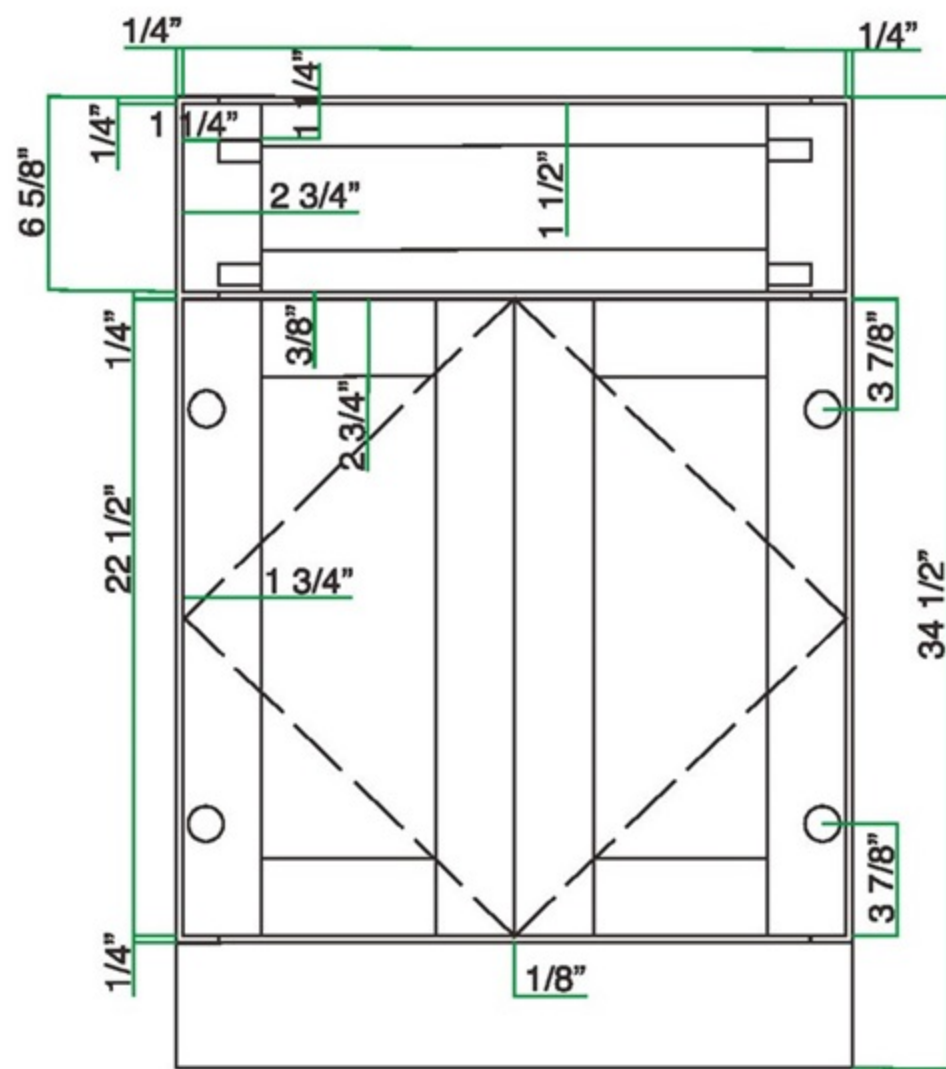
SKU	W	H	D	#of Drawers	Drawer opening			Drawer front size				
					Width	Height 1	Height 2	Height 3	Width	Height 1	Height 2	Height 3
VDB1221	12	34 1/2	21	3	9	5 1/8	9	9 3/8	11 1/2	6 5/8	11 1/8	11 1/8
VDB1521	15	34 1/2	21	3	12	5 1/8	9	9 3/8	14 1/2	6 5/8	11 1/8	11 1/8
VDB1821	18	34 1/2	21	3	15	5 1/8	9	9 3/8	17 1/2	6 5/8	11 1/8	11 1/8

Vanity Base Cabinets
Sink



STANDARD VANITY

Cabinet Dimensions



SKU	W	H	D	DOOR		Door Opening		Door		False Drawer Opening		False Drawer front Size	
				Width	Height	Width	Height	Width	Height	Width	Height		
VS21*	21	34 1/2	21	1	1	18	20 3/8	20 1/2	22 1/2	18	5 1/8	20 1/2	6 5/8
VS24	24	34 1/2	21	2	1	21	20 3/8	11 3/4	22 1/2	21	5 1/8	23 1/2	6 5/8
VS27*	27	34 1/2	21	2	1	24	20 3/8	11 3/4	22 1/2	24	5 1/8	26 1/2	6 5/8
VS30	30	34 1/2	21	2	1	27	20 3/8	11 3/4	22 1/2	27	5 1/8	29 1/2	6 5/8
VS33*	33	34 1/2	21	2	1	30	20 3/8	11 3/4	22 1/2	30	5 1/8	32 1/2	6 5/8
VS36	36	34 1/2	21	2	1	33	20 3/8	11 3/4	22 1/2	33	5 1/8	35 1/2	6 5/8

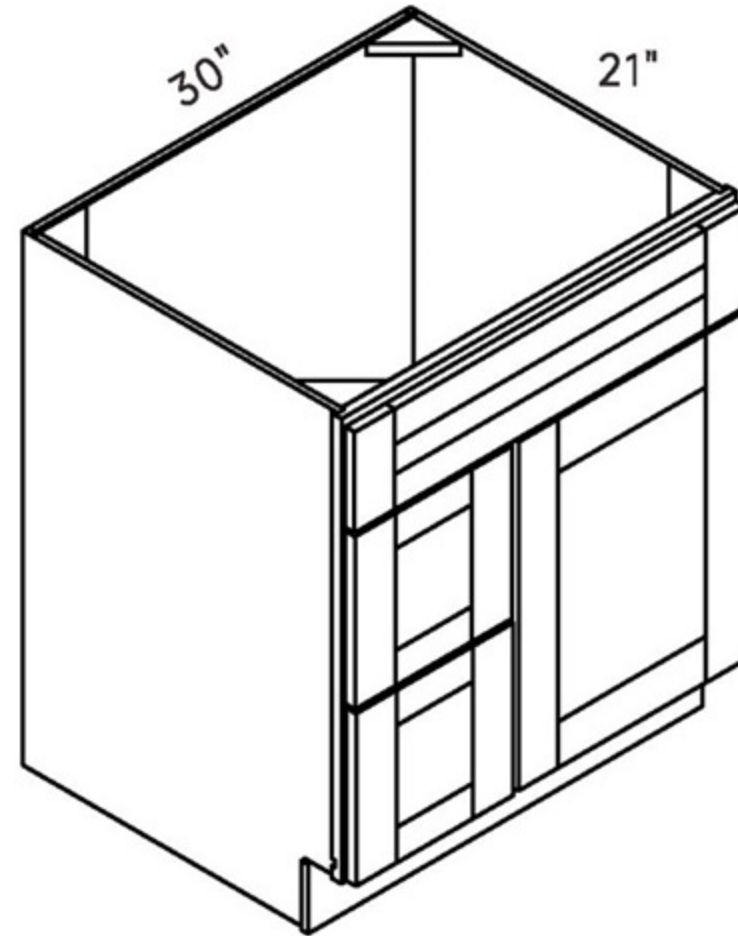
*Custom item, additional lead time required.



Vanity Cabinets Sink & Drawer Combo

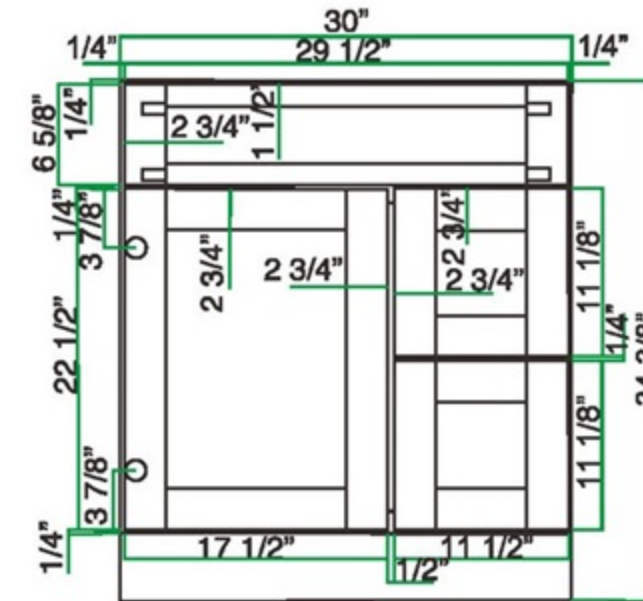


STANDARD VANITY

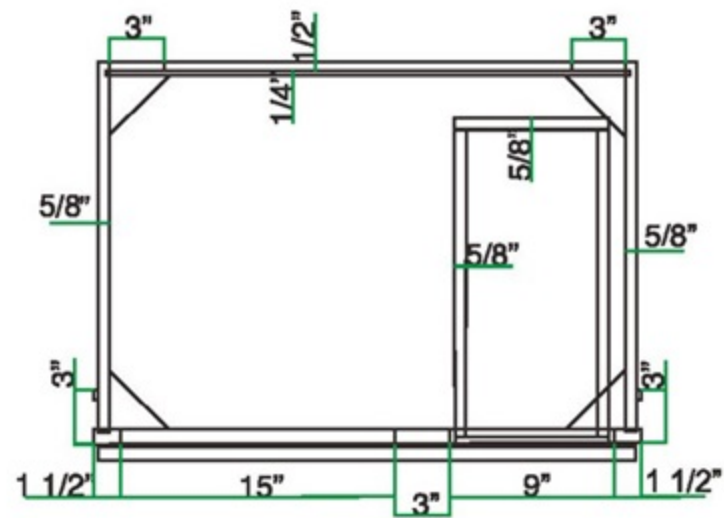
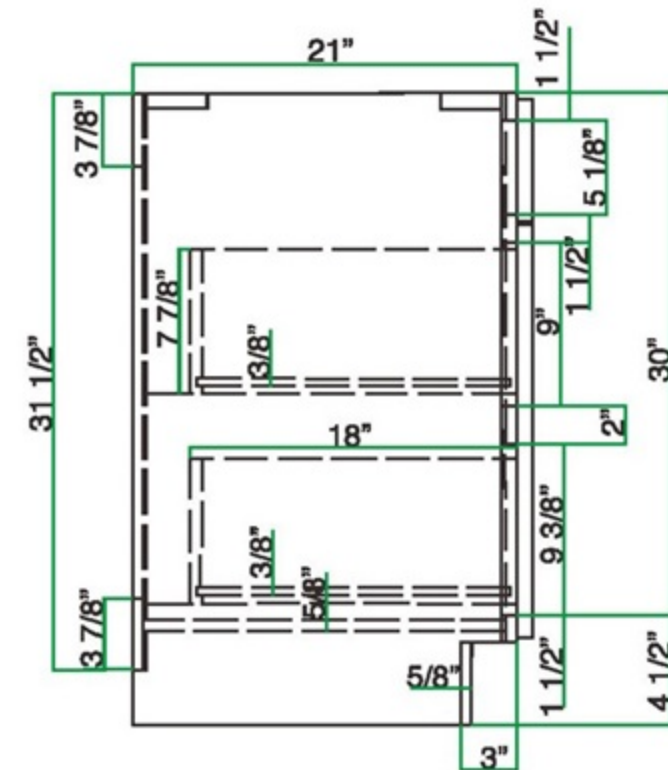
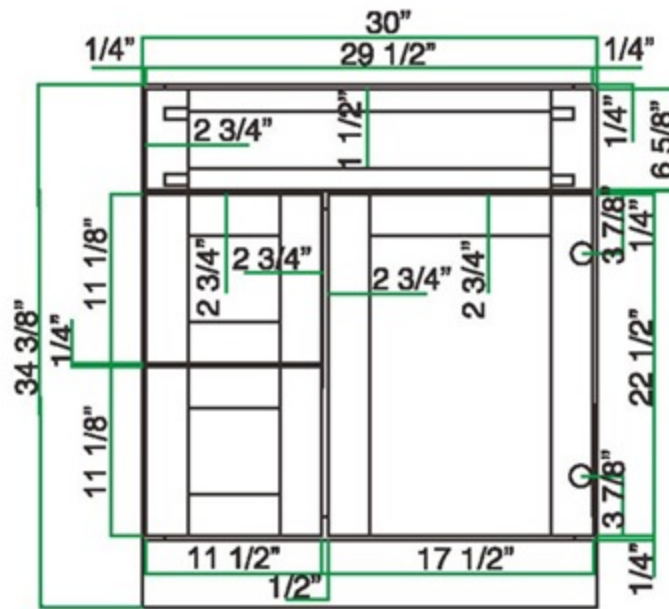


Cabinet Dimensions

RIGHT



LEFT

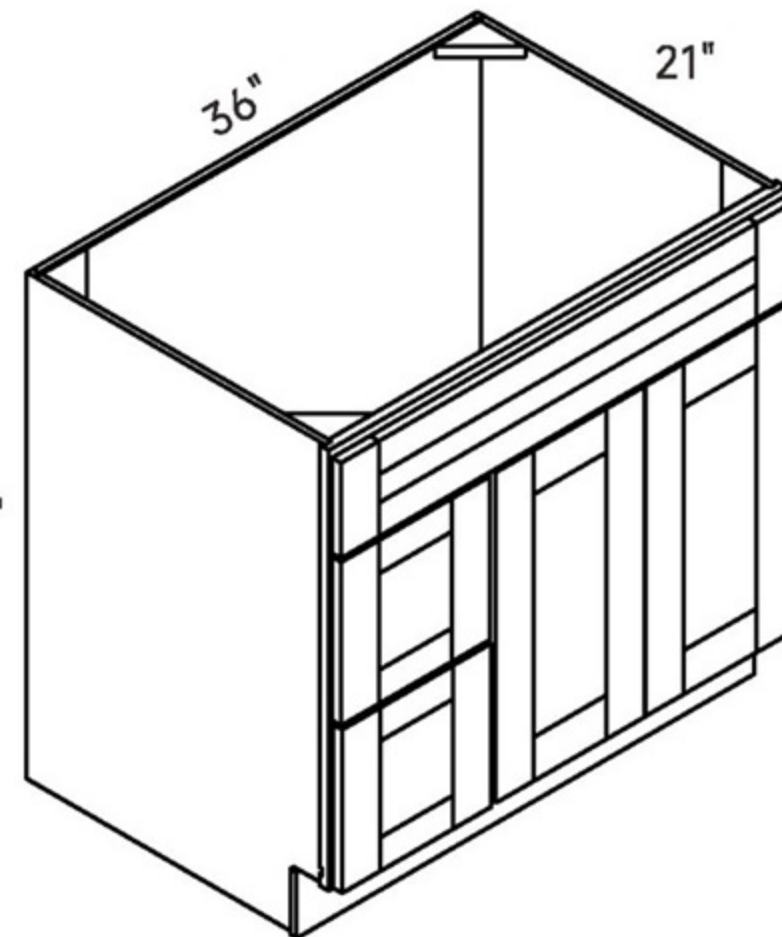


SKU	W	H	D	DOOR	False drawers	drawers	Door Opening		Door	
							Width W2	Height	Width	Height
VSD3021L	30	34 1/2	21	1	1	2	21	20 3/8	17 1/2	22 1/2
VSD3021R	30	34 1/2	21	1	1	2	21	20 3/8	17 1/2	22 1/2

SKU	False Drawer opening		False Drawer front size		Drawer opening			Drawer front size		
	Width	Height	Width	Height	Width	Height 1	Height 2	Width	Height 1	Height 2
VSD3021L	27	5 1/8	29 1/2	6 5/8	9	9 1/2	9 3/8	11 1/2	11 1/8	11 1/8
VSD3021R	27	5 1/8	29 1/2	6 5/8	9	9 1/2	9 3/8	11 1/2	11 1/8	11 1/8

Left drawers are intended for the left side. Right drawers are intended for the right side. Cabinet position cannot be reversed once assembled.

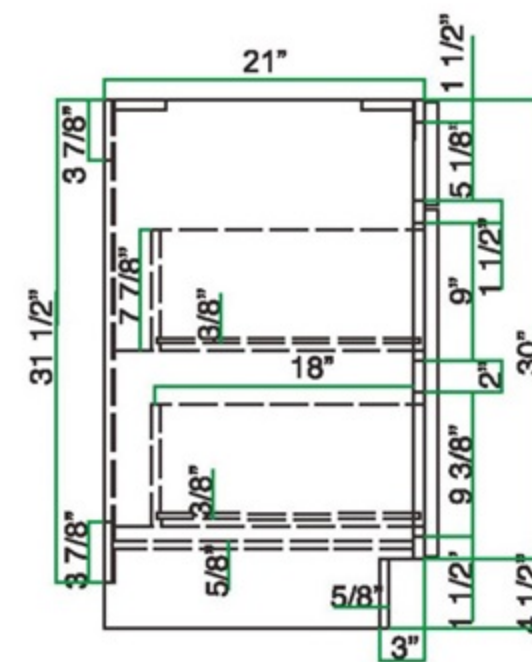
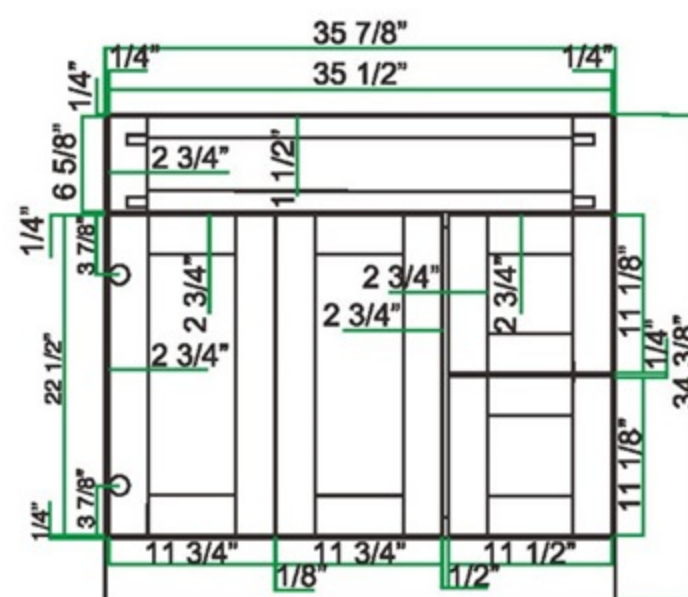
Vanity Cabinets Sink & Drawer Combo



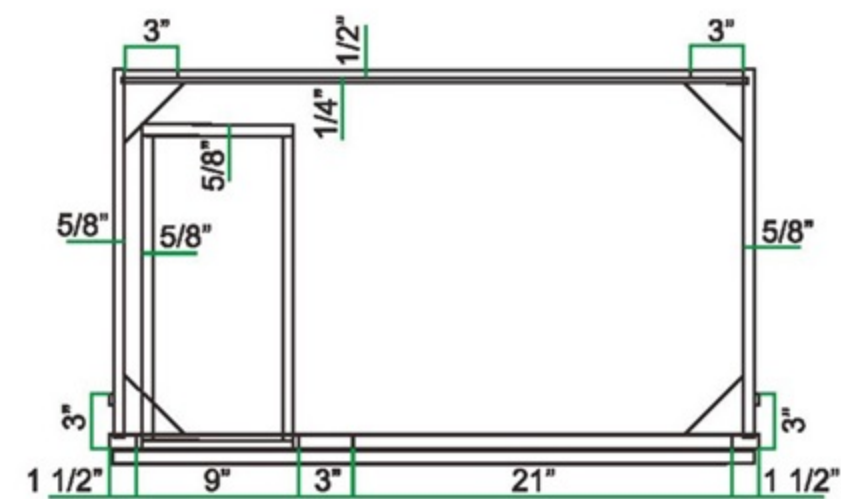
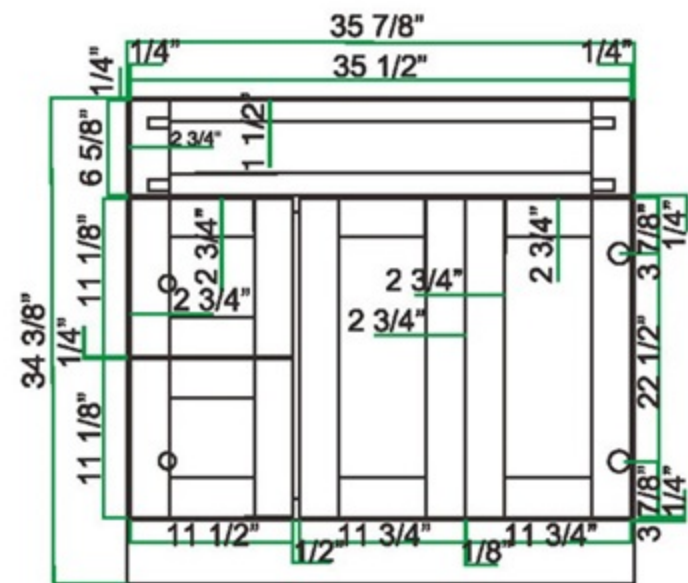
STANDARD VANITY

Cabinet Dimensions

RIGHT



LEFT



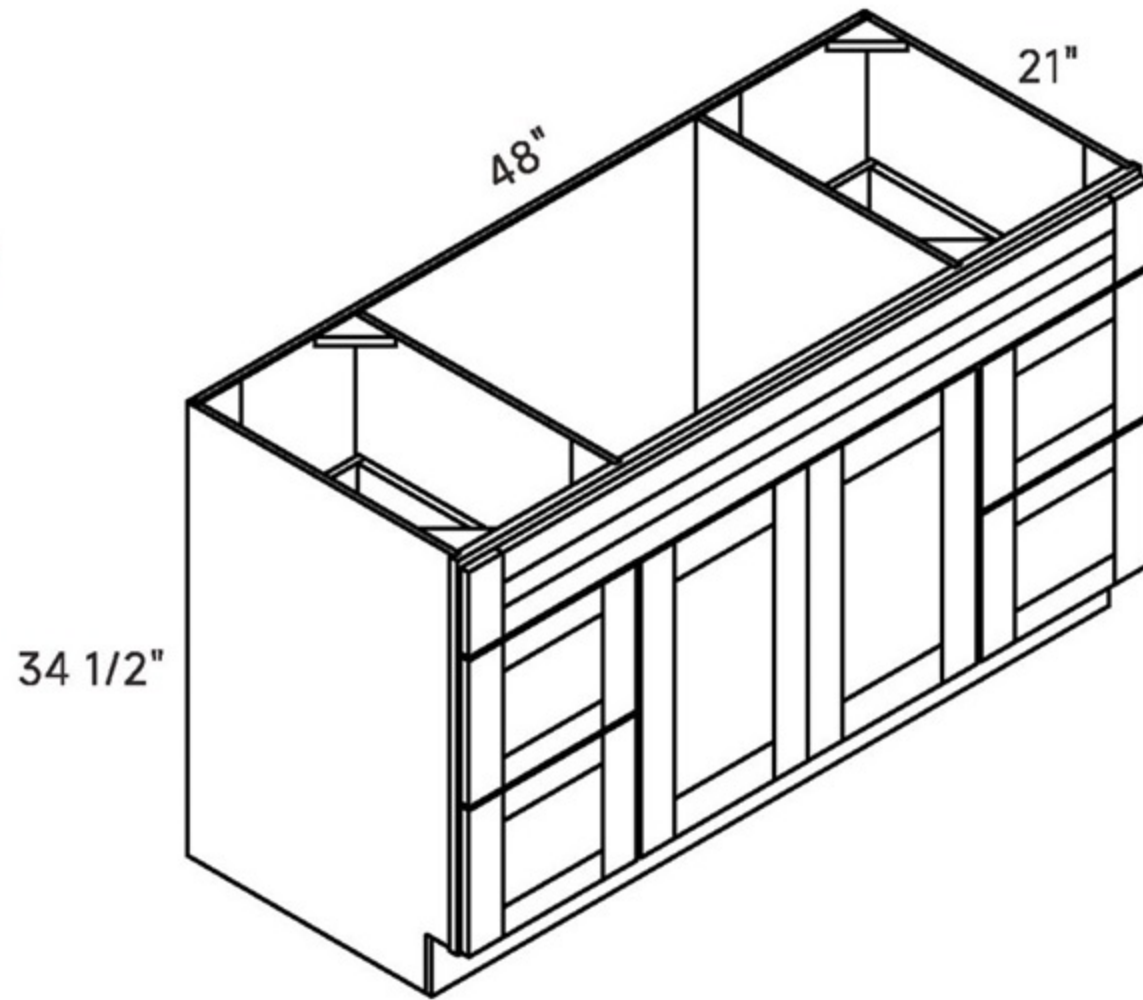
SKU	W	H	D	DOOR	False drawers	drawers	Door Opening		Door	
							Width	Height	Width	Height
VSD3621L	36	34 1/2	21	2	1	2	21	20 3/8	11 3/4	22 1/2
VSD3621R	36	34 1/2	21	2	1	2	21	20 3/8	11 3/4	22 1/2

SKU	Opening		Front Size		Drawer opening			Drawer front size		
	Width	Height	Width	Height	Width	Height 1	Height 2	Width	Height 1	Height 2
VSD3621L	33	5 1/8	35 1/2	6 5/8	9	9	9 3/8	11 1/2	11 1/8	11 1/8
VSD3621R	33	5 1/8	35 1/2	6 5/8	9	9	9 3/8	11 1/2	11 1/8	11 1/8

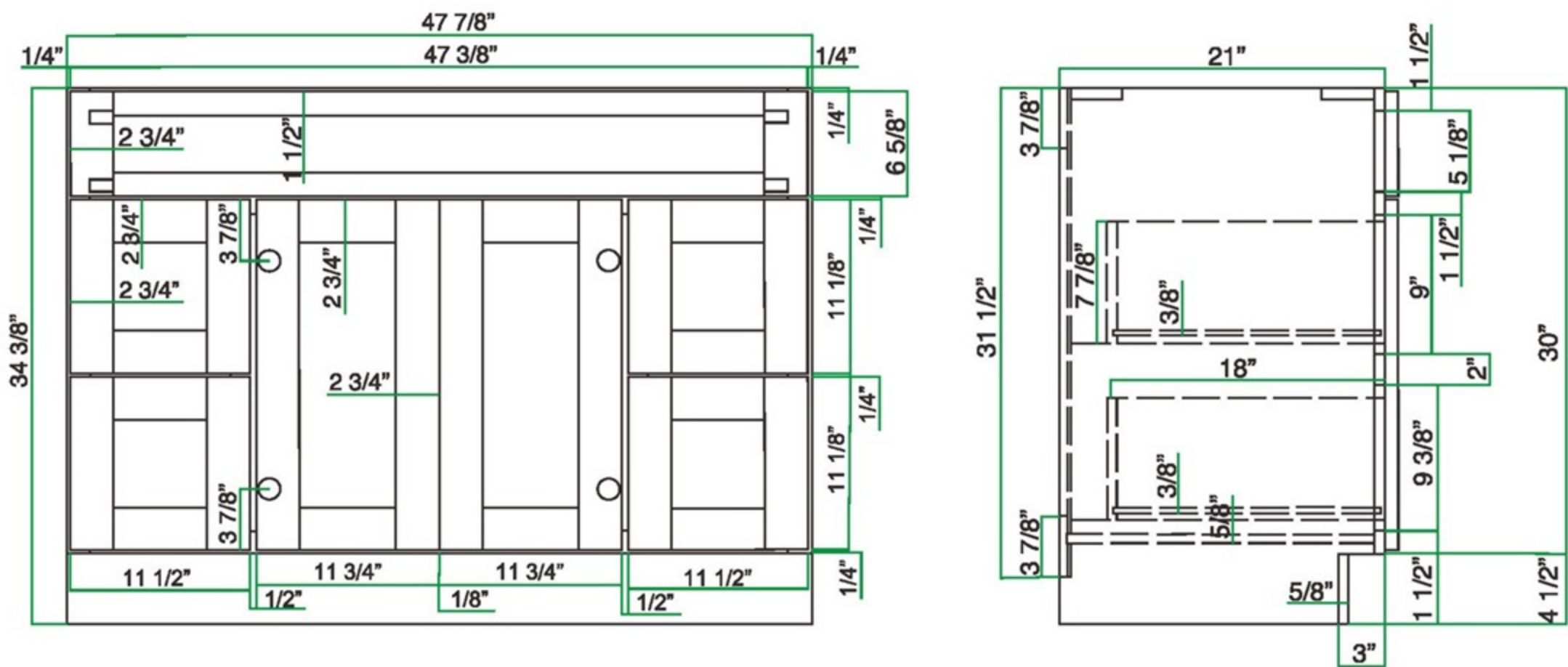
Left drawers are intended for the left side. Right drawers are intended for the right side. Cabinet position cannot be reversed once assembled.

Vanity Cabinets Sink & Drawer Combo

STANDARD VANITY



Cabinet Dimensions

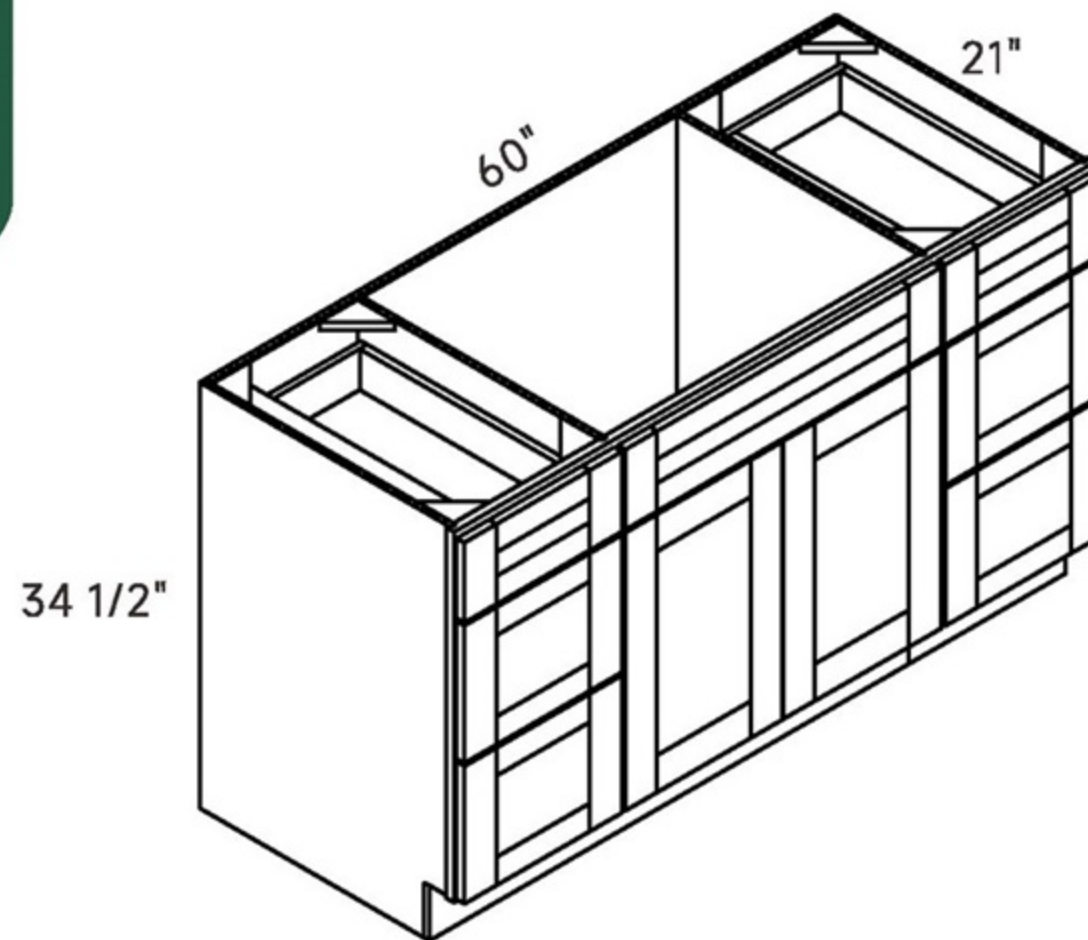


SKU	W	H	D	DOOR	False drawers	drawers	Door Opening		Door	
							Width	Height	Width	Height
VSD4821	48	34 1/2	21	2	1	4	21	20 3/8	11 3/4	22 1/2

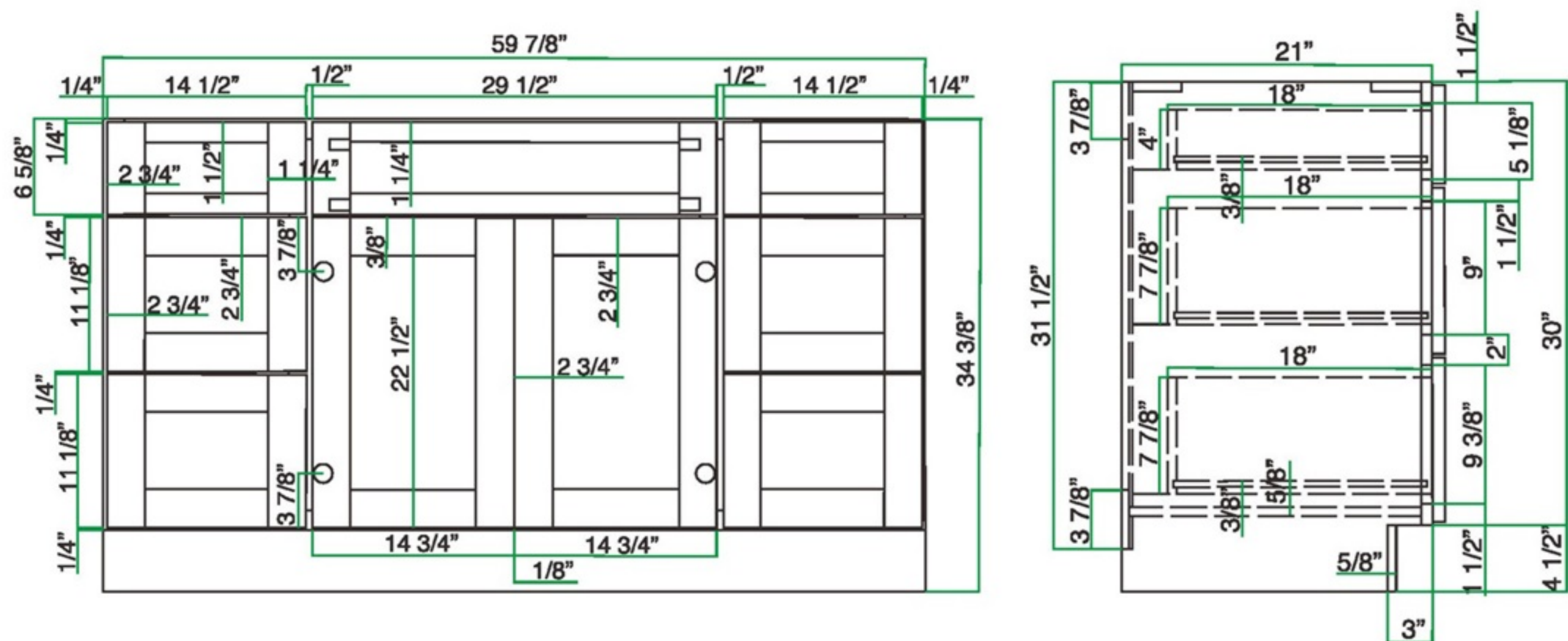
SKU	False Drawer opening		False Drawer front size		Drawer opening			Drawer front size		
	Width	Height	Width	Height	Width	Height 1	Height 2	Width	Height 1	Height 2
VSD4821	45	5 1/8	47 3/8	6 5/8	9	9	9 3/8	11 1/2	11 1/8	11 1/8



Vanity Cabinets Sink & Drawer Combo



Cabinet Dimensions



STANDARD VANITY

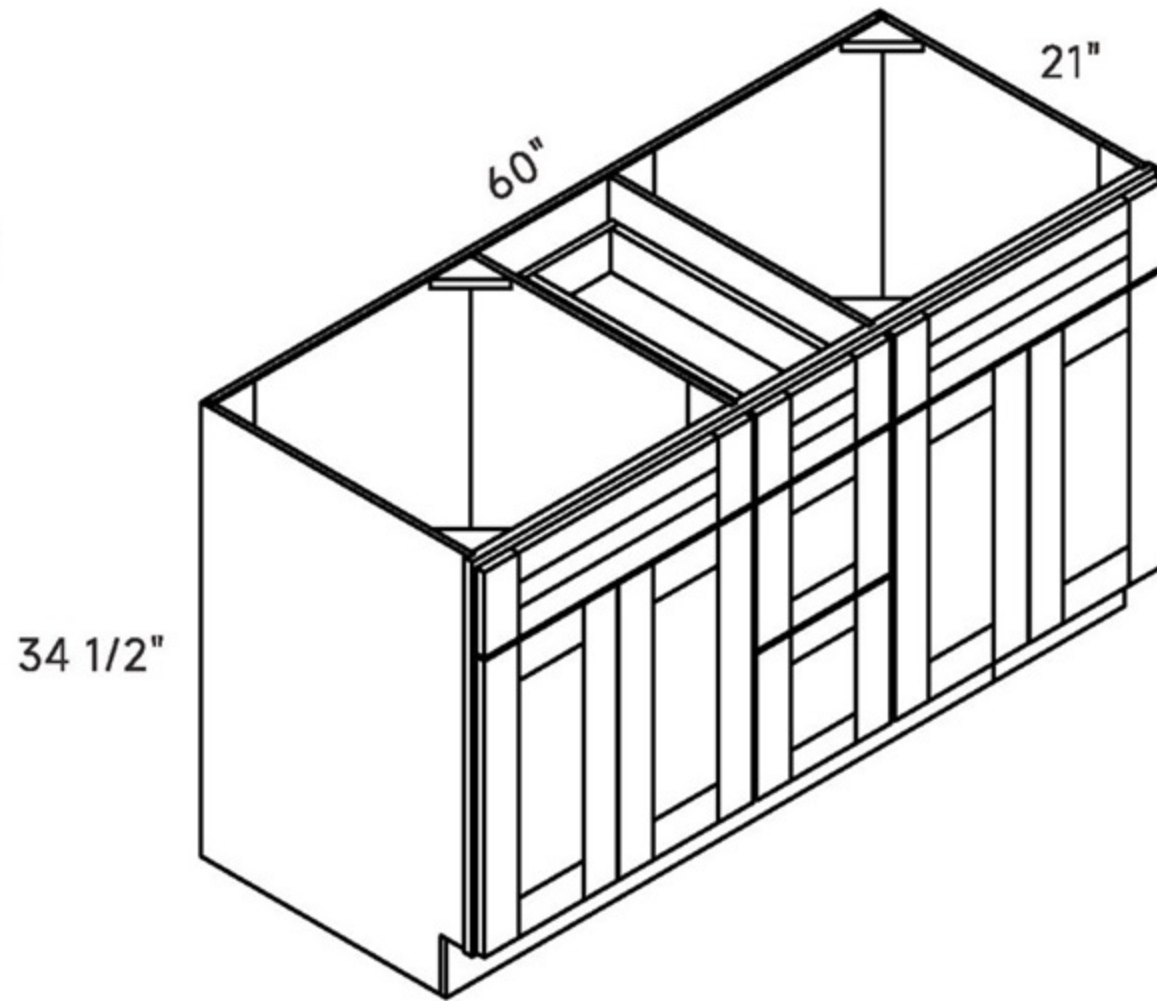
SKU	W	H	D	DOOR	False drawers	drawers	Door Opening		Door	
							Width	Height	Width	Height
VSD6021 SINGLE	60	34 1/2	21	2	1	6	27	20 3/8	14 3/4	22 1/2

SKU	False Drawer opening		False Drawer front size		Drawer opening				Drawer front size			
	Width	Height	Width	Height	Width	Height 1	Height 2	Height 3	Width	Height 1	Height 2	Height 3
VSD6021 SINGLE	27	5 1/8	29 1/2	6 5/8	12	5 1/8	9	9 3/8	14 1/2	6 5/8	11 1/8	11 1/8

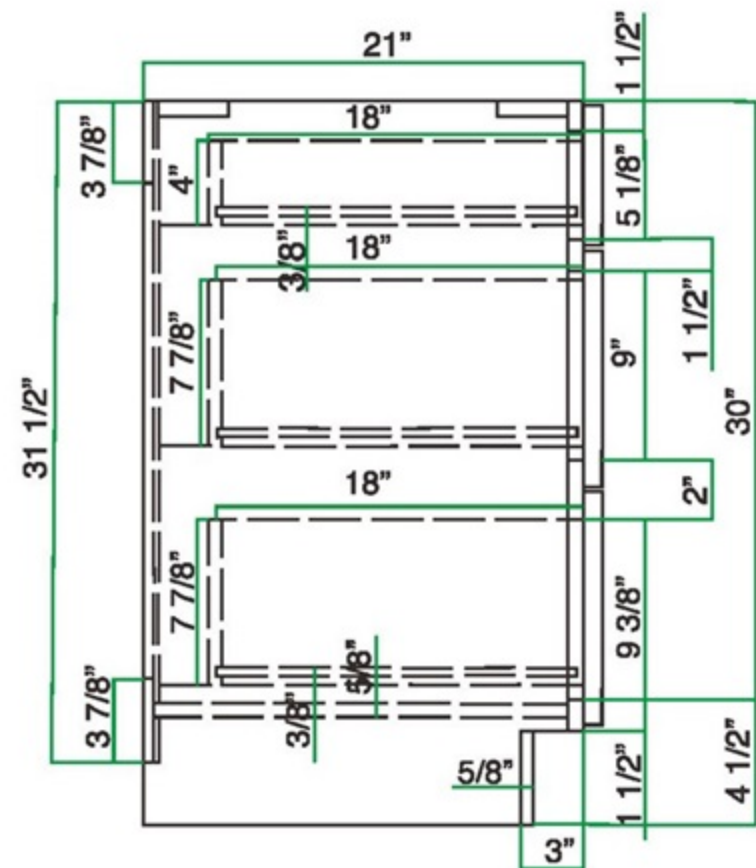
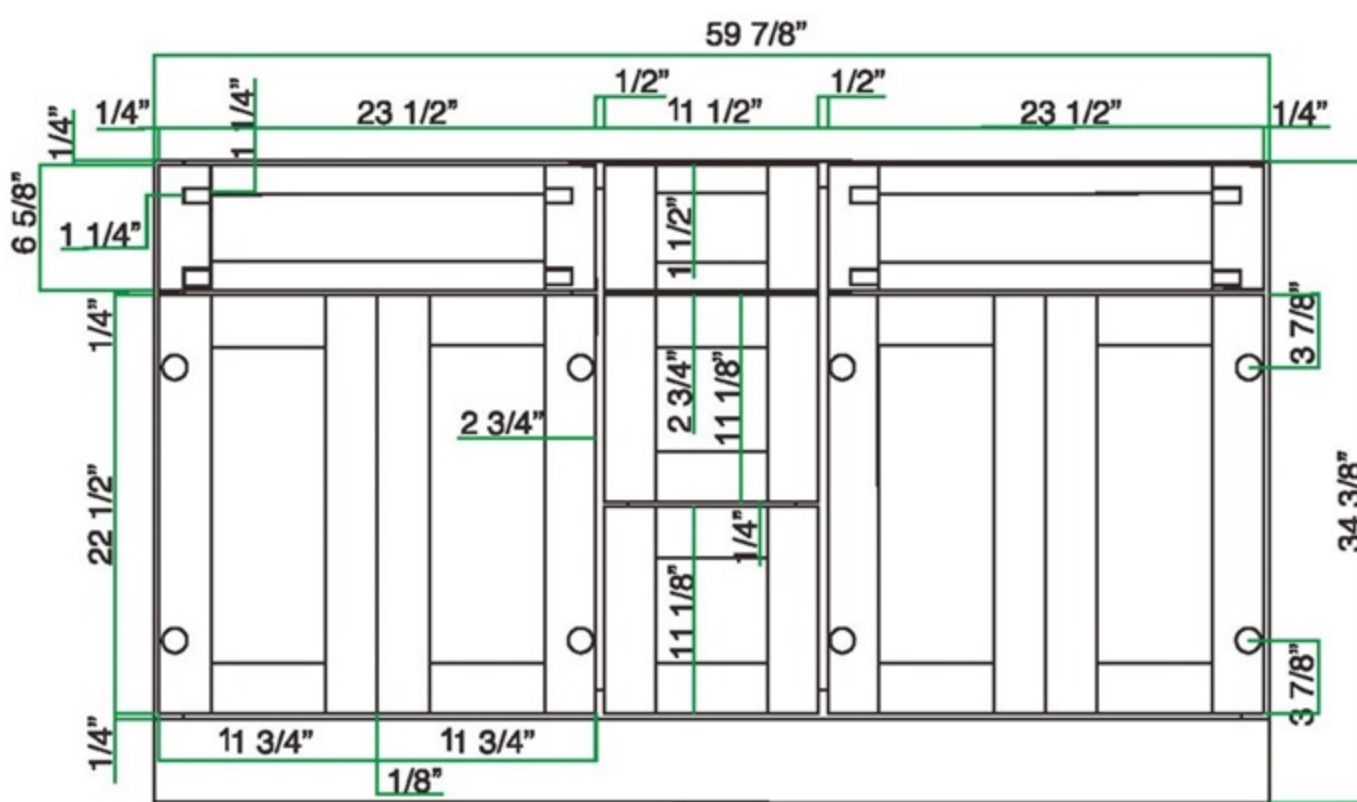


Vanity Cabinets Sink & Drawer Combo

STANDARD VANITY



Cabinet Dimensions

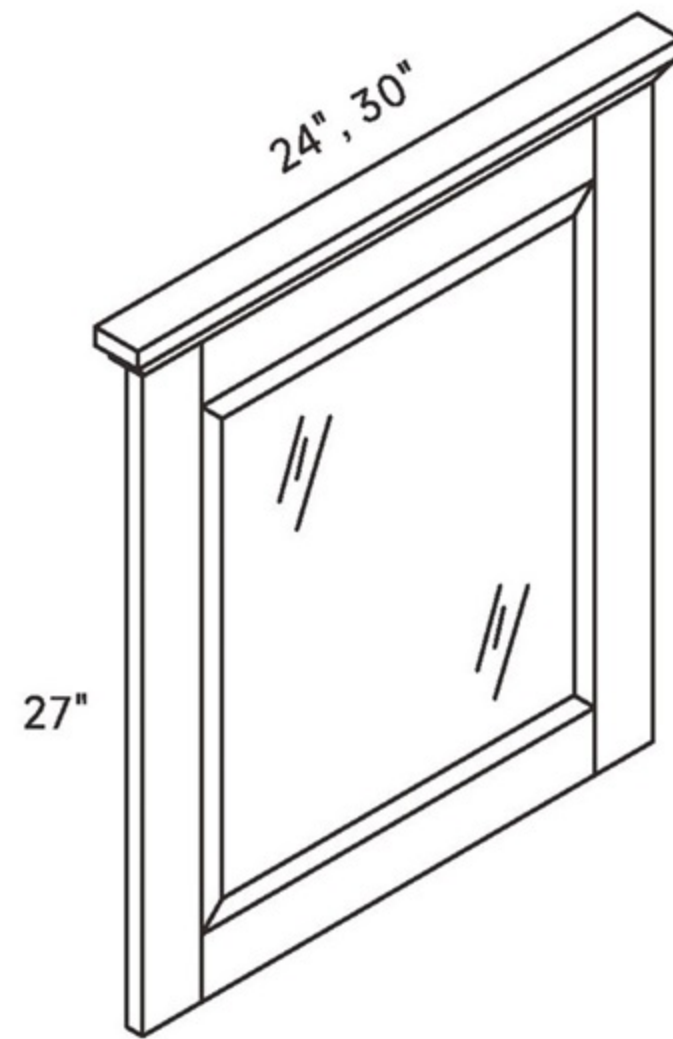


SKU	W	H	D	DOOR	False drawers	drawers	Door Opening		Door	
							Width	Height	Width	Height
VSD6021 DOUBLE	60	34 1/2	21	4	2	3	21	20 3/8	11 3/4	22 1/2

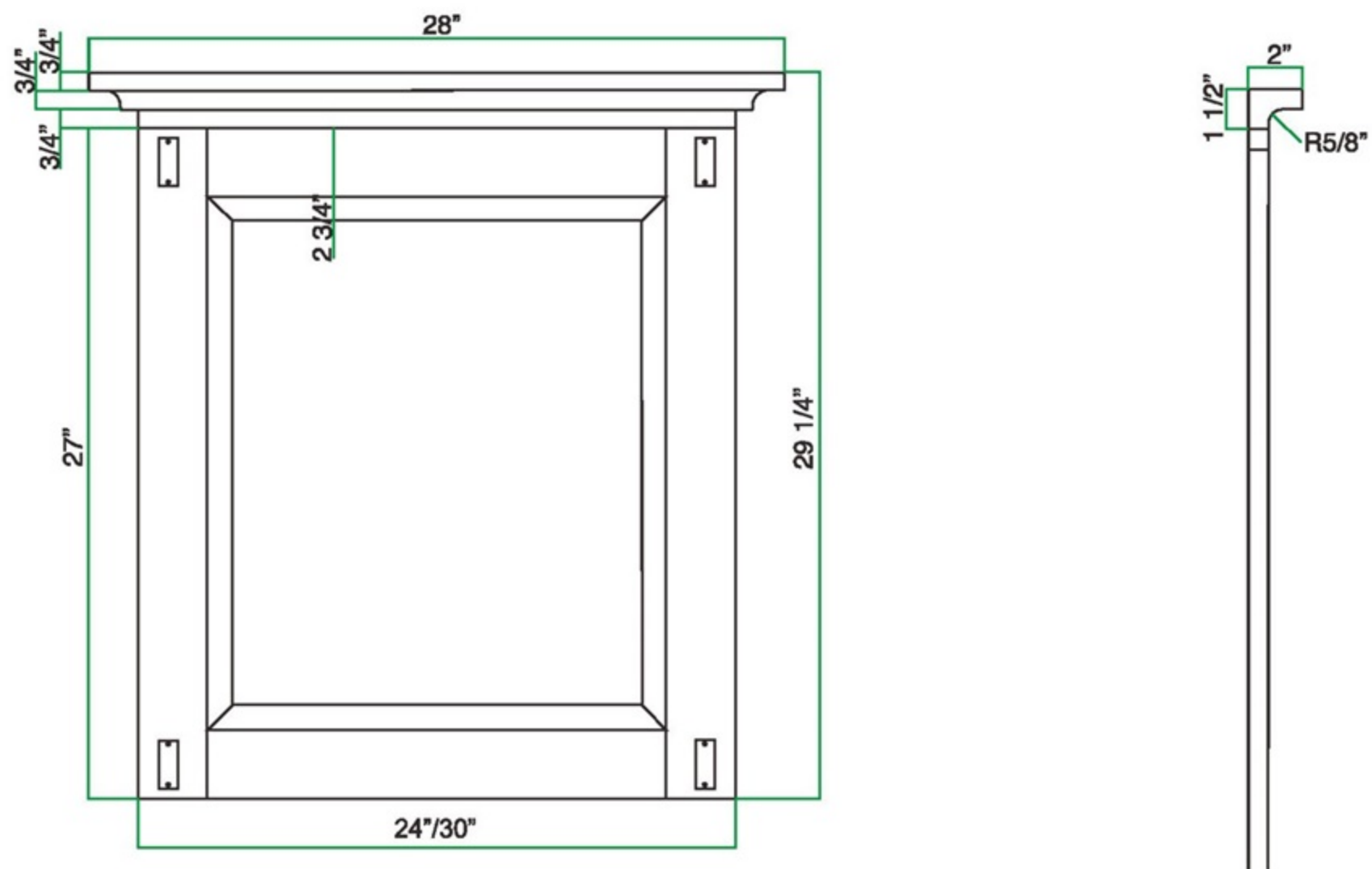
SKU	False Drawer opening		False Drawer front size		Drawer opening				Drawer front size			
	Width	Height	Width	Height	Width	Height 1	Height 2	Height 3	Width	Height 1	Height 2	Height 3
VSD6021 DOUBLE	21	5 1/8	23 1/2	6 5/8	9	5 1/8	9	9 3/8	11 1/2	6 5/8	11 1/8	11 1/8



Mirrors

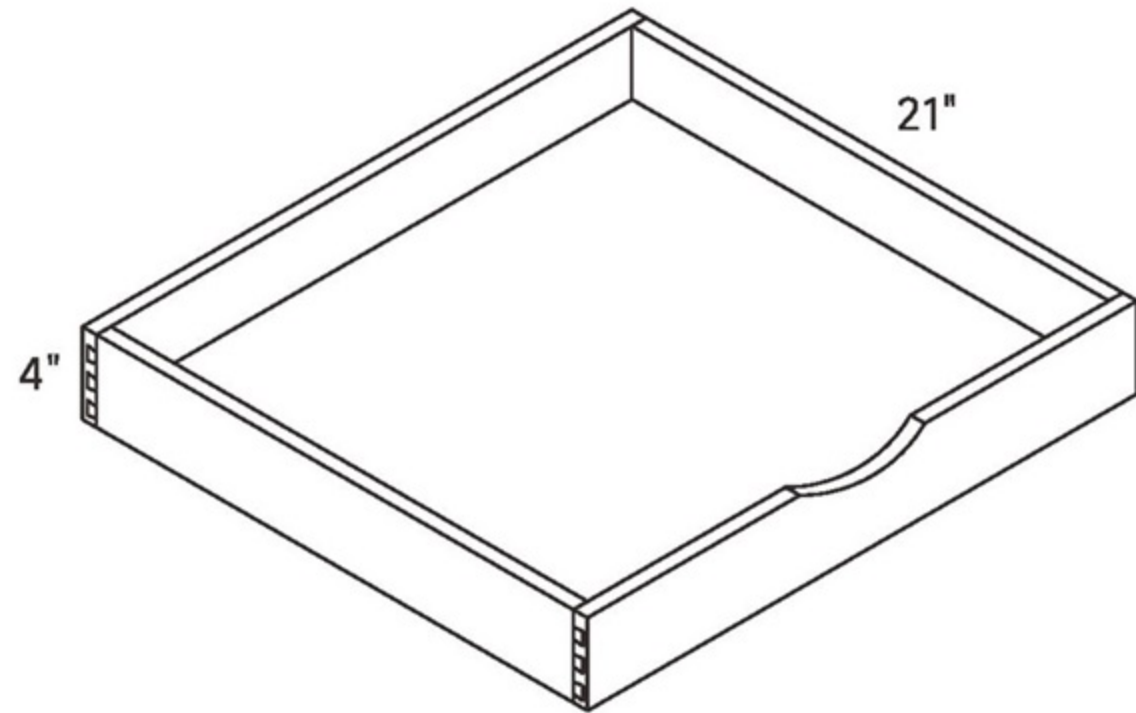


Cabinet Dimensions

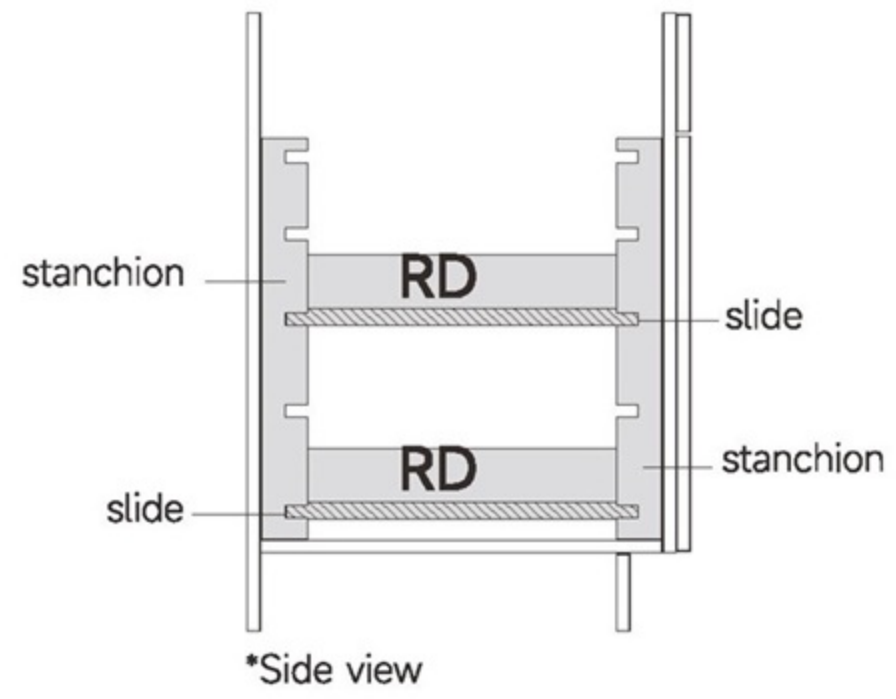
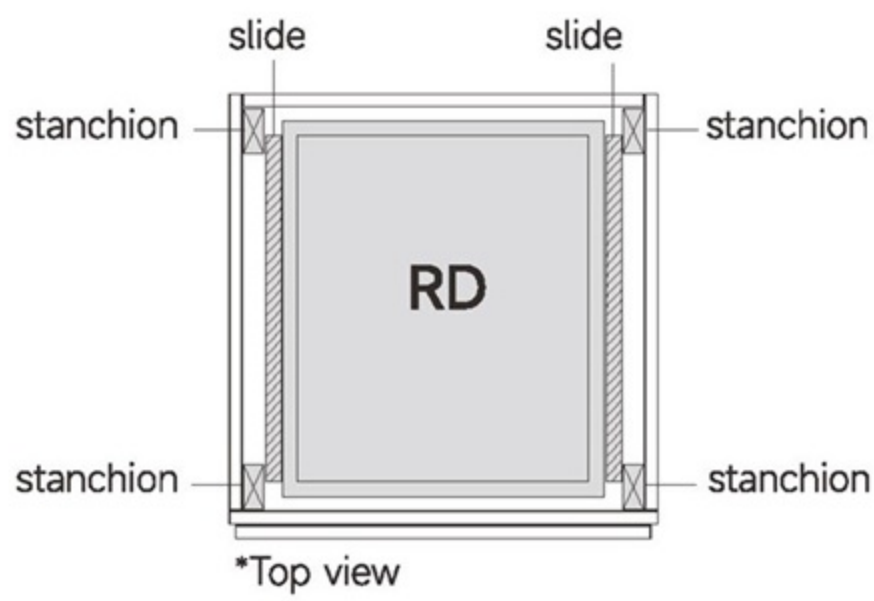


SKU	W	H	D
M2427	27 3/8	29 1/8	1 3/4
M3027	33 3/8	29 1/8	1 3/4

Roll Out Drawer



Cabinet Dimensions



SKU	W	I	D	I	H
RD15	10 1/8		21		4
RD18	13 1/8		21		4
RD21	16 1/8		21		4
RD24	19 1/8		21		4
RD27	22 1/8		21		4
RD30	25 1/8		21		4
RD33	28 1/8		21		4
RD36	31 1/8		21		4



1

Distributed by

802 Cabinetry of Boston
353 Howard St, Brockton, MA 02302
www.802Cabinetry.com

**857-810-0888**

2

Distributed by

802 Cabinetry of Vermont
364 Swanton Rd, St Albans, VT 05478
www.802Cabinetry.com

**1-800-985-5931**

3

Distributed by

NEKB Supply Corp
2735 Shelburne Rd, Shelburne, VT 05482
www.nekbsupplycorp.com

**747-240-4469**

4

Distributed by

10% Cabinetry
7757 Union Centre Blvd, W Chester Town, OH 45069
www.10percentcabinetry.com

**513-297-2099**

5

Distributed by

Sunique International
2045 Westgate Dr, Ste130 Carrollton, TX 75006
www.suniquecabinetry.com

**972-245-3309**